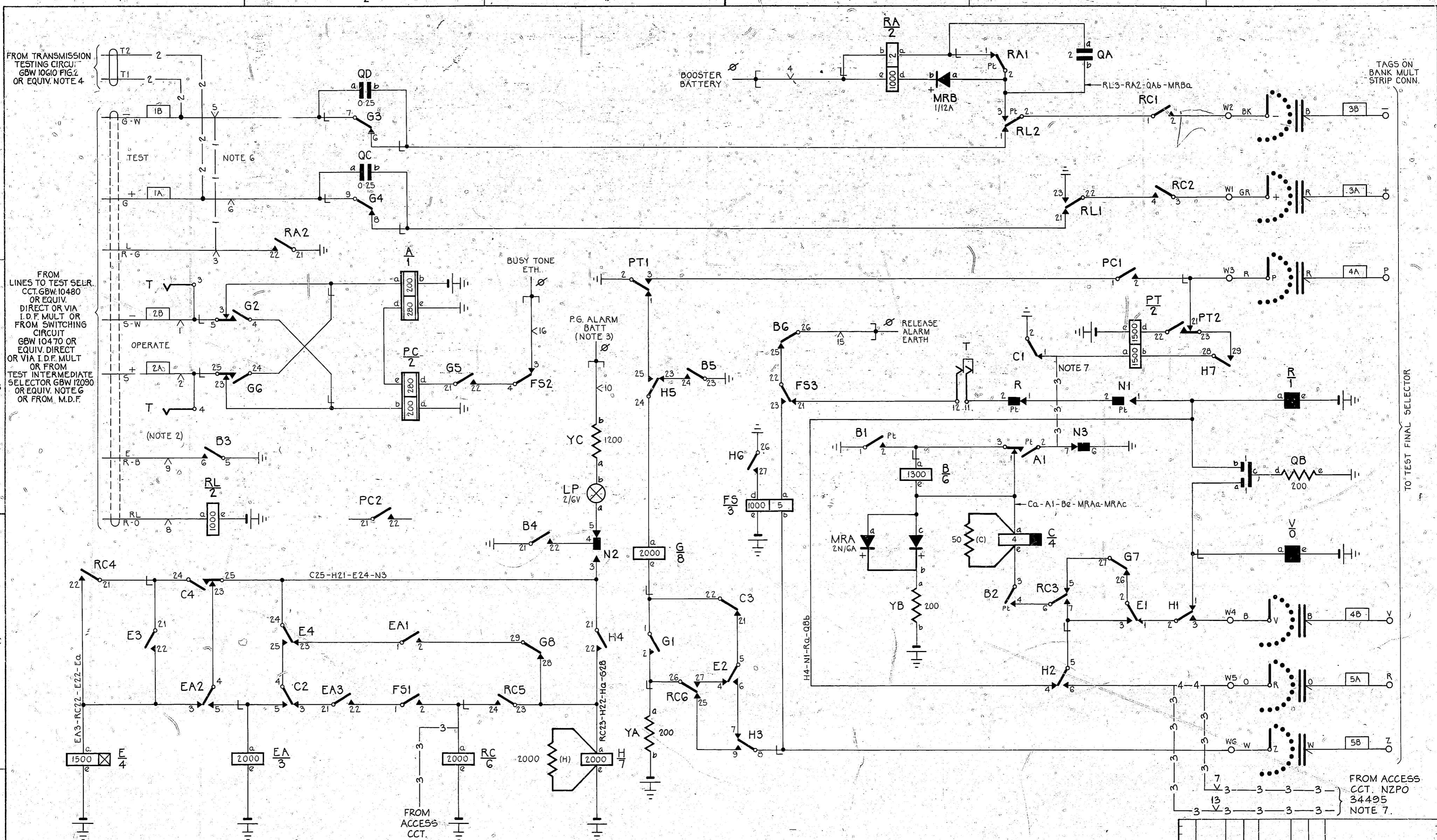


FROM TRANSMISSION TESTING CIRCUIT GBW 10610 FIG. 2 OR EQUIV. NOTE 4

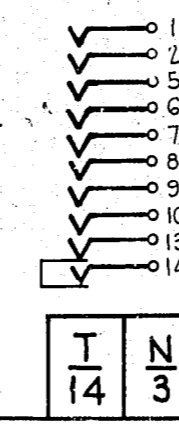
FROM LINES TO TEST SELR. CCT. GBW 10480 OR EQUIV. DIRECT OR VIA I.D.F. MULT. OR FROM SWITCHING CIRCUIT GBW 10470 OR EQUIV. DIRECT OR VIA I.D.F. MULT. OR FROM TEST INTERMEDIATE SELECTOR GBW 12090 OR EQUIV. NOTE 6 OR FROM M.D.F.



- NOTES:**
1. FUSING:-1.5A PER SELECTOR.
  2. LEAD 'E' NOT REQ'D: WHEN CCT. IS DIRECTLY CONNECTED TO GBW 10480 OR EQUIV.
  3. P.G. ALARM BATT. ONLY REQ'D: WHEN SELECTOR TERMINATES A JUNCTION.
  4. LEADS T1 & T2 ONLY REQ'D: WHEN NO LOCAL ACCESS TO TEST SELECTOR IS PROVIDED.
  5. Ø FOR WIRING SEE GBW 10640 OR EQUIV.
  6. WHEN CIRCUIT IS PRECEDED BY TEST INTERMEDIATE SELECTOR, 1/C LEADS ARE CONNECTED AS FOLLOWS:- & + (TEST), E - & + (OPERATE), RL FROM -, +, P, V, R, Z RESPECTIVELY OF INTERMEDIATE SELR. IN THIS CASE ADD STRAP BETWEEN U3 & U5.
  7. WHEN USED WITH NZPO 34495 :-  
A. PROVIDE WIRING SHOWN -3-3- AND OMIT WIRING SHOWN -4-4-  
B. V & Z LEADS ARE NOT CONNECTED ON ROTARY LEVELS.

**NOTE 7 CONT'D.**  
C. ON ROTARY LEVELS THE - + P & R LEADS OF ODD HUNDREDS OUTLETS ARE STRAPPED TO THE ASSOCIATED EVEN HUNDREDS OUTLETS.

BOOSTER BATT (W) U4-RAb-RAc  
BATT. (W) U1Z-RLe-FSe-EAe-Rce-He-YAb-YBb-Ab-PTe-Ee-Ve-Re.  
EARTH. (R): U11-RL23-RL21-C2-H2G-Ae-B21-B23-B1-B5-PT2-PCa-N6-QBe



1	2	3	4	5	6	7	8	9	10	11	12	13	14
SLOW RELEASE		SLOW OPERATE		50V		E							
<b>TEST SELECTOR</b>													

ISS	DATE	DEL	DC	ORDER	CKD	APD	CHANGE
DRN:	S-5	CKD	ORIGIN:	S-5			
TCD:	N.5	APPD	STANDARD:	ATW 22001			
NZPO ENGINEER-IN-CHIEF, WELLINGTON							
SHT 1 OF 1		SIZE A2		GBW 10461			

