

DISCRIMINATING SELR. REPEATER COIN BOX 200 OUTLET 2000 TYPE WITH OVERFLOW ROUTEING FACILITY			
WAS GBW 10430/1/2/3/4 MOD B (2500)		1	9-7-73 B.S.H.
AMENDMENT PARTICULARS		ISSUE DATE	APD
		SIZE	S 50V E
NZPO		DRAWN	CHECKED
		WIRING	ENGIN'RS
GBU 20190 20193 SHEET		20191 20194 1-3	
20192			

03

25

20

15

01

5

0

D.S.R. COIN BOX  
AS SEEN FROM REAR  
FIG 1A E I FOR IG

FIG 1A E I FOR IG

LEADS A-K (FIG 1B)  
OR A-S (FIG 1C OR 1D)  
FROM ASSOCIATED  
DISCRIMINATING  
RELAY SET CIRCUIT  
(WIRED AS REQUIRED  
IN ACCORDANCE  
WITH NUMBERING  
SCHEME)

TO VERTICAL  
BANK FRONT

TO ROUTINER  
ACCESS EQUIPMENT

FOR COLOURS SEE  
FIGS 1B, 1C OR 1D

LEADS X-Y (FIG 1B)  
OR T-ZA (FIG 1C) FROM  
ASSOCIATED  
DISCRIMINATING  
RELAY SET CIRCUIT  
(WIRED AS REQUIRED  
IN ACCORDANCE  
WITH NUMBERING  
SCHEME)

FROM UNISELECTOR  
VIA T.D.F. O/G OR I.D.F.  
LOCAL OR MULT.

FROM ASSOC'D 'RA' RELAY  
FROM BELL  
FROM JUNCTION  
OVER FLOW METER  
FROM SUPPLY VIA JACK  
FROM SUPPLY  
FROM ASSOC'D 'LA' RELAY  
FROM SUPPLY VIA JACK  
FROM SUPPLY VIA JACK  
FROM SUPPLY VIA JACK

TO ROUTINER  
ACCESS EQUIPMENT

TO TRAFFIC REC'DR  
STRIP CONN

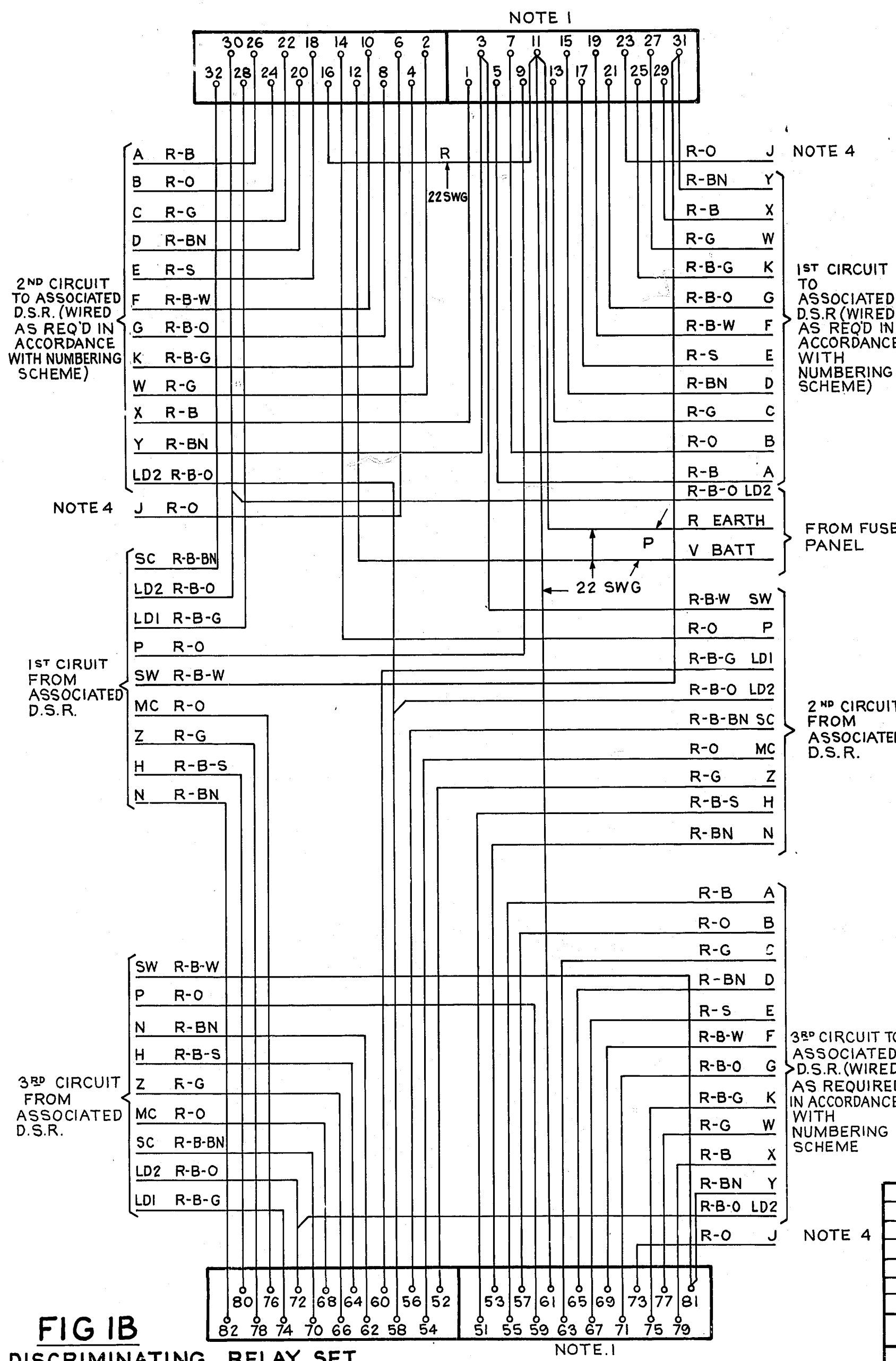
FROM FUSE PANEL

TO ASSOCIATED  
JUNCTION HUNTER

TO ASSOCIATED  
RELAY SET CIRCUIT

NOTES:-  
1-1 U9 & U11 TO MAKE CONTACT WHEN SELECTOR IS REMOVED  
1-2 COLOUR FOR 1<sup>ST</sup> PAIR OF SHELVES R-O. COLOUR FOR 2<sup>ND</sup> PAIR OF SHELVES R-G  
1-3 ALL WIRE TO BE 25 SWG. UNLESS OTHERWISE  
1-4 THESE COLOURS APPLY ONLY WHEN SELECTOR IS USED  
IN CONJUNCTION WITH FIG 1C OR 1D RELAY SETS. WHEN USED WITH  
FIG 1B SEE GBW 20190/1/2/3/4 FIG 1B FOR COLOURS OF THESE LEADS.  
1-5 ON SOME EARLY EQUIPMENT BATTERY WIRING IS BLACK.

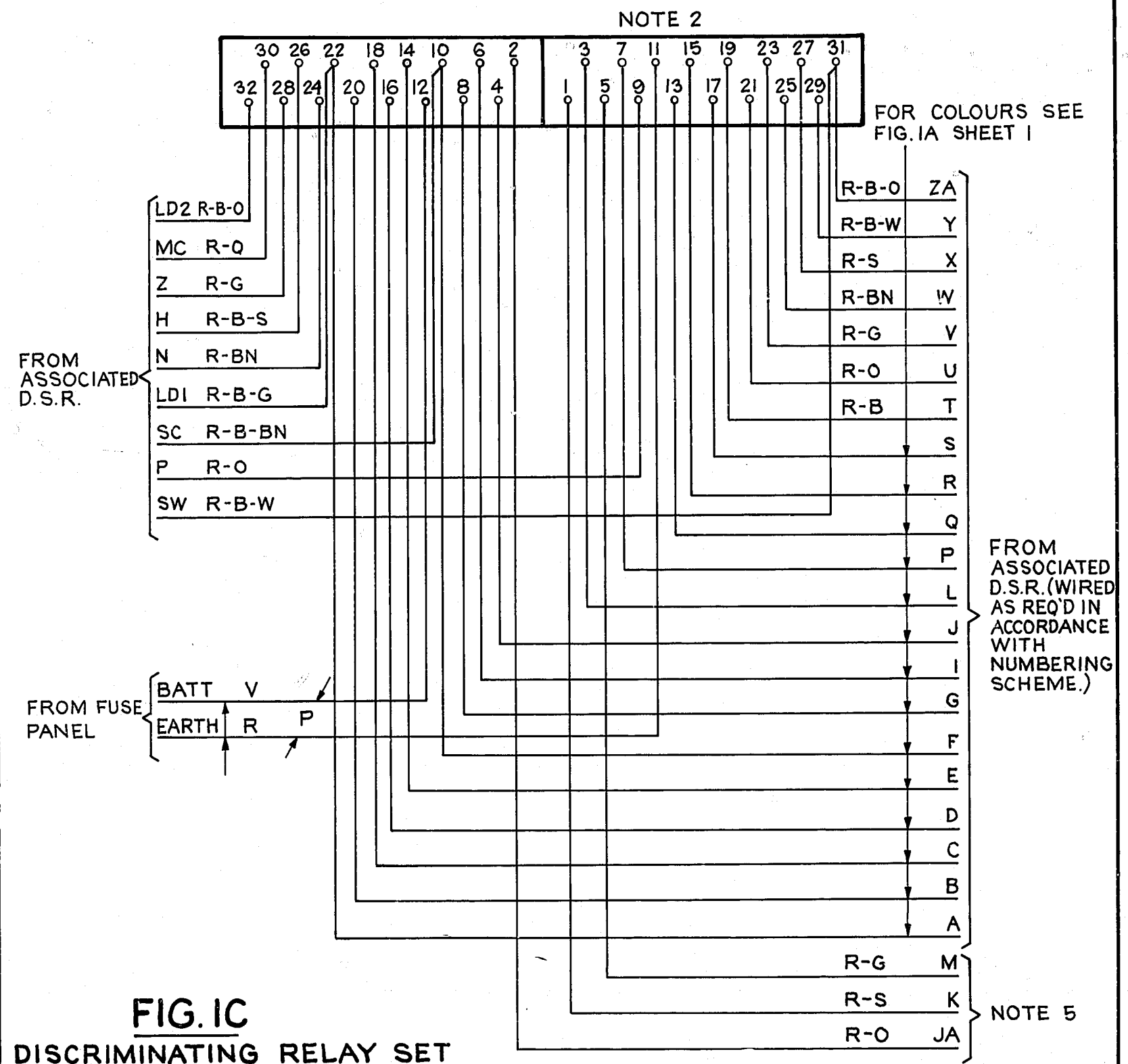
AS SEEN FROM REAR



**FIG. IB**  
**DISCRIMINATING RELAY SET**

ABSORBS 1<sup>ST</sup> DIGIT. DISCRIMATES ON 1<sup>ST</sup> & 2<sup>ND</sup>

AS SEEN FROM REAR



**FIG. IC**  
**DISCRIMINATING RELAY SET**

ABSORBS 1<sup>ST</sup> & 2<sup>ND</sup> DIGITS. DISCRIMATES ON 1<sup>ST</sup>, 2<sup>ND</sup> & 3<sup>RD</sup>

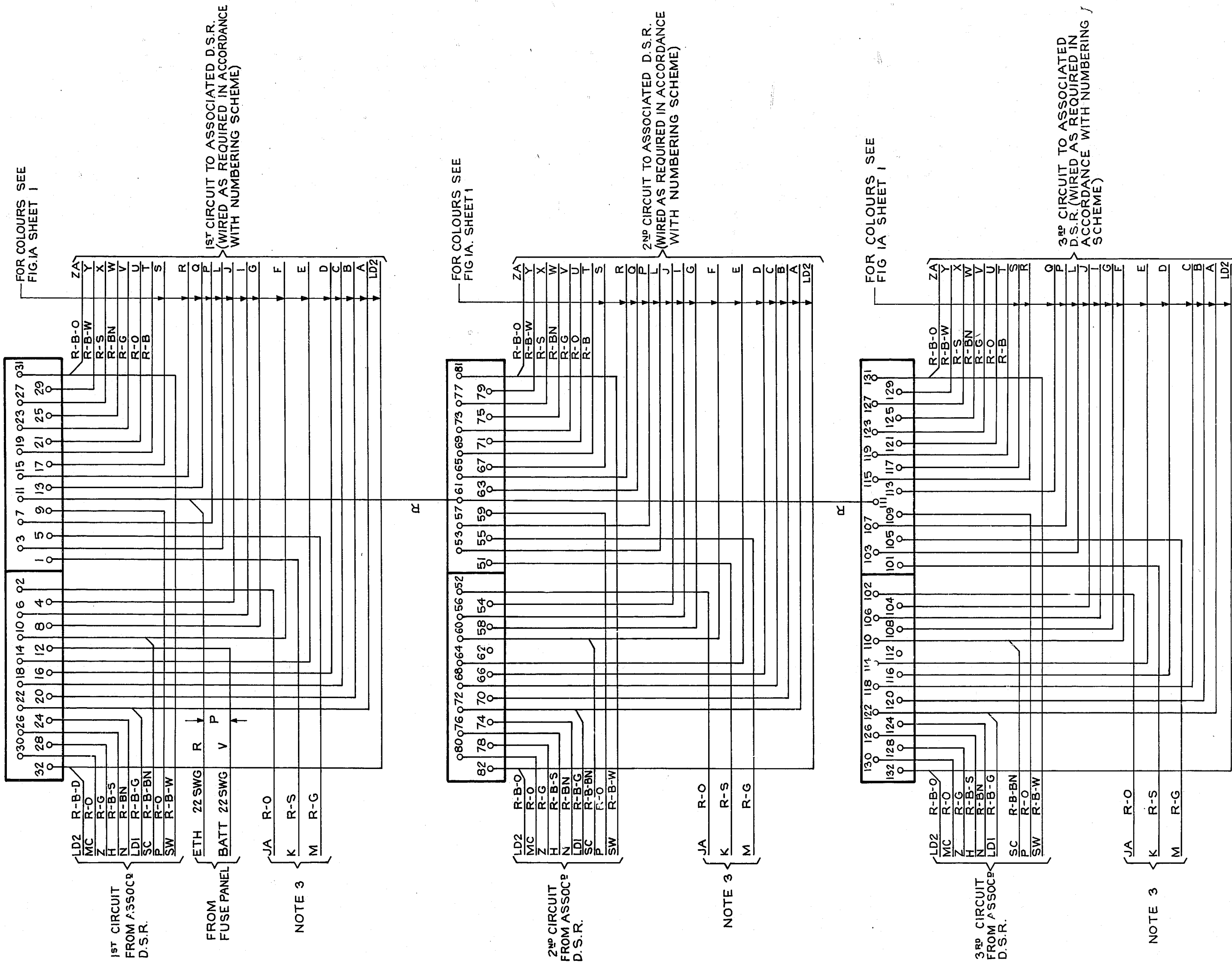
(ONE CIRCUIT PER BASE)

**NOTES:-**

- 2-1 JACK POINTS U9 & 11, U14 & 16 AND U59 & 61 (FIG. 1B) TO MAKE CONTACT WHEN RELAY SET IS REMOVED.
- 2-2 JACK POINTS U9 & 11 (FIG. 1C) TO MAKE CONTACT WHEN RELAY SET IS REMOVED
- 2-3 ALL WIRING TO BE 25 SWG UNLESS OTHERWISE SPECIFIED
- 2-4 LEAD J (FIG. 1B) IS LOOPED TO POINT ON SAME SHELF JACK AS REQUIRED IN ACCORDANCE WITH NUMBERING SCHEME
- 2-5 LEADS M, K & JA (FIG. 1C) ARE LOOPED TO POINTS ON SAME SHELF JACK AS REQUIRED IN ACCORDANCE WITH NUMBERING SCHEME.
- 2-6 ON SOME EARLY EQUIPMENT BATTERY WIRING IS BK

				<b>DISCRIMINATING SELFR REPEATER COIN BOX 200 OUTLET 2000 TYPE WITH OVERFLOW ROUTEING FACILITY</b>			
WAS GBU 10430/1/2/3/4 MOD B (2500)				1	9-7-73	B.S.H.	
AMENDMENT PARTICULARS				ISSUE	DATE	APD	SIZE <b>S</b> 50 V E
N Z P O				M	DRAWN	CHECKED	WIRING ENGRS
				GBU 20190 20193		SHEET 2-3	
				20191 20194			
				20192			

AS SEEN FROM REAR



**NOTES**

- 3-1 ALL WIRING TO BE 25 SWG UNLESS OTHERWISE SPECIFIED
- 3-2 JACK POINTS U9 & U11, U59 & U61, U109 & U111 TO MAKE CONTACT WHEN RELAY SET IS REMOVED
- 3-3 LEADS MK & JA ARE LOOPED TO POINTS ON SAME SHELF JACK AS REQUIRED IN ACCORDANCE WITH NUMBERING SCHEME
- 3-4 ON SOME EARLY EQUIPMENT BATTERY WIRING IS BK.

**FIG. 1D**  
DISCRIMINATING RELAY SET

ABSORBS 1<sup>ST</sup> & 2<sup>ND</sup> DIGIT  
DISCRIMINATES ON 1<sup>ST</sup>, 2<sup>ND</sup>  
& 3<sup>RD</sup> (3 CIRCUITS PER BASE)

				DISCRIMINATING SEL'R REPEATER COIN BOX	
				200 OUTLET 2000 TYPE WITH OVERFLOW ROUTING FACILITY.	
WAS GBU 10430/1/2/3/4 MOD.B (2500)		1	9-7-73	B.S.H.	
AMENDMENT PARTICULARS			ISSUE	DATE	APD
			SIZE	S	50V E
			20190	20193	SHEET
			20191	20194	3-3
			20192		

N I Z P O I DRAWN CHECKED WIRING CIRCUIT

Centimetres

0 5 10 15 20 25 30 35 40