

5 Centimetres

10

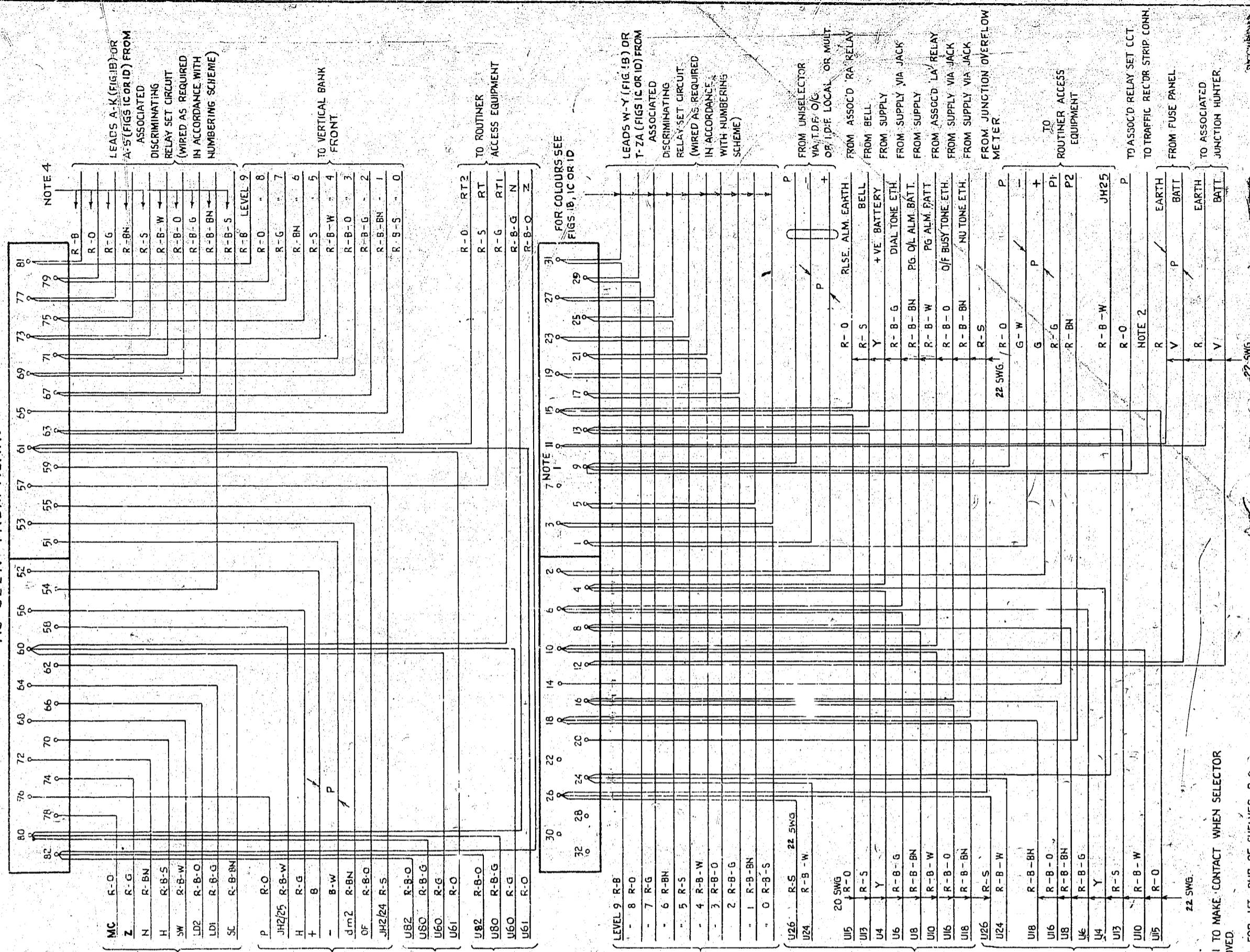
15

20

25

30

FIG. 1A. E. FOR IG.
D.S.R. REGULAR & PARTY LINE.
AS SEEN FROM REAR.



- MC R-O
- Z R-G
- N R-BN
- H R-B-S
- 3W R-B-W
- LD2 R-B-O
- LD1 R-B-G
- SE R-B-BN
- P R-O
- JH2/25 R-B-W
- H R-G
- B B-W
- dm2 R-BN
- OF R-B-O
- JH2/24 R-S
- UB2 R-B-O
- USO R-B-G
- UGO R-G
- UG1 R-O
- UB2 R-B-O
- USO R-B-G
- UGO R-G
- UG1 R-O

TO ASSOCIATED RELAY SET CIRCUIT

TO ASSOCIATED JUNCTION HUNTER

MULT TO OTHER JACKS ON SHELF

MULT TO OTHER SHELVES ON RACK

- LEVEL 9 R-B
- 8 R-O
- 7 R-G
- 6 R-BN
- 5 R-S
- 4 R-B-W
- 3 R-B-O
- 2 R-B-G
- 1 R-B-BN
- 0 R-B-S
- U26 R-S 22 SWG
- U24 R-B-W
- U15 20 SWG R-O
- U13 R-S
- U4 Y
- U5 R-B-G
- U8 R-B-BN
- U10 R-B-W
- U16 R-B-O
- U18 R-B-BN
- U25 R-S
- U24 R-B-W
- U18 R-B-BN
- U16 R-B-O
- U8 R-B-BN
- U6 R-B-G
- U4 Y
- U10 R-S
- U10 R-B-W
- U10 R-O

TO VERTICAL BANK REAR

MULT TO OTHER JACKS ON SHELF

MULT TO OTHER SHELVES ON RACK

MULT TO NEXT SHELF

NOTES.

1. U9 & U11 TO MAKE CONTACT WHEN SELECTOR IS REMOVED.

2. COLOUR FOR 1st. PAIR OF SHELVES R-O R-G

3. ALL WIRE TO BE 23 SWG UNLESS OTHERWISE SPECIFIED

4. THESE COLOURS APPLY ONLY WHEN SELECTOR IS USED IN CONJUNCTION WITH RELAY SET TO GBW 10420/1/2/3/4 MOD B (2498) OR GBW 10422/2/3/4 MOD B (2498) WHEN USED WITH FIG 1B SEE GBW 10420 FIG 1B FOR COLOURS OF THESE LEADS

WAS GBU 10420/1/2/3/4 MOD B (2498)	9-7-73	B5H
AMENDMENT PARTICULARS	ISSUE	DATE APPD.
N.Z. P.O.	DRAWN	CHECKED
	WIRED	ENGINEER

DISCRIMINATING SELF REPEATER
REGULAR & PARTY LINE
200 OUTLET 2000 TYPE
WITH OVERFLOW ROUTING FACILITY

GBU 20180 20183
20181 20184
20182

SHEET 1-3

50V F

5. ON SOME EARLY EQUIPT. NEG BATT WIRING IS BK AND POS. BATT WIRING IS R-B.

5 Centimetres

AS SEEN FROM REAR

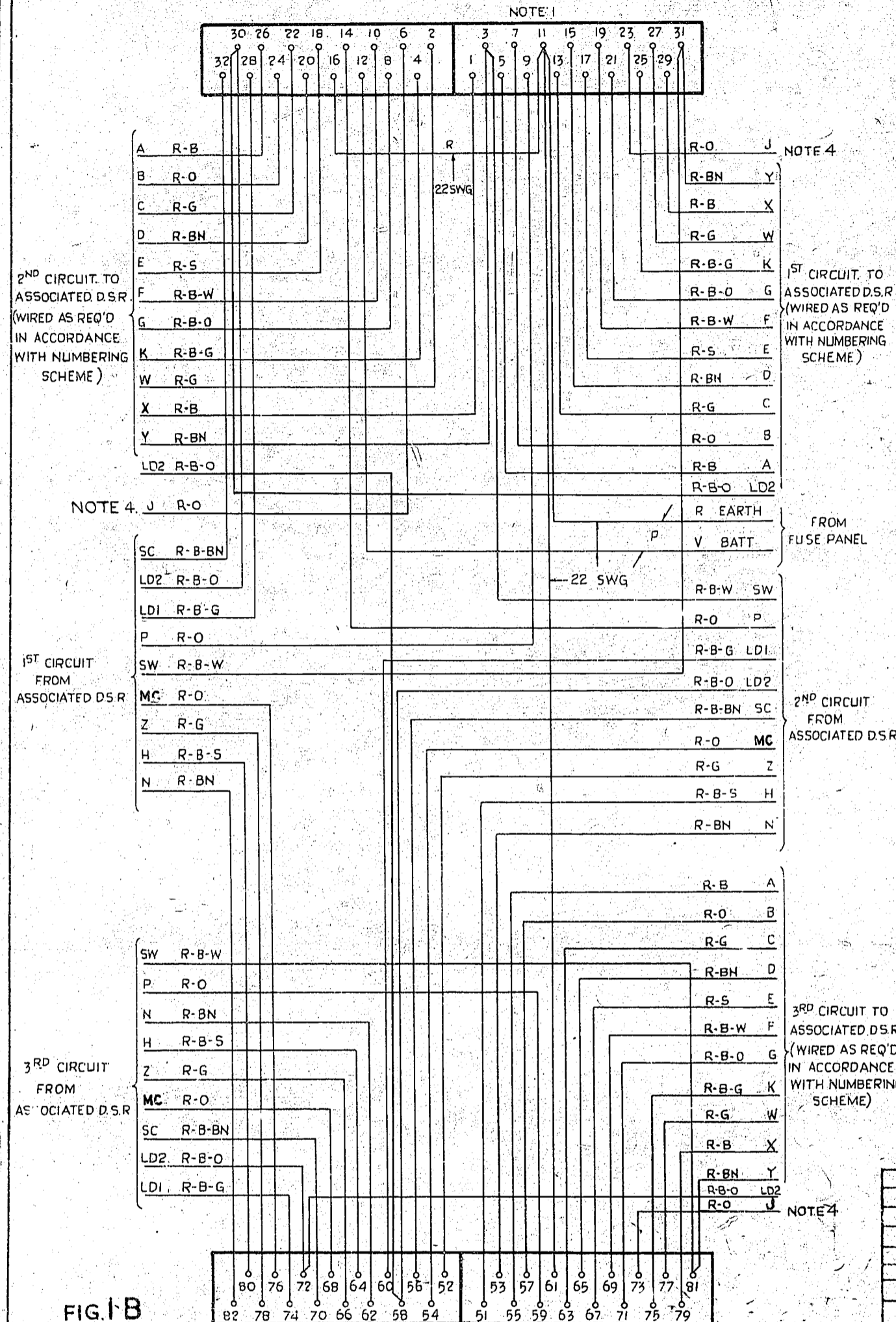


FIG. 1B
DISCRIMINATING RELAY SET.
ABSORBS 1ST DIGIT. DISCRIMINATES ON 1ST & 2ND

AS SEEN FROM REAR

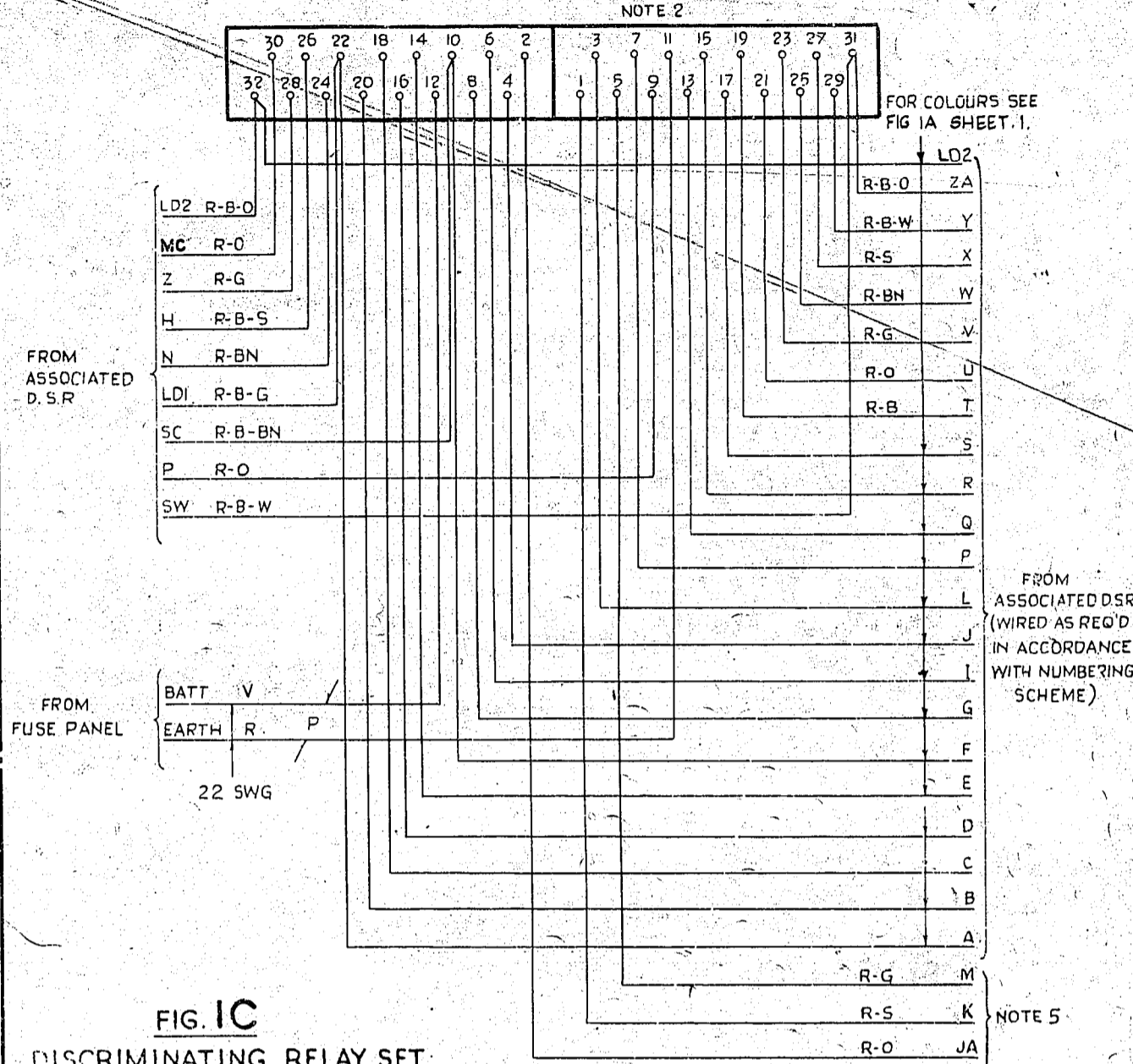


FIG. 1C
DISCRIMINATING RELAY SET.
ABSORBS 1ST & 2ND DIGITS. DISCRIMINATES ON 1ST, 2ND & 3RD
(ONE CIRCUIT PER BASE)

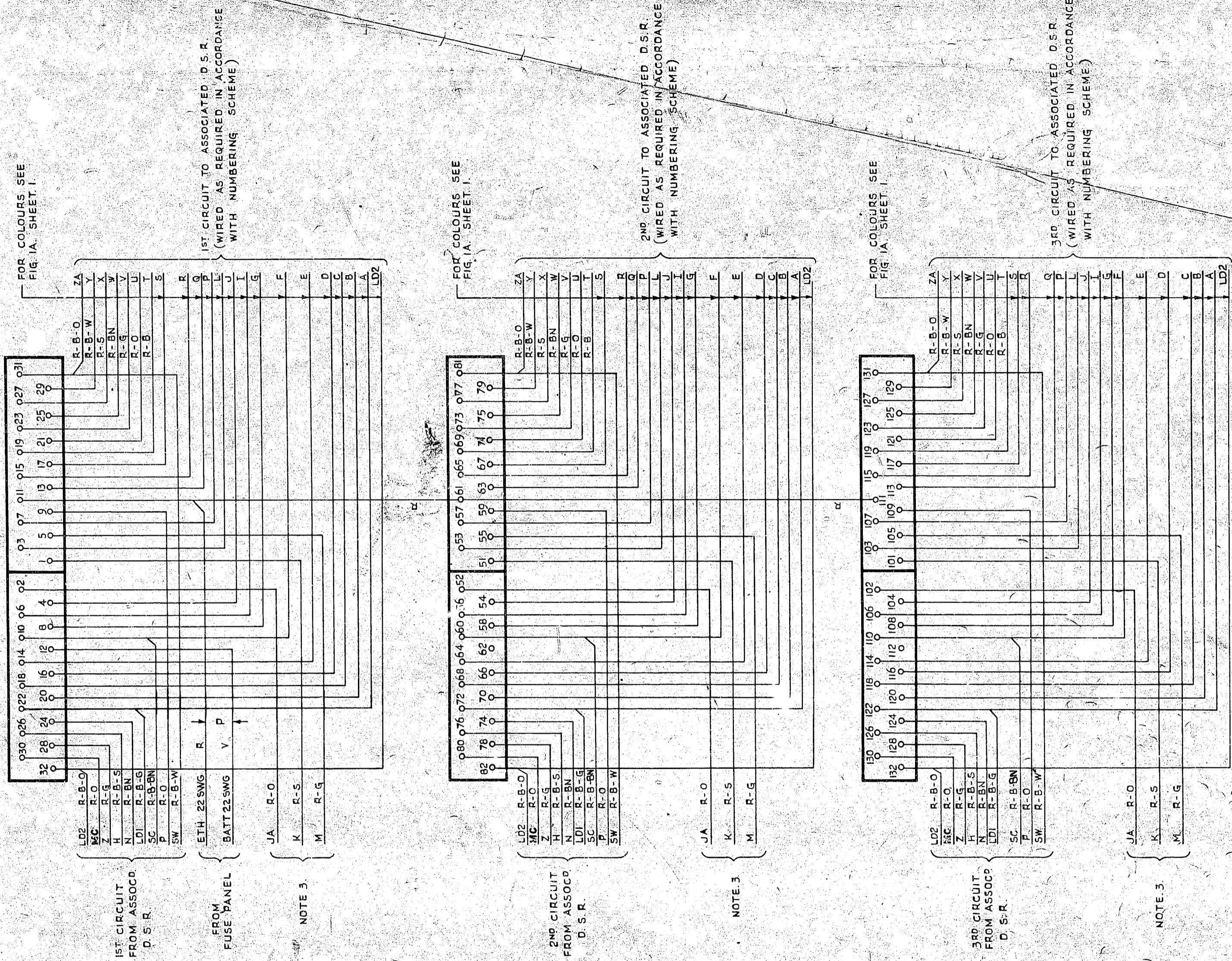
NOTES

- JACK POINTS U9 & 11 U14 & 16 AND U59 & 61 (FIG 1B) TO MAKE CONTACT WHEN RELAY SET IS REMOVED.
- JACK POINTS U9 11 (FIG 1C) TO MAKE CONTACT WHEN RELAY SET IS REMOVED.
- ALL WIRING TO BE 25 SWG UNLESS OTHERWISE SPECIFIED.
- LEAD J (FIG 1B) IS LOOPED TO POINT ON SAME SHELF JACK AS REQUIRED IN ACCORDANCE WITH NUMBERING SCHEME.
- LEADS M, K & JA (FIG 1C) ARE LOOPED TO POINTS ON SAME SHELF JACK AS REQUIRED IN ACCORDANCE WITH NUMBERING SCHEME.
- ON SOME EARLY EQUIPMENT WIRING IS BK.

DISCRIMINATING SELR REPEATER				REGULAR & PARTY LINE		200 OUTLET 2000 TYPE		WITH OVERFLOW ROUTEING FACILITY	
W:5 GBU 10420/1/2/3/4 MOD 6 (2458)				1		9-7-73 BSH		50V E	
AMENDMENT PARTICULARS				ISSUE		DATE		APP'D	
N.Z. P.O.				DRAWN		CHECKED		WIRING ENGINEER	
GBU				20180		20183		SHEET 2-3	
				20181		20184			
				20182					

0 5 Centimetres 10 15 20 25 30

AS SEEN FROM REAR.



NOTES:-

1. ALL WIRING TO BE 25 SWG UNLESS OTHERWISE SPECIFIED.
2. JACK POINTS U9 & U11, U59 & U61, U109 & U111 TO MAKE CONTACT WHEN RELAY SET IS REMOVED.
3. LEADS M, K & JA ARE LOOPED TO POINTS ON SAME SHELF JACK AS REQUIRED IN ACCORDANCE WITH NUMBERING SCHEME.
4. ON SOME EARLY EQUIPMENT BATTERY WIRING IS BK.

FIG. 1D
DISCRIMINATING RELAY SET.

ABSORBS 1ST & 2ND DIGIT.
DISCRIMINATES ON 1ST, 2ND & 3RD
(3 CIRCUITS PER BASE.)

DISCRIMINATING SELF REPEATER REGULAR & PARTY LINE 200 OUTLET 2000 TYPE WITH OVERFLOW ROUTING FACILITY			
WAS GBU 10420/1/2/3/4 MOD B (2498)	1	6-7-73	BSH
AMENDMENT PARTICULARS	ISSUE	DATE	APPD.
N.Z. P.O.	DRAWN	CHECKED	WIRING
			CIRCUIT.
GBU		20180	20183
		20181	20184
		20182	
SHEET			3-3.