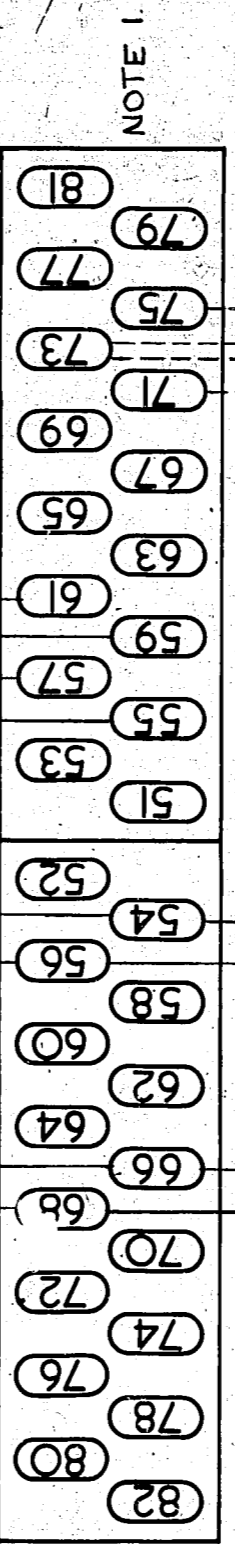
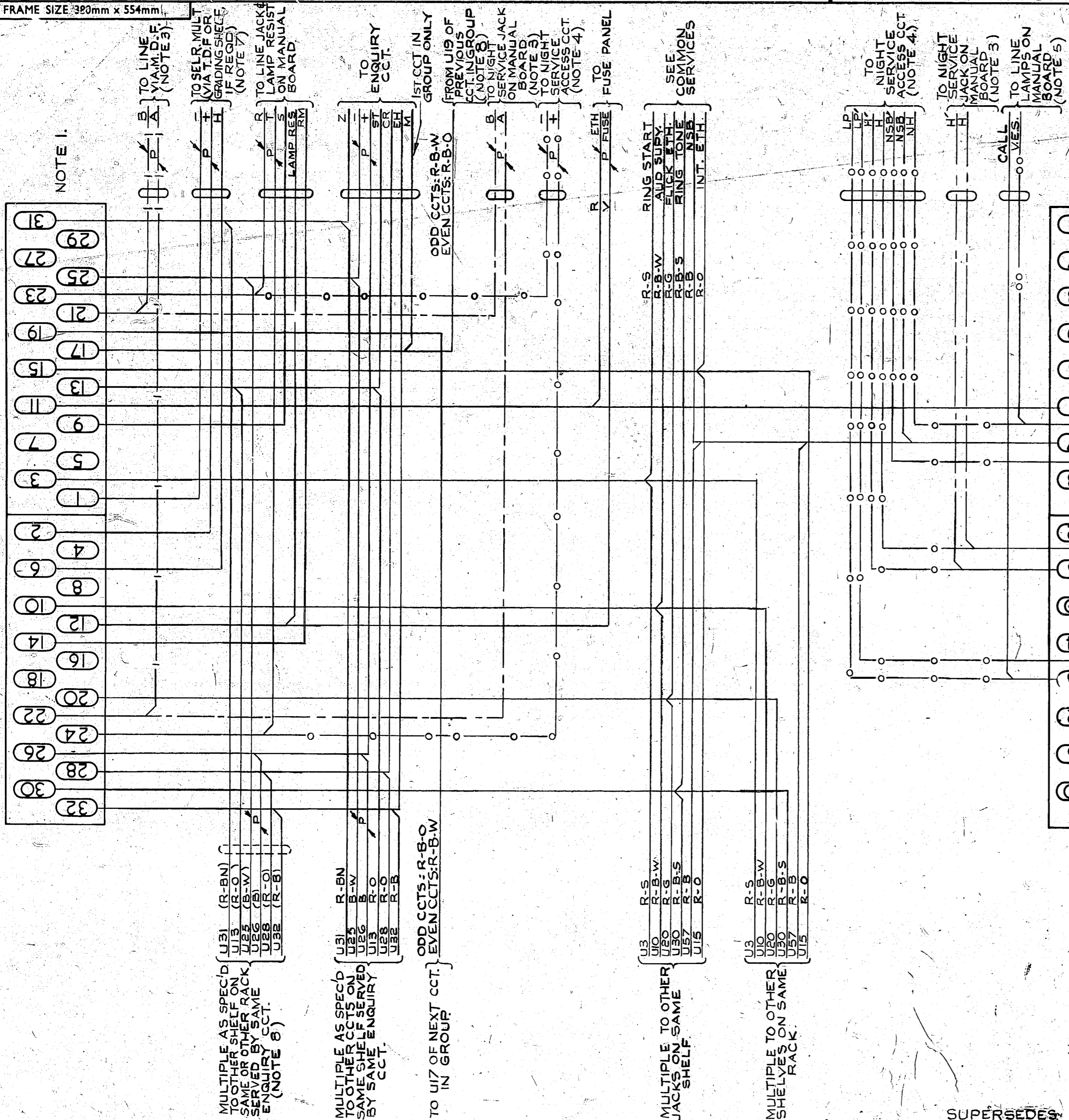
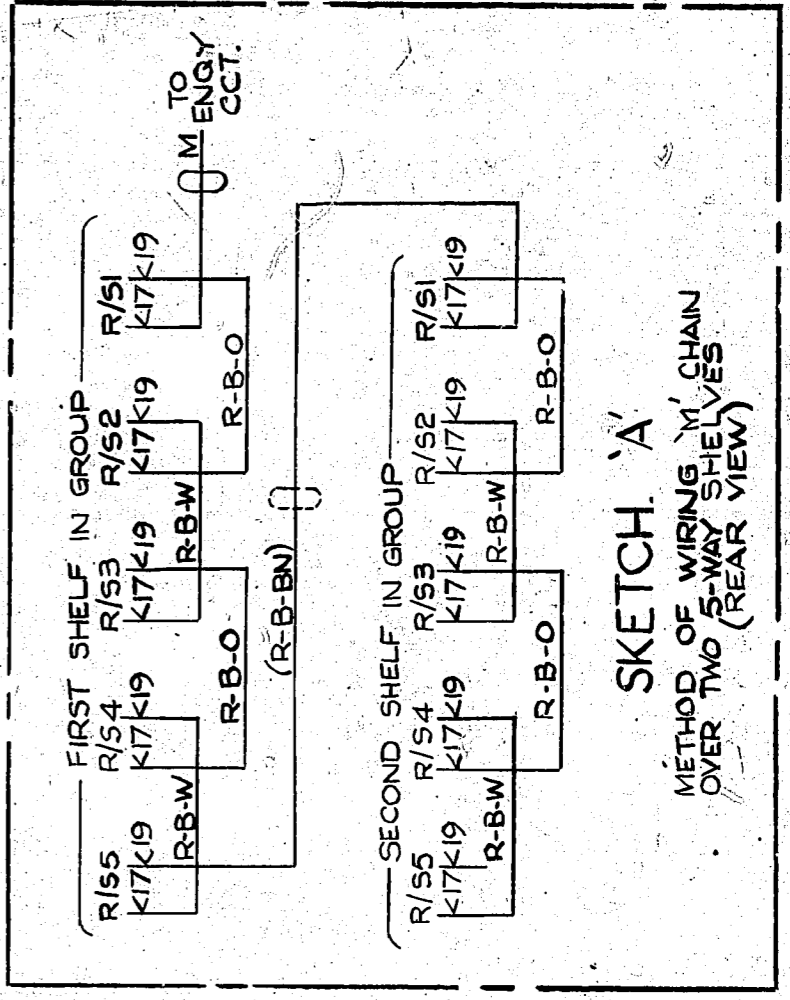


AS SEEN FROM REAR



- NOTES**
1. SHELF JACK POINTS U9 - U11, U17 - U19 & U59 - U61 MAKE CONTACT WHEN RELAY SET IS REMOVED
 2. ALL WIRING BEARING A COLOUR CODE TO BE 0.7 M/M UNLESS OTHERWISE SHOWN
 3. ON CIRCUITS WITH DIRECT EXTENSION NIGHT SERVICE CUT STRAP SHOWN OMIT CABLEING SHOWN AND ADD CABLEING SHOWN
 4. ON CIRCUITS ASSOCIATED WITH NIGHT SERVICE ACCESS CCT. CUT STRAPS SHOWN X & ADD CABLEING SHOWN
 5. WHEN VISUAL ENGAGED SIGNAL IS REQUIRED ON MANUAL BOARD, ADD CABLEING SHOWN
 6. WHEN IMMEDIATE BUSY FACILITY IS REQUIRED STRAP U73 - U75 FOR PUBLIC EXCHANGE WITH RETURN EARTH OR STRAP U71 - U73 FOR PUBLIC EXCHANGE WITH RING RETURN BATTERY
 7. ON INCOMING EXCHANGE LINES, OMIT CABLEING TO SELECTOR MULT.
 8. THE NORMAL RATE OF PROVISION IS ONE ENQUIRY CCT PER 10 EXCHANGE LINES & THE LATTER MAY BE EQUIPPED ON SHELVES WITH CAPACITY FOR 5 OR 10 RELAY SETS. WHEN EQUIPPED ON 5-WAY SHELVES, SHELF JACK POINTS U13, U25, U26, U31 & U32 SHALL BE COMMONED OVER TWO SHELVES, AND THE 'M' CHAIN WIRED AS SHOWN IN SKETCH 'A'



SUPERSEDES GBW 15220

A2	DRAWN	ENGR.
A3	CHECK'D	ENG. DIV.

EXCHANGE LINE
CIRCUIT
50/1200 LINE P.A.B.X.

REFERENCES	50 V W
SIZE	M