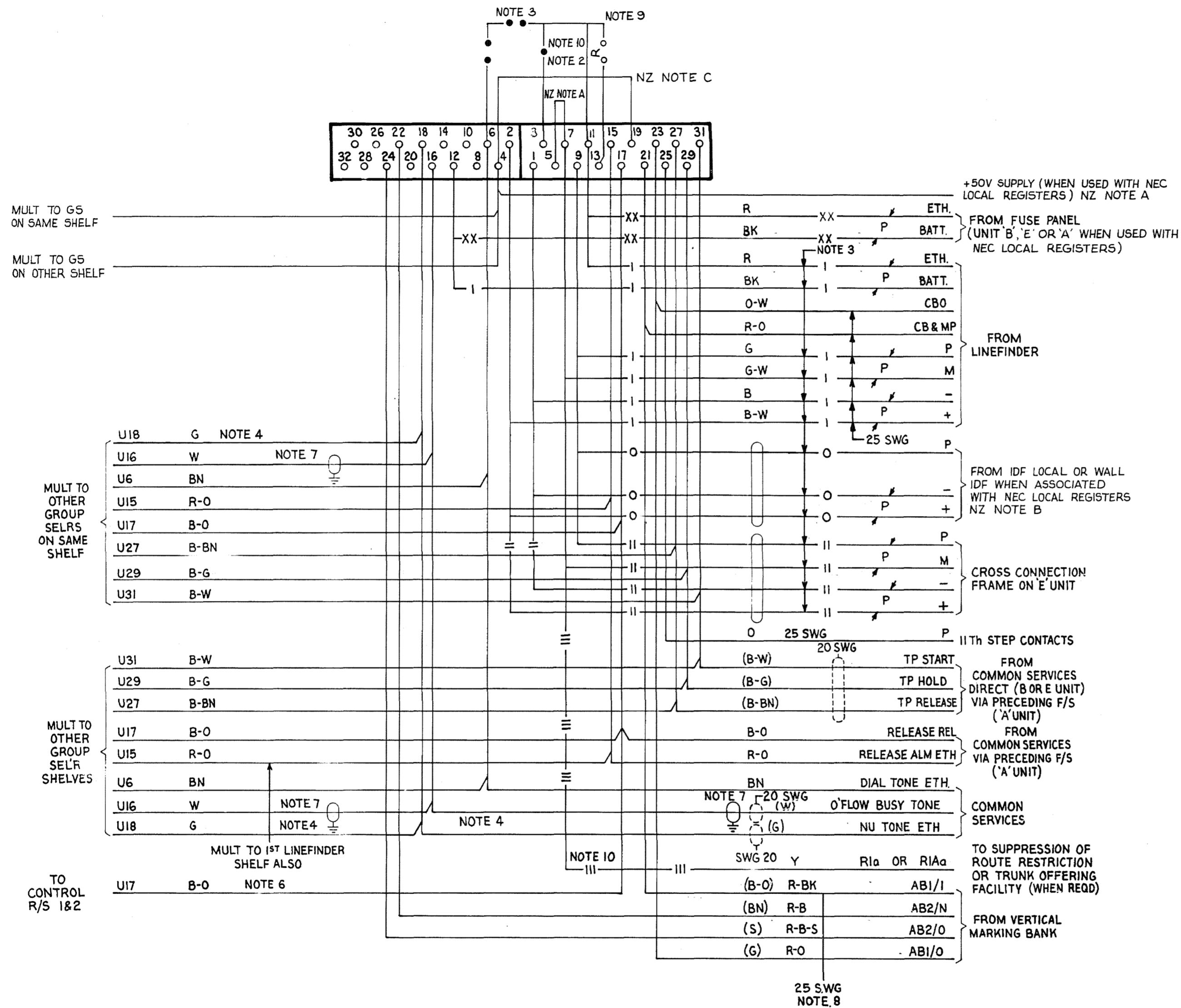


AS SEEN FROM REAR



NZ NOTES:

- A. WHEN USED IN CONJUNCTION WITH NEC LOCAL REGISTERS PROVIDE WIRING U4 STRAP U5-U7 ON INCOMING JUNCTIONS TO PROVIDE TRUNK OFFERING WIRING -III- ASSOCIATED WITH U7 NOT PROVIDED WHEN NZ NOTE A APPLIED.
- B. WHEN GROUP SELECTOR USED IN CONJUNCTION WITH NEC LOCAL REGISTER SYSTEM, PROVIDE WIRING SHOWN -O-O-
- C. WHEN CONTROL OF ROUTE RESTRICTION REQUIRED WITH LRS STRAP U4-U19.

NOTES:-

- 1 UNLESS OTHERWISE SPECIFIED ALL WIRING TO BE 22 SWG.
- 2 SHELF JACK U POINTS 9 & 11 TO MAKE CONTACT WHEN SELECTOR IS REMOVED.
- 3 WHEN GROUP SELECTOR IS ASSOCIATED WITH LINEFINDER USE WIRING SHOWN THUS -I-I- WHEN USED AS A 1ST SELECTOR DIRECTLY CONNECTED TO A JUNCTION (IE NO PRECEDING R/S) USE WIRING SHOWN THUS -O-O- WHEN USED AS A 2ND GROUP SELECTOR CONNECTED TO A 1ST GROUP SELECTOR USE WIRING SHOWN THUS -II-II-
- 4 WHEN USED WITH UNIT B THESE LEADS TO BE COLOURED BLACK.
- 5 ON GROUP SELECTORS ASSOCIATED WITH LINE FINDERS DIAL TONE IS PROVIDED. ON OTHER GROUP SELECTORS STRAP U6 TO U11.
- 6 THIS CONNECTION APPLIES ONLY TO GROUP SELECTOR N°1 SHELF E
- 7 THE SCREENED COMMONS SHALL BE BONDED TO FORM AN ELECTRICALLY CONTINUOUS SCREEN
- 8 ON SOME EARLIER EQUIPMENTS COLOURS SHOWN IN BRACKETS ARE USED.
- 9(a) WHEN SELECTOR IS USED AS A 1ST SELECTOR DIRECTLY CONNECTED TO A LINEFINDER OR USED AS A LOCAL 2ND SELR, STRAP U11-U13 IS PROVIDED. THIS STRAP MUST BE PROVIDED INITIALLY FOR ALL 'A' UNITS
- (b) WHEN SELECTOR IS USED FOR CONNECTION DIRECTLY TO AN I/C JUNCTION, REMOVE STRAP U11-U13 -O-O-
- 10 WHEN SELECTOR IS USED TO TERMINATE AN INCOMING JUNCTION (IE NO INCOMING JUNCTION RELAY SET IS PROVIDED) THE FOLLOWING CONDITIONS APPLY :-
 - (a) WHEN TRUNK OFFERING IS REQUIRED, PROVIDE WRG-III- TO R1a & DELETE STRAP U3-U11
 - (b) WHEN CONTROL OF ROUTE RESTRICTION ONLY IS REQUIRED PROVIDE WIRING -III- TO R1a & DEL STRAP U3-U11. IN ALL OTHER CASES OMIT CONNECTION SHOWN -III- AND ADD STRAP U3-U11
 - (c) REFER NZ NOTE A

NZ NOTE C ADDED	(55865)	4C	23-3-76	CJW
NZ NOTES A & B ADDED	(55577)	4B	18-12-75	CJW
RETRACED FROM ISS 4 ON 'S' SIZE SHT. NOTE 9A ADDED (99979)		4A	3-9-73	BS-H
NOTE 10 & U7 ALTERNATIVE CONNECTIONS REVISED (20813)		4	2-12-69	RW
NOTE 10 & NEW NOTE 9 ADDED. ALTERNATIVE CONNS. REVISED (83031)		3	14-8-64	JPL
NOTE 5 AND NOTES 8 & 9 AND ASSOCIATED INFORMATION ADDED		2		
AMENDMENT PARTICULARS		ISSUE DATE	APP'D	SIZE A2 50' H
NZPO	DRAWN J.W.S.	CHECKED	WIRING CIRCUIT	GBU 15960

UAX NZ No 13
GROUP SELECTOR
(2000 TYPE)