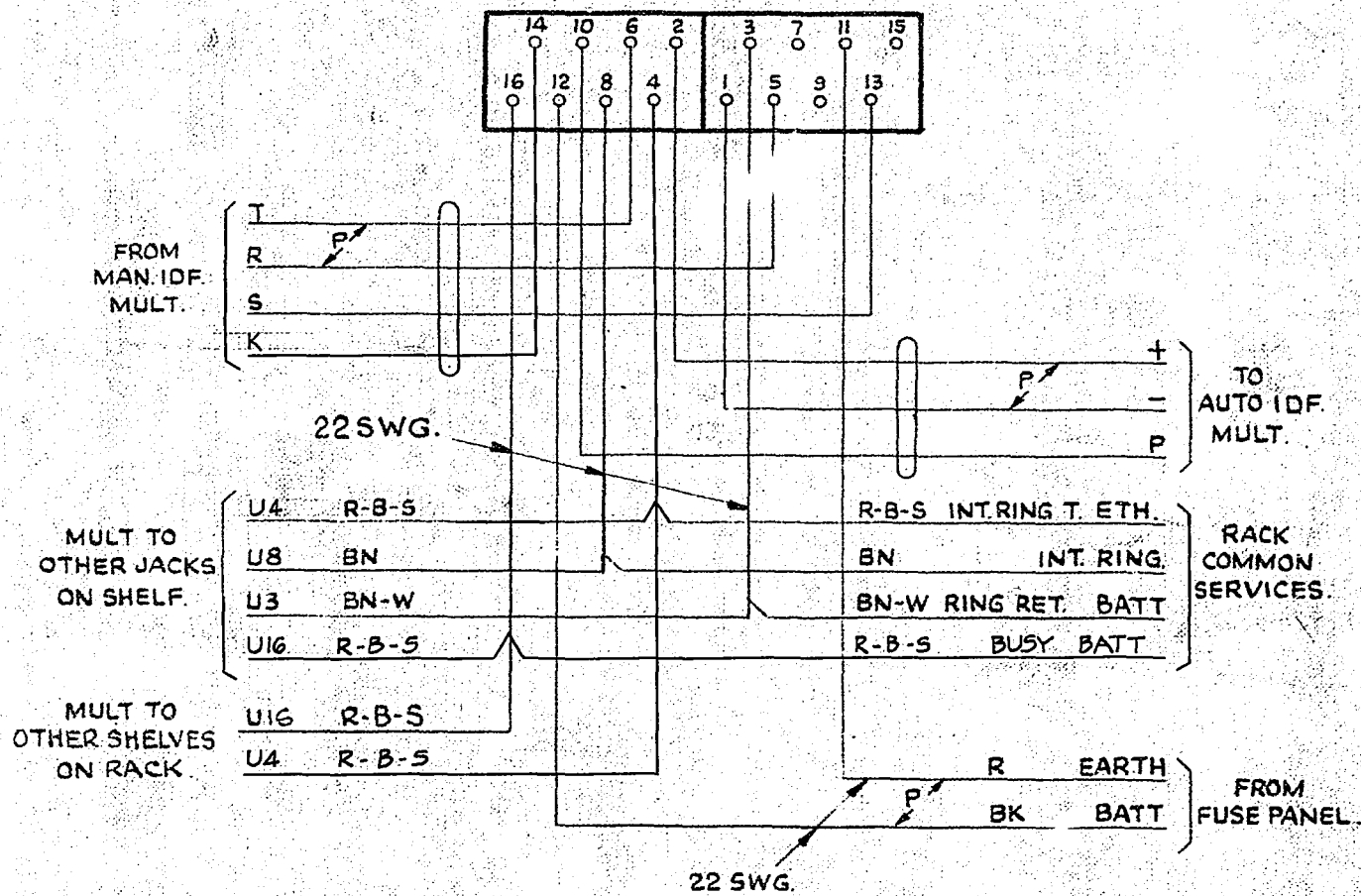


0
5 Centimetres
10
15
20
25
30

AS SEEN FROM REAR



NOTES.

1. ALL WIRING TO BE 25 SW.G. UNLESS OTHERWISE SPECIFIED.
2. JACK POINTS 9 & 11, 14 & 16 TO MAKE CONTACT WHEN RELAY SET IS REMOVED.

| | | | | | |
|-------------------------------------------------|-----------------|----------------|-------------------|---------------------------------------------------------------------------------------------------|----------|
| | | | | EMERGENCY SERVICE RELAY SET. DIRECT OR JOINT ACCESS W.E. TOLL BOARD. (BRIDGE CONTROL) | |
| K LEAD & BUSY BATT ADDED NOTE 2 REVISED (48474) | | | | 2 | 14-11-61 |
| (34070) | | | | 1 | 29-8-60 |
| AMENDMENT PARTICULARS | | | | ISSUE | DATE |
| | | | | APPD | 50V. W |
| NZPO | | | | GBU 15610 | |
| DRAWN A.S.L. | CHECKED A.L. | WIRING H.P. | CIRCUIT K.E.W. | | |