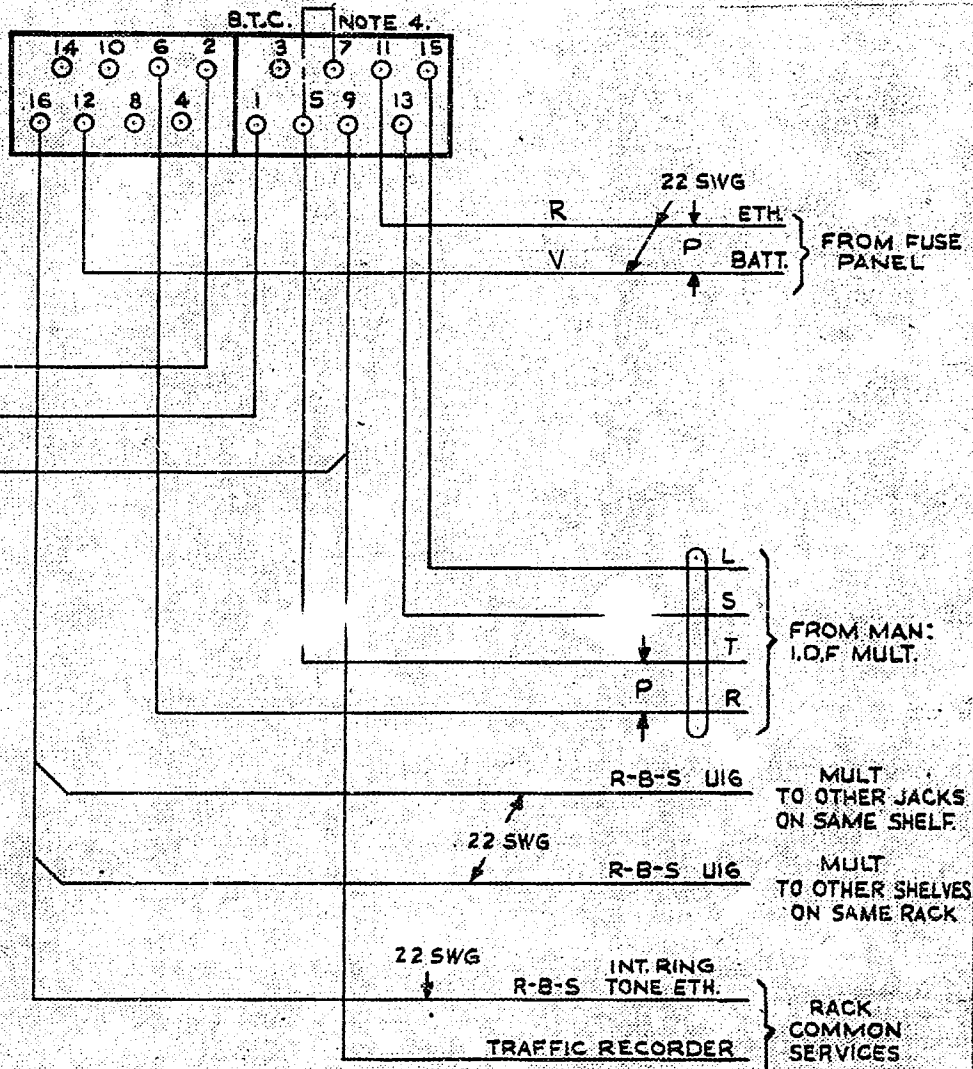


AS SEEN FROM REAR.



**NOTES.**

1. ALL WIRING NOT OTHERWISE SPECIFIED TO BE 25 SWG.
2. U9 & U11 MAKE CONTACT WHEN RELAY SET IS REMOVED.
3. WHEN THIS CIRCUIT TERMINATES A JUNCTION THE P WIRE IS NOT CABLED
4. WHEN FIG.1B IS USED, TO CONTROL PAD SWITCHING, STRAP U5-U7 WHEN THE ASSOCIATED JUNCTION IS UNDER 3d B.

- R-O 1<sup>ST</sup> PAIR OF SHELVES.
- R-G 2<sup>ND</sup> PAIR OF SHELVES.
- R-BN 3<sup>RD</sup> PAIR OF SHELVES.
- R-S 4<sup>TH</sup> PAIR OF SHELVES.
- R-B-W 5<sup>TH</sup> PAIR OF SHELVES.
- R-BK 6<sup>TH</sup> PAIR OF SHELVES.

|                                                |            |          |                |
|------------------------------------------------|------------|----------|----------------|
| NOTE 4 AMENDED (8777)                          | 7          | 10.12.68 |                |
| NOTE 4 AMENDED & BATTERY COLOURS ADDED (83934) | 6          | 25.8.67  |                |
| REFERENCE ADDED, 6TH PAIR OF SHELVES (94467)   | 5          | 14.1.66  |                |
| REDRAWN, NOTE 4 AMENDED. (70795)               | 4          | 5.6.63   |                |
| TITLE AMENDED.                                 | 3          |          |                |
| NOTE 4 ADDED.                                  | 2          |          |                |
|                                                | 1          |          |                |
| AMENDMENT PARTICULARS                          | ISSUE DATE | APP      | REF -          |
| NZPO                                           | DRAWN      | CHECKED  | WIRING CIRCUIT |

SELECTOR 'LEVEL  
OR  
I/C JUNCTION RELAY SET  
2000 TYPE

**GBU 15450**

50 V/S