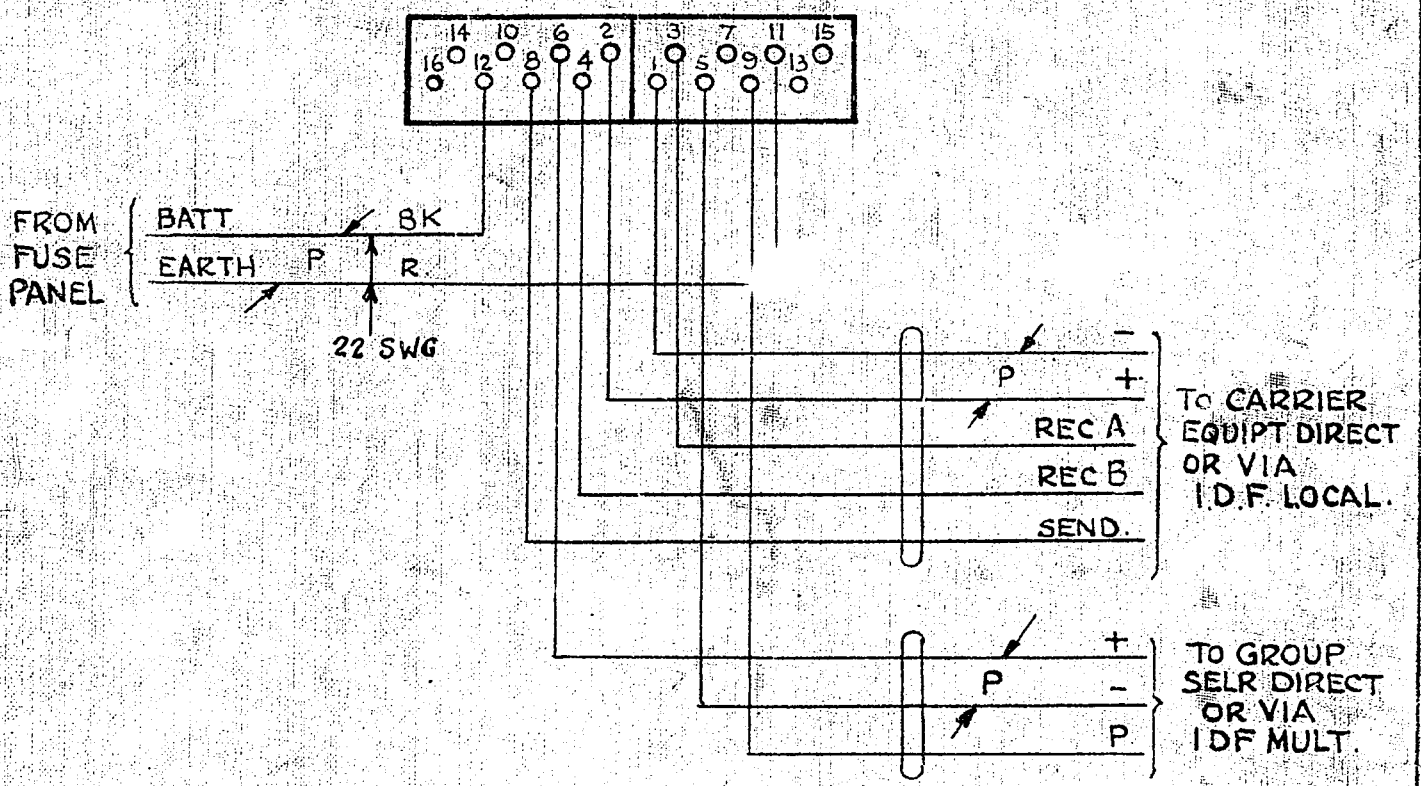


0
5 Centimetres
10
15
20
25
30

AS SEEN FROM REAR



NOTES.
ALL WIRING TO BE 25 SWG UNLESS OTHERWISE SPECIFIED.

				AUTO-AUTO REPEATER	
				I/C CIRCUIT	
				RURAL CARRIER	
				2000 TYPE	
				(23150)	1 16560 OK
AMENDMENT PARTIC				DATE APPLD	
N.Z.P.O.		DRAWN	ED	16560	OK
				GBU 15390	