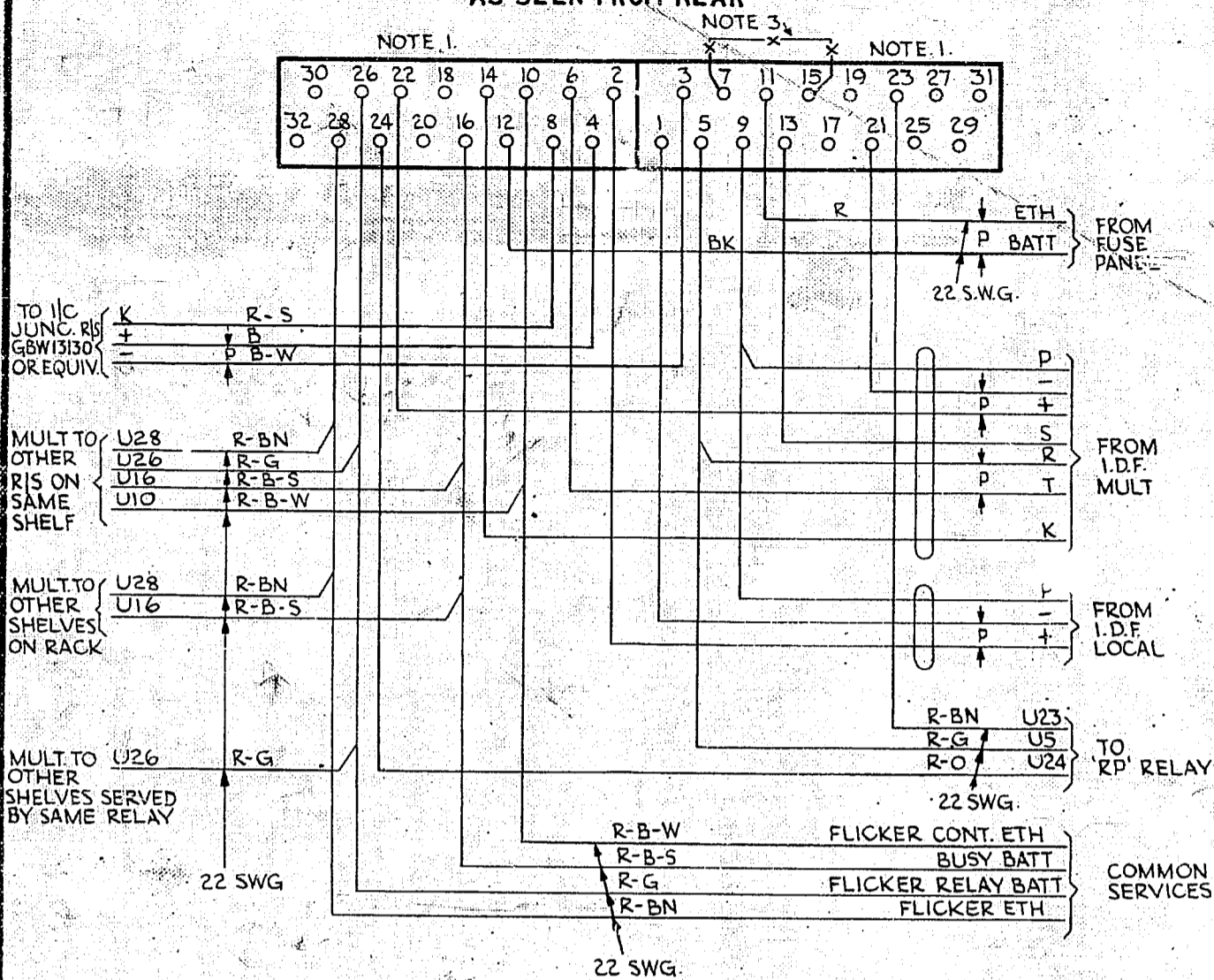


0
5 Centimetres
10
15
20
25
30

AS SEEN FROM REAR



NOTES

1. SHELF JACK POINTS U1 & U3, U2 & U4, U9 & U11, U14 & U16 TO MAKE CONTACT WHEN RELAY SET IS REMOVED.
2. DELETED.
3. CUT STRAP BETWEEN U7 & U15 WHEN JUNC. RES. IS LESS THAN 500Ω.
4. DELETED.
5. ALL WIRING UNLESS OTHERWISE SPEC'D TO BE 25 SWG.

				W.E SLEEVE CONTROL SYSTEM O/G JUNCTION RELAY SET TOLL A.M.X WITH TRK OFFER AND SELECTOR ACCESS TO A.M.X. 2000 TYPE		50V	S
NOTE 2 & ASSOCIATED STRAP DELETED (74932)				3	29-863	DBH	
NOTES 2 & 4 DELETED, NEW NOTE 2 ADDED, ALL ASSOCIATED WIRING AMENDED (74918)				2	13-8-63	DBH	
(77714)				1	1.8.58	AK	
AMENDMENT PARTICULARS				ISSUE	DATE	APP	
N.Z.P.O.				DRAWN	CHECKED	WIRING	CIRCUIT
				E.A.H.	F.P.O.	M.D.	F.P.O.
				GBU 15350			