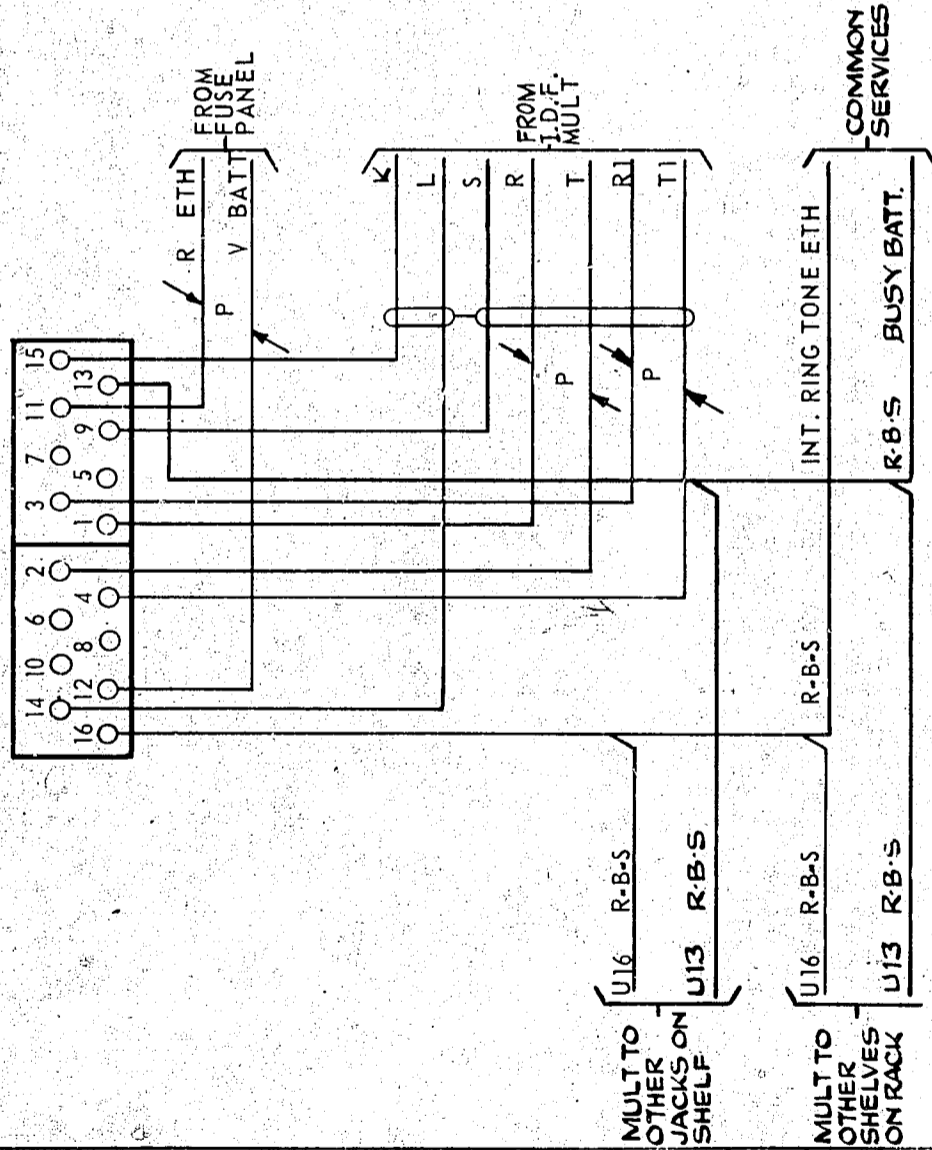
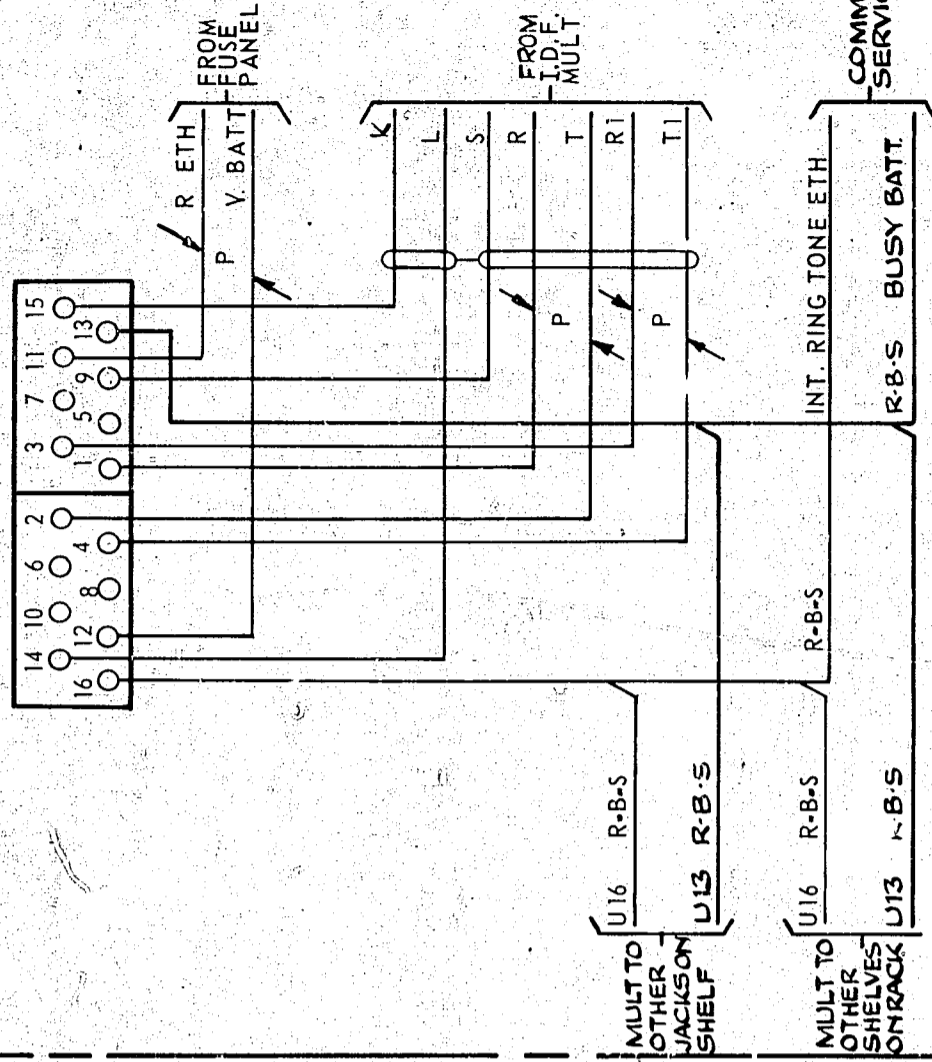


FIG. 2
AS SEEN FROM REAR

FIG. 1
AS SEEN FROM REAR

ORIGINAL FRAME SIZE 255mm X 390mm

THIRD ANGLE PROJECTION



NOTES:-

- 1 ALL WIRING TO BE 22 S.W.G. UNLESS OTHERWISE SPECIFIED
- 2 SHELF JACK U POINTS 13 & 15 TO MAKE CONTACT WHEN RELAY SET IS REMOVED.

AMENDMENT		(34095)	A	3-6-71	B.S.H.	REF:-	50v	H
A3 A4	DRN RHH/BN	APPROVED	ENG	MATERIAL	FINISH	TOLERANCES (UNLESS OTHERWISE STATED)		
	TR	APPROVED	MTH			THREE PLACE DECIMAL DIMNS		
	CHK 9/10.7.68	APPROVED	DRFT			TWO PLACE DECIMAL DIMNS		
	ENG	DEPT.		TITLE		FRACTIONAL DIMENSIONS		
				BOTHWAY MANUAL BOARD ACCESS TO AUXILIARY TOLL S.C.S 2000 TYPE		OTHER REQUIREMENTS TO E.S.I.5		
N.Z.P.O.						GBU 15520	MOD.A	SIZE S

DO NOT SCALE

