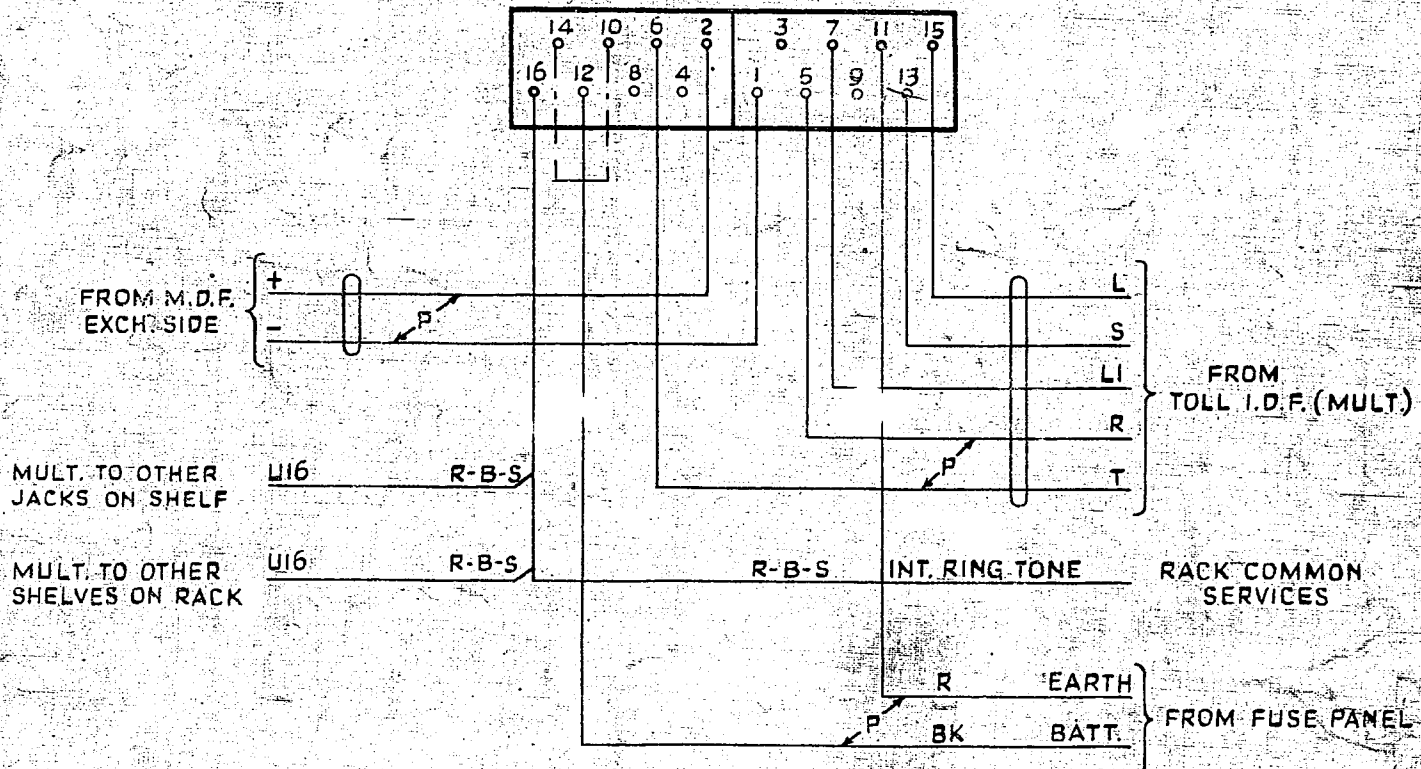


0
5 Centimetres
10
15
20
25
30

AS SEEN FROM REAR

NOTE 2



NOTES.

1. ALL WIRING TO BE 22 S.W.G. UNLESS OTHERWISE SPECIFIED.
2. ADDED STRAP BETWEEN SHELF JACK U POINTS 10 & 14 WHEN CIRCUIT TERMINATES A JUNCTION FROM A D.S.R. SATELLITE EXCHANGE. OMIT THIS STRAP WHEN CIRCUIT TERMINATES A JUNCTION FROM A MAIN EXCHANGE.

				LEVEL 0 JUNCTION RELAY SET	
				COMBINED REGULAR & C.C.B. LINES	
				W. E. CO BRIDGE CONTROL SWITCHBOARD	
STRAP U10-14 AND NOTE 2 ADDED		(79481)	2	8.8.58	<i>W.E.</i>
		(8133)	1	27.9.57	<i>W.E.</i>
AMENDMENT PARTICULARS			ISSUE	DATE	APP
					50V E
NZ.P.O.			DRAWN		CHECKED
			WIRING		CIRCUIT
					GBU 15140