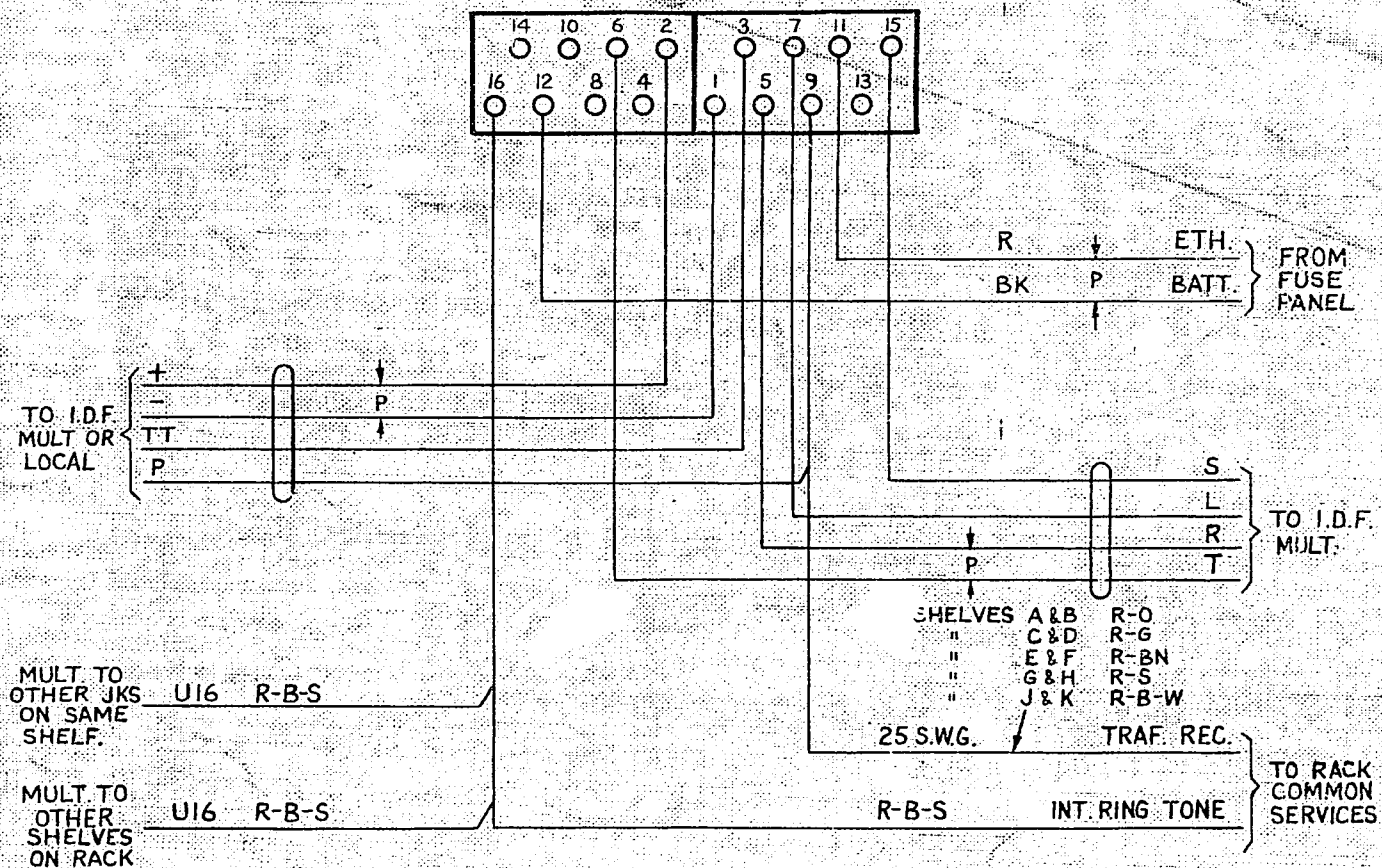


AS SEEN FROM REAR NOTE 3.



NOTES

1. JACK POINTS U9 & U11 TO MAKE CONTACT WHEN RELAY SET IS REMOVED.
2. ALL WIRING TO BE 22 S.W.G. UNLESS OTHERWISE SPECIFIED.
3. ON INVERCARGILL CENTRAL EXCHANGE A 32 WAY SHELF JACK IS FITTED.

0' LEVEL RELAY SET
 FROM I/C I.V.F. CCT. VIA TANDEM GP. SELR.
 (SLEEVE CONTROL MANUAL BOARD)
 2000 TYPE

		(56510)		1	29.3.62				
AMENDMENT PARTICULARS				ISSUE	DATE	APP	REF	50V/S	
NZPO		DRAWN	CHECKED	WIRING CIRCUIT		GBU 15010		GBU 15011	

Centimetres 5 10 15 20 25 30