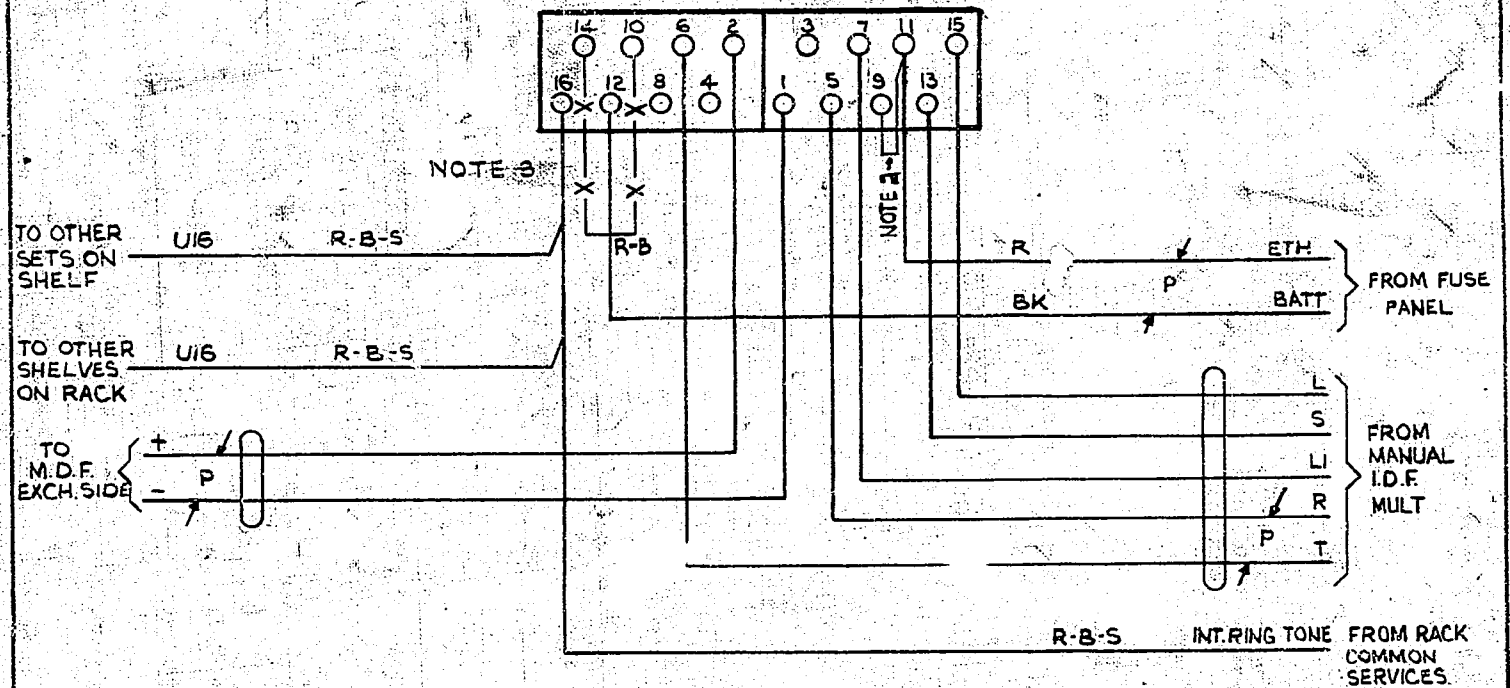


AS SEEN FROM REAR



3 FOR RELAY SETS TO GBW 15001
 ADD STRAP BETWEEN SHELF JACK
 U-POINTS 10 & 14 WHEN CIRCUIT
 TERMINATES A JUNCTION FROM A
 DSR SATELLITE EXCHANGE OMIT
 THIS STRAP WHEN CIRCUIT TERMINATES
 A JUNCTION FROM A MAIN EXCHANGE

2 STRAP U9 & U11 WITH BTC WHEN
 CIRCUIT IS ASSOCIATED WITH AN
 UNDER 3DB UNREPEATED LINE

NOTES 1 ALL WIRING TO BE 22 SWG UNLESS
 OTHERWISE SPECIFIED.

				LEVEL 0 JUNCTION RELAY SET COMBINED REGULAR AND CCB LINES SLEEVE CONTROL SYSTEM	
TITLE AMENDED: GBW 15001 & NOTE 3 ADDED (35334)		2	14-11-60	Chs	
(69219)		1	15-7-57	ab's	
AMENDMENT PARTICULARS		ISSUE	DATE	APPD	REF: SOV S
					GBW 15000 GBW 15001