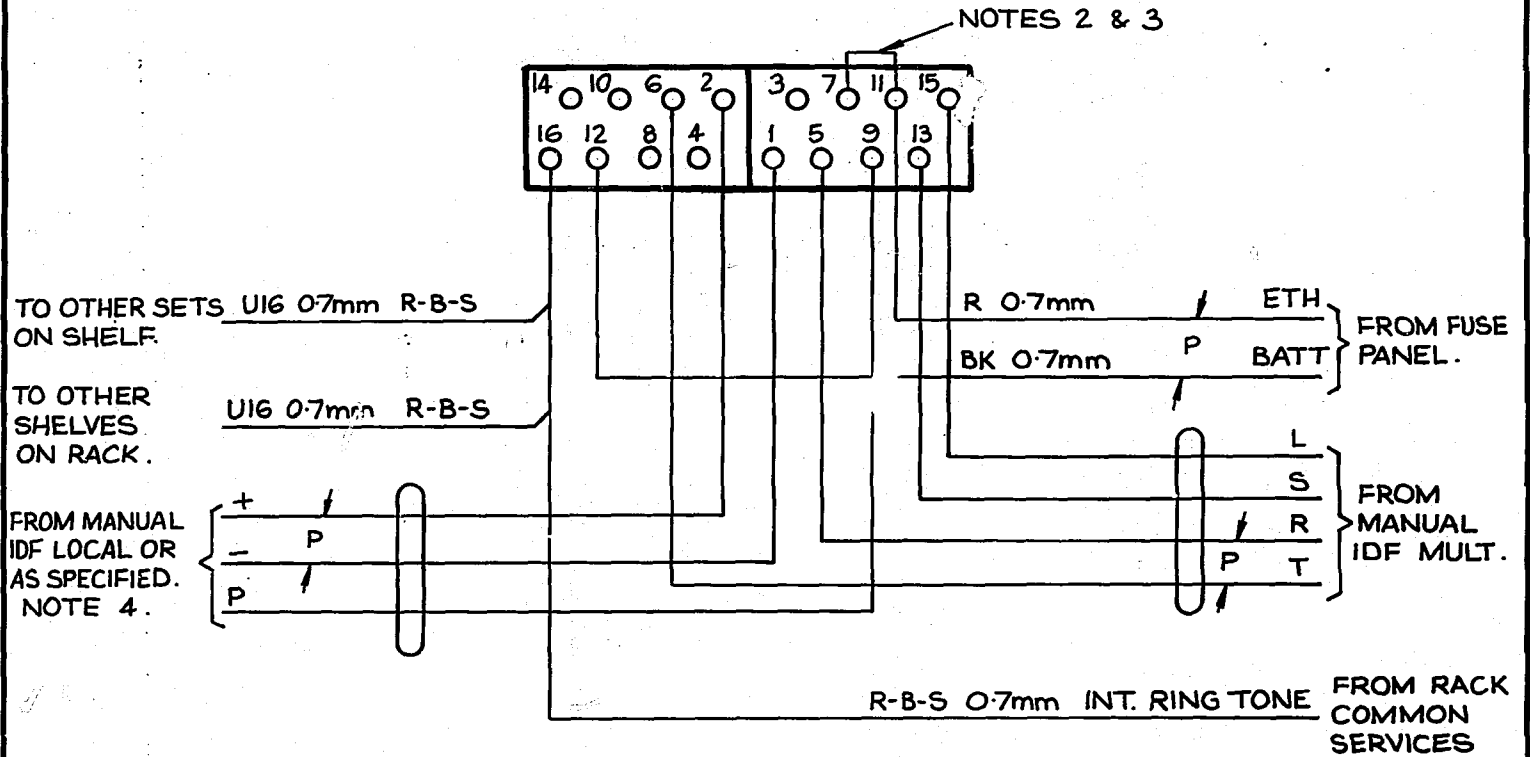


AS SEEN FROM REAR



NOTES:-

1. ALL WIRING 0.5mm UNLESS OTHERWISE SPECIFIED.
2. STRAP (17 & 11 WHEN CIRCUIT IS ASSOCIATED WITH AN UNDER 3dB JUNCTION. (WHEN JUNCTION IS BUILT OUT TO MINIMUM LOSS 2dB, NO STRAP IS NECESSARY. REF: E.1s TRANS. TELS. B2000 ISSUE 2.)
3. U9 & 11 TO MAKE CONTACT WHEN RELAY SET IS REMOVED.
4. MAY BE CABLED TO SWITCHING EQUIPMENT IDF OR MDF AS SPECIFIED.

					INCOMING JUNCTION OR SELECTOR LEVEL RELAY SET FROM CROSSBAR LX OR STEP TO GS3 TMX.		
REFER NZM:IS	(122579)	A	28.1.74	B5H	REF:-	SIZE F	50V
AMENDMENT PARTICULARS		ISS.	DATE	APP <sup>9</sup>			
DRAWN					GBU 15001 MOD A		
CHK'D					15SHT 1 OF 1		
WIRING					20		
CIRCUIT							
5 Centimetres 10							
NZPO							