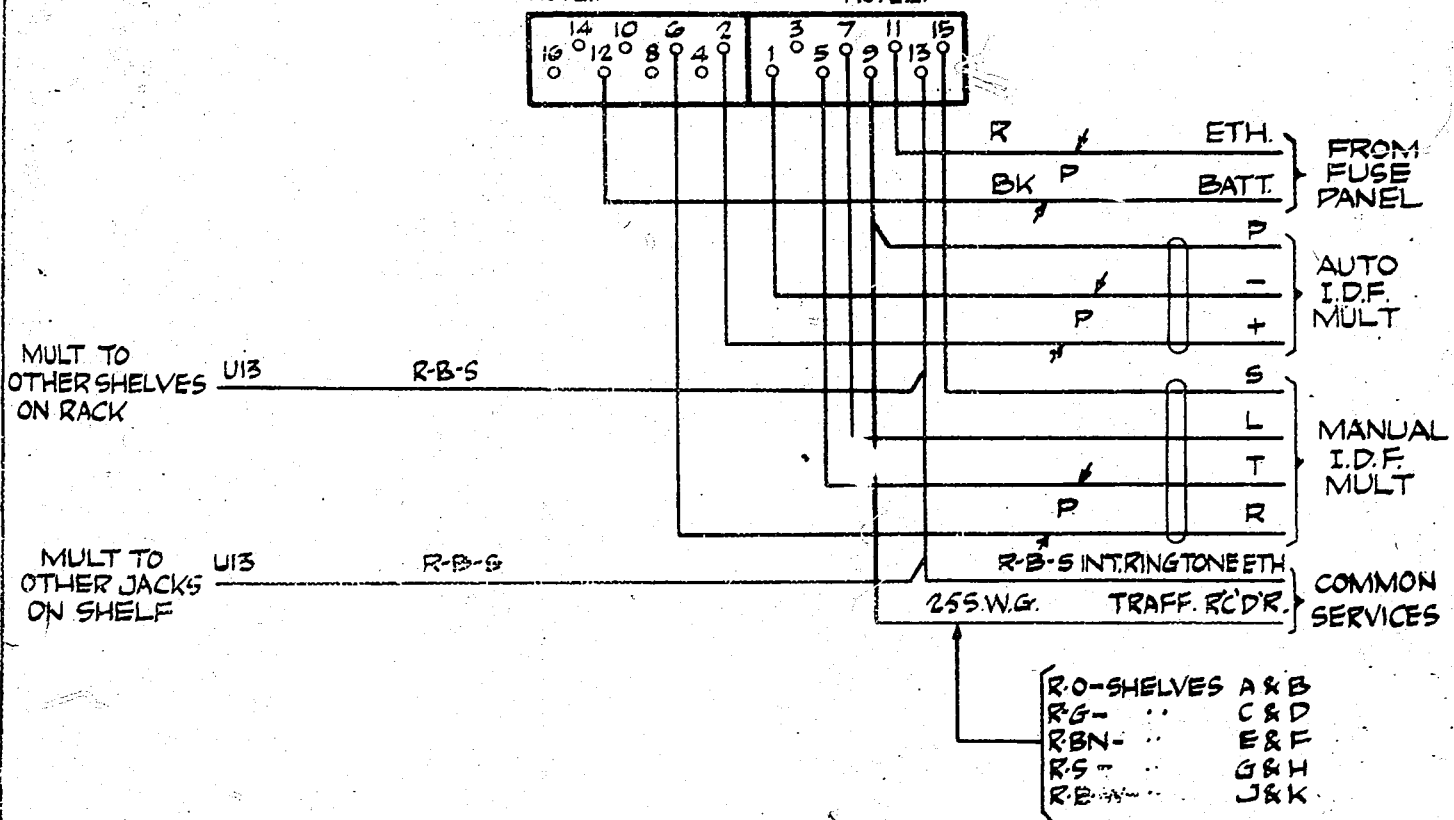


AS SEEN FROM REAR

NOTE.1

NOTE.2



NOTES:-

1. SHELF JACK POINTS UI4 & UI6 ARE NOT SPARE AS ASSOCIATED PLUG POINTS ARE USED FOR BARRETTTER ACCESS.
2. SHELF JACK POINTS UI9 & UI11 TO MAKE CONTACT WHEN RELAYSET IS REMOVED.
3. ALL WIRING TO BE 22 S.W.G. UNLESS OTHERWISE SPECIFIED

					SELECTOR LEVEL RELAYSET WITH RESISTOR BALLAST MAIN & SAT. LEVELS IN S.C.S. MAIN EXCHANGE. 2000 TYPE.			
REPLACEMENT TCG INCORP	(99916)	2	29-873	BSH				
2 ND CCT. OF TRAFFIC RECORDER WAS SHOWN	(68869)	2	25-6-57	CWH				
		1	30-1-57	AK				
AMENDMENT PARTICULARS		ISSUE	DATE	APP'D	REF :-	SIZE. F	50%	H
NZPO					GBU 14980			
A.T.&E. CO LTD LIVERPOOL	ENGINEER APPROVED RHS	DRAWN KB	CHECKED ED 2/9	WIRING LTD	CIRCUIT			