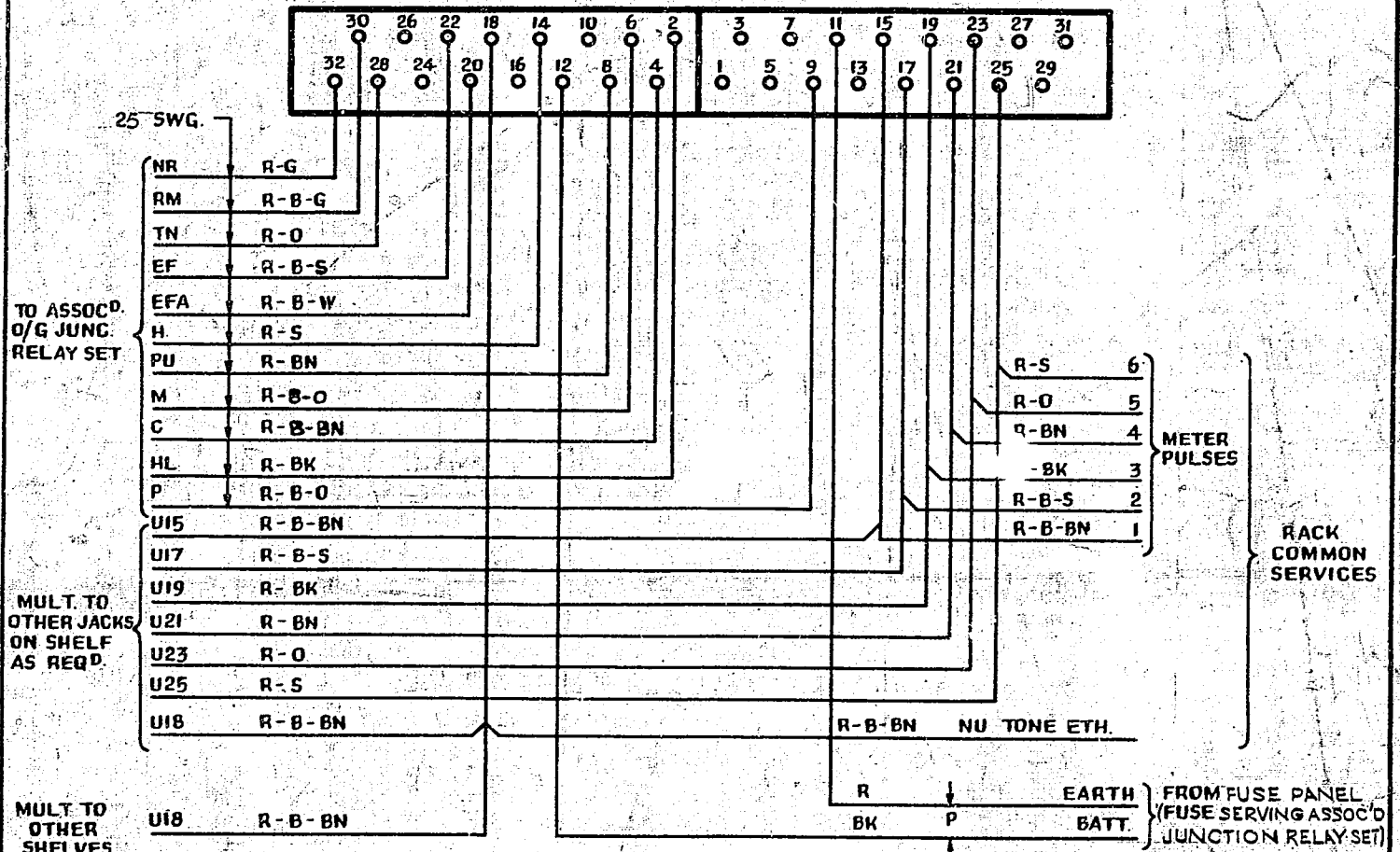


AS SEEN FROM REAR



NOTES.

1. ALL WIRING TO BE 22 SWG. UNLESS OTHERWISE SPECIFIED.
2. JACK POINTS U9 & U11 TO MAKE CONTACT WHEN RELAY SET IS REMOVED.

				MULTI-FEE RELAY SET FOR USE ON AUTO-AUTO JUNCTION ROUTES	
WIRING ARRANGEMENT CLARIFIED	(14841)	2	12.11.58	DR	
	(66407)	1	8.3.56	DR	
AMENDMENT PARTICULARS		ISSUE	DATE	APPD	
					50V E
GBU 14770					
N.Z.P.O.		DRAWN	CHECKED	WIRING	CIRCUIT

