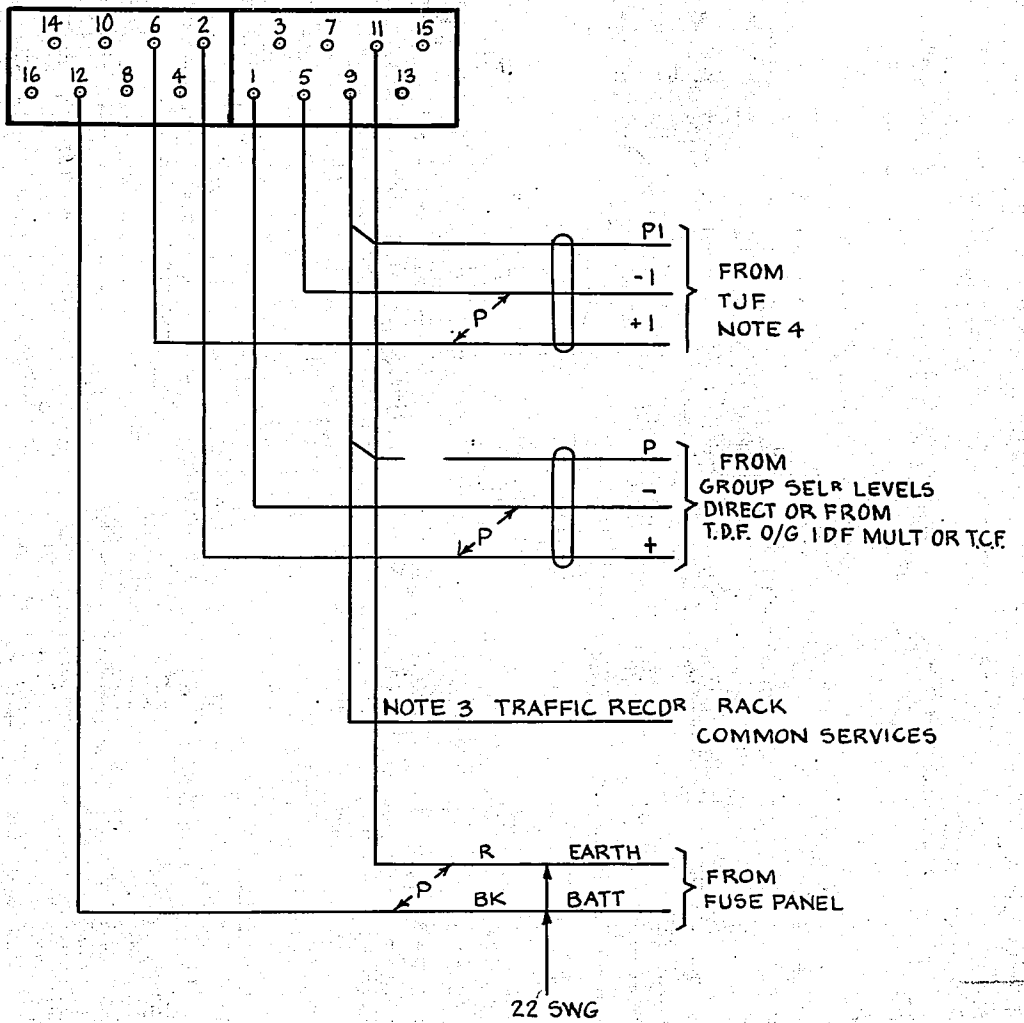


AS SEEN FROM REAR



NOTES

1. JACK POINTS 9 & 11 MAKE CONTACT WHEN RELAY SET IS REMOVED
2. ALL WIRING TO BE 25 SWG UNLESS OTHERWISE SPECIFIED
3. TRAFFIC RECORDER LEAD COLOURS:—
 SHELVES A&B R-0 SHELVES C&D R-G SHELVES E&F R-BN
 " G&H R-S " J&K R-B-W
4. AT SOME EARLY EXCHANGES THESE LEADS ARE CABLED TO IDF OR T.C.F.

					AUTO-AUTO RELAY SET SPECIAL SERVICES WITH MANUAL HOLD AMX. OR MAX.	
(83785)			A	10-8-67	A/B	
AMENDMENT PARTICULARS			ISSUE	DATE	APPD	
					50V	E
DRAWN			CHECKED		WIRING CIRCUIT	
IN.Z.P.O.			5 Centimetres		GBU 14591 MOD A	
			10		15	