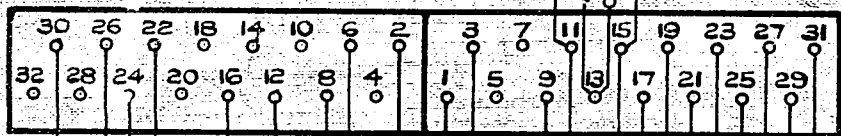
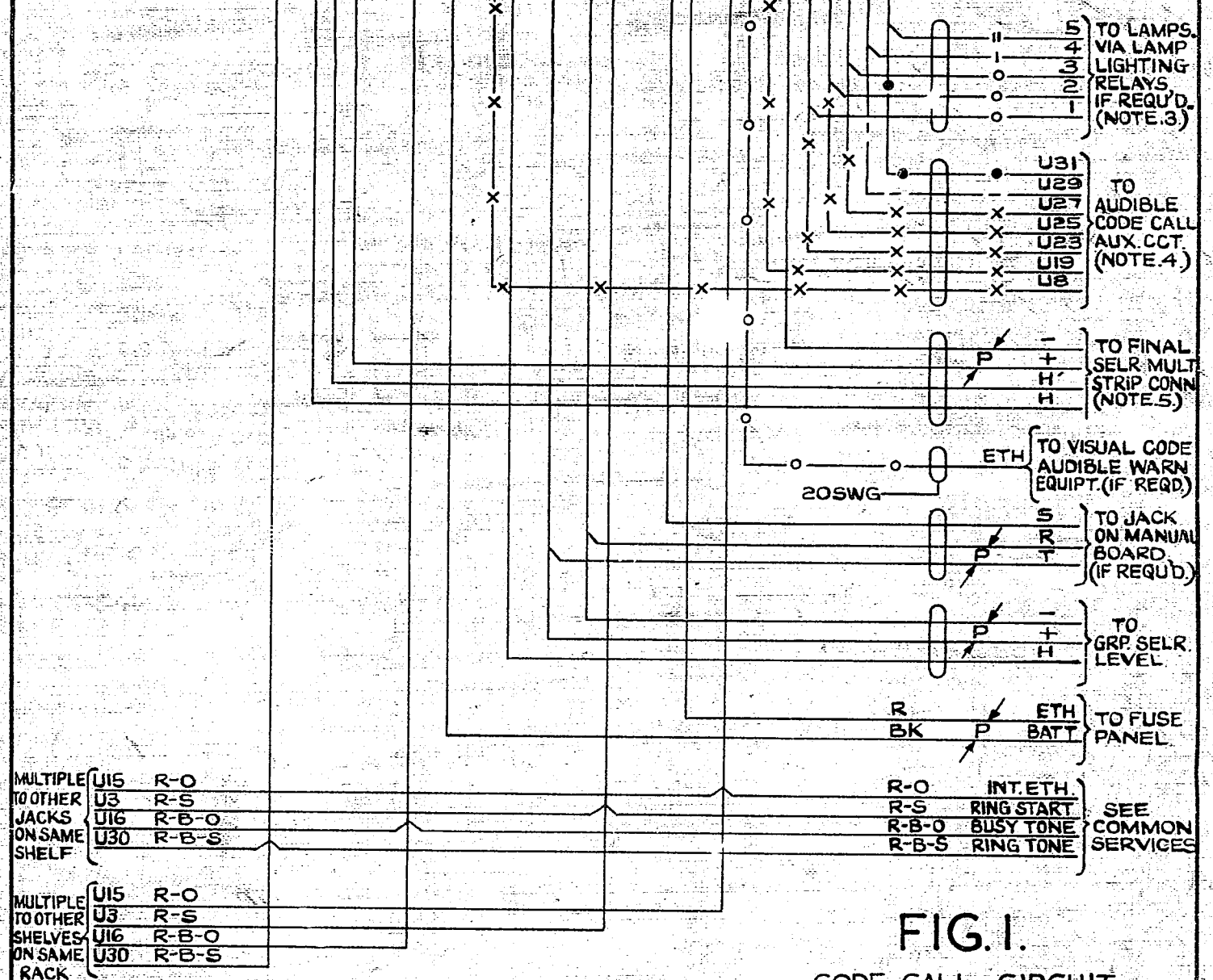


AS SEEN FROM REAR

BTC STRAPS (NOTE.6)



NOTE.1.



MULTIPLE TO OTHER JACKS ON SAME SHELF

U15 R-O
U3 R-S
U16 R-B-O
U30 R-B-S

R-O INT.ETH.
R-S RING START
R-B-O BUSY TONE
R-B-S RING TONE

SEE COMMON SERVICES

MULTIPLE TO OTHER SHELVES ON SAME RACK

U15 R-O
U3 R-S
U16 R-B-O
U30 R-B-S

FIG.1.

CODE CALL CIRCUIT.

NOTES.

1. SHELF JACK POINTS U9-U11 MAKE CONTACT WHEN RELAY SET IS REMOVED.
2. ALL WIRING BEARING A COLOUR CODE TO BE 22 SWG.
3. WHEN VISUAL SIGNALLING IS EMPLOYED :-
 USE CONNS. SHOWN — 0 — FOR 3-LAMP DISPLAY (7 CODES)
 USE CONNS. SHOWN — 0 — & — 1 — FOR 4-LAMP DISPLAY (14 CODES)
 USE CONNS. SHOWN — 0 — , — 1 — & — 11 — FOR 5-LAMP DISPLAY (25 CODES)
4. WHEN AUDIBLE SIGNALLING IS EMPLOYED :-
 USE CONNS. SHOWN — X — FOR 3-UNIT SYSTEM (8 CODES)
 USE CONNS. SHOWN — X — & — — FOR 4-UNIT SYSTEM (15 CODES)
 USE CONNS. SHOWN — X — , — & — • — FOR 5-UNIT SYSTEM (25 CODES)
5. CUT STRAPS BETWEEN + & +', - & - AND H & H' TAGS OF SELECTED EXTENSION
6. WHEN AUDIBLE WARNING OF VISUAL CODE IS USED :-
 ADD STRAP SHOWN — Δ — FOR SINGLE STROKE BELL (CONT. ETH)
 ADD STRAP SHOWN — OO — FOR CONTINUOUS RINGING BELL (INT. ETH.)

				CODE CALL CIRCUIT (25 VISUAL & /OR AUDIBLE CODES) 50/1200 LINE P.A.B.X.			
				(8077)	1	16.9.57	JW
AMENDMENT PARTICULARS				ISSUE	DATE	APPO	50V W
N.Z.P.O.		DRAWN J.B.W.		CHECKED WIRING CIRCUIT		GBU. 14550.	
							SHT. 1-2

5 Centimetres

10

15

20

25

30

0
5 Centimetres
10
15
20
25
30

AS SEEN FROM REAR

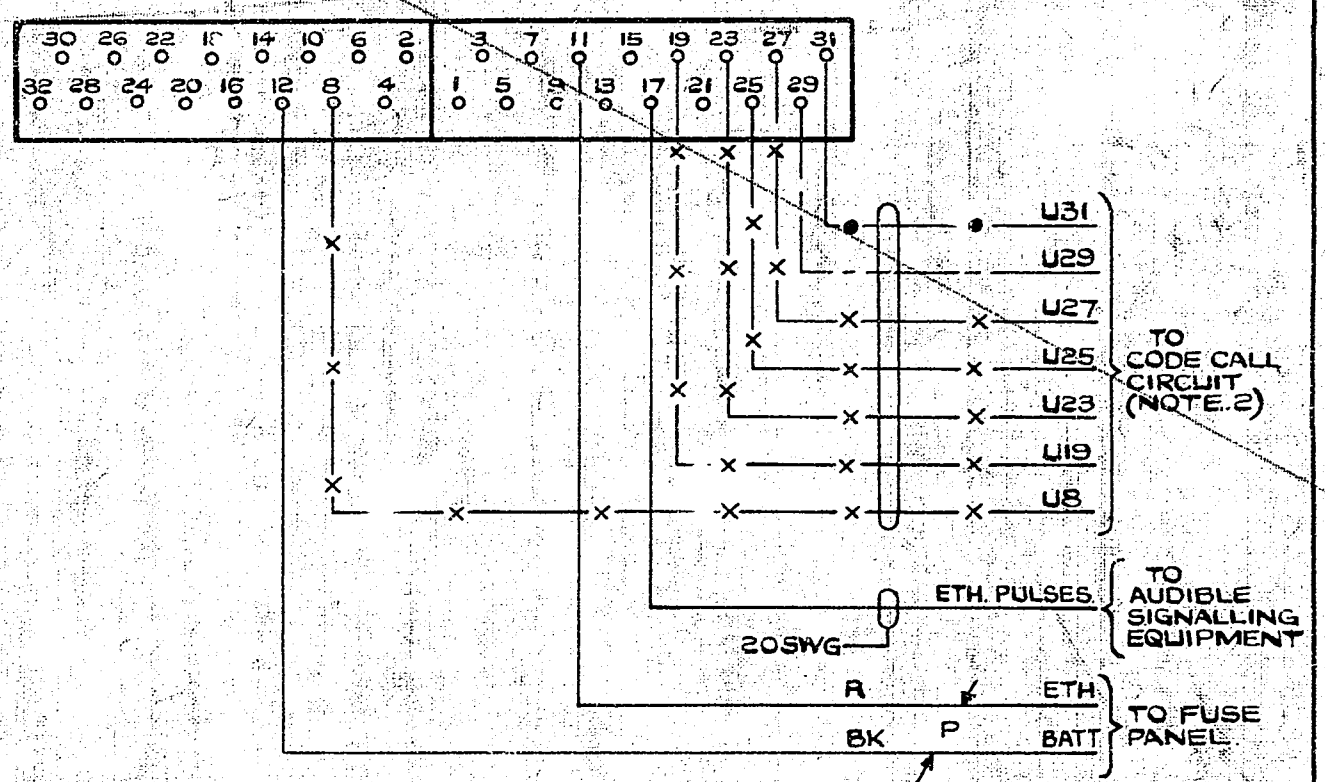


FIG. 2.
AUDIBLE CODE CALL
AUXILIARY CIRCUIT.

NOTES.

1. ALL WIRING BEARING A COLOUR CODE TO BE 22 SWG.
2. USE CONNS SHOWN — X — FOR 3-UNIT SYSTEM (8 CODES)
 USE CONNS SHOWN — X — & — — — — — FOR 4-UNIT SYSTEM (15 CODES)
 USE CONNS SHOWN — X — , — — — — — & — ● — — — — — FOR 5-UNIT SYSTEM (25 CODES)

				CODE CALL CIRCUIT (25 VISUAL & / OR AUDIBLE CODES) 50/1200 LINE PABX		
(8077)				1	16.9.57	JK
AMENDMENT PARTICULARS		ISSUE DATE		APPD		50V W
N.Z.P.O.		DRAWN J.B.W.		CHECKED C.M.		GBU.14550.
		WIRING CIRCUIT				SHT. 2-2