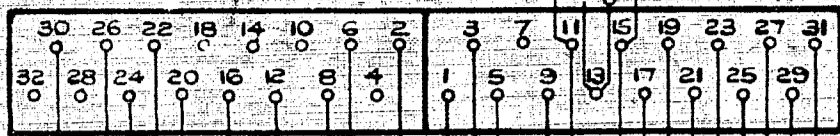


AS SEEN FROM REAR

BTC STRAPS (NOTE 6)



NOTE 1

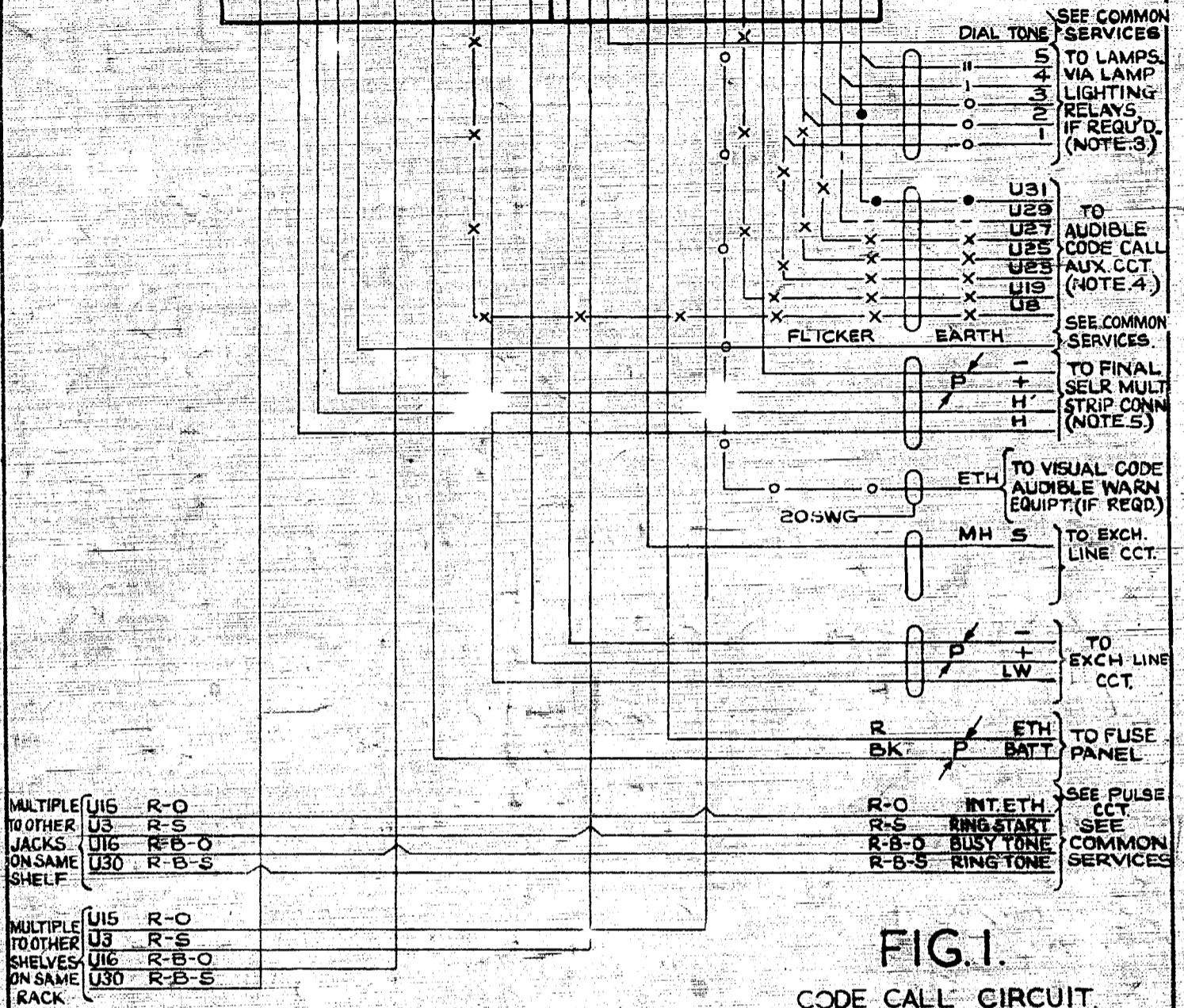


FIG. 1.

CODE CALL CIRCUIT

NOTES

1. SHELF JACK POINTS U9-U11 MAKE CONTACT WHEN RELAY SET IS REMOVED.
2. ALL WIRING BEARING A COLOUR CODE TO BE 22 SWG.
3. WHEN VISUAL SIGNALLING IS EMPLOYED -  
 USE CONNS. SHOWN 0 FOR 3-LAMP DISPLAY (7 CODES)  
 USE CONNS. SHOWN 0 & 1 FOR 4-LAMP DISPLAY (14 CODES)  
 USE CONNS. SHOWN 0, 1 & 11 FOR 5-LAMP DISPLAY (25 CODES)
4. WHEN AUDIBLE SIGNALLING IS EMPLOYED -  
 USE CONNS. SHOWN X FOR 3-UNIT SYSTEM (8 CODES)  
 USE CONNS. SHOWN X & - FOR 4-UNIT SYSTEM (15 CODES)  
 USE CONNS. SHOWN X, - & 0 FOR 5-UNIT SYSTEM (25 CODES)
5. CUT STRAPS BETWEEN + & +, - & - AND H & H' TAGS OF SELECTED EXTENSION
6. WHEN AUDIBLE WARNING OF VISUAL CODE IS USED -  
 ADD STRAP SHOWN Δ FOR SINGLE STROKE BELL (CONT. ETH)  
 ADD STRAP SHOWN ∞ FOR CONTINUOUS RINGING BELL (INT. ETH)

|  |         |        |           |           |
|--|---------|--------|-----------|-----------|
| MULTIPLE TO OTHER SHELVES ON SAME RACK | U16 R-O | U3 R-S | U16 R-B-O | U30 R-B-S |
| MULTIPLE TO OTHER SHELVES ON SAME RACK | U15 R-O | U3 R-S | U16 R-B-O | U30 R-B-S |

|       |            |                     |
|-------|------------|---------------------|
| R-O   | INT. ETH   | SEE PULSE CCT       |
| R-S   | RING START | SEE COMMON SERVICES |
| R-B-O | BUSY TONE  |                     |
| R-B-S | RING TONE  |                     |

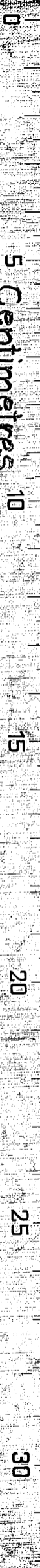
|                       |            |         |                |
|-----------------------|------------|---------|----------------|
| (23273)               | A          | 10.6.60 | LJM            |
| (5077)                | I          | 16.9.57 | AR             |
| AMENDMENT PARTICULARS | ISSUE DATE | APPD    | 50Y/W          |
| NZPO                  | DRAWN      | CHECKED | WIRING CIRCUIT |

CODE CALL CIRCUIT  
 (25 VISUAL & /OR  
 AUDIBLE CODES)  
 20, 35 & 49 LINE PABX.

GBU 14550 MOD A

SHT. 1-2

Centimetres



5 Centimetres 10

15

20

25

30

AS SEEN FROM REAR

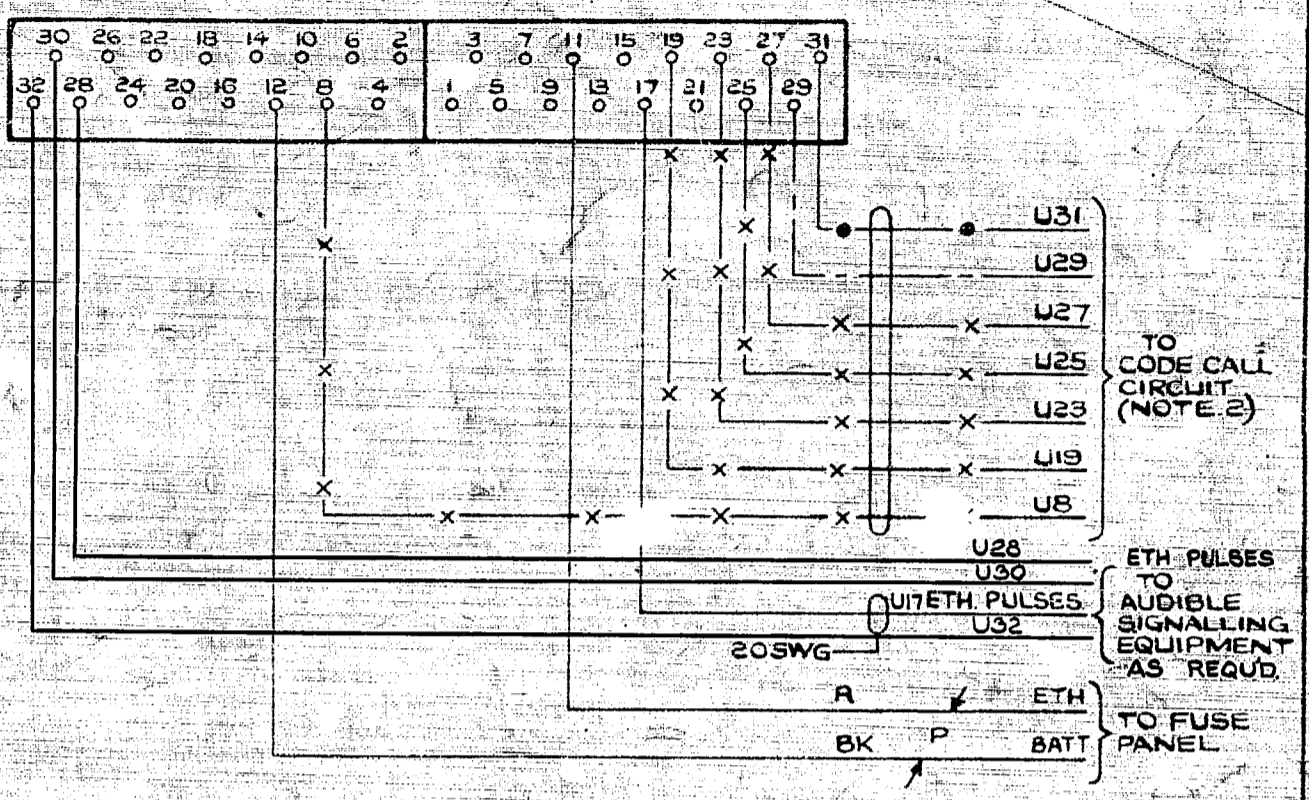


FIG. 2.  
AUDIBLE CODE CALL  
AUXILIARY CIRCUIT.

NOTES

- 1 ALL WIRING BEARING A COLOUR CODE TO BE 22 SWG.
- 2 USE CONNS SHOWN — X — FOR 3-UNIT SYSTEM (8 CODES)  
 USE CONNS SHOWN — X — & — — — — — FOR 4-UNIT SYSTEM (15 CODES)  
 USE CONNS SHOWN — X — , — — — — — & — • — — — — — FOR 5-UNIT SYSTEM (25 CODES)

|                       |        |            |                |   |
|-----------------------|--------|------------|----------------|---|
| (23273)               | A      | 10.6.60    | Z.S.M.         | CODE CALL CIRCUIT<br>(25 VISUAL & / OR<br>AUDIBLE CODES)<br>20, 35 & 49 LINE PABX |
| (8077)                | F      | 16.9.57    | B.K.           |   |
| AMENDMENT PARTICULARS |        | ISSUE DATE | APPROV.        | 50V W   |
| NZ.P.O.               | DRAWN  | CHECKED    | WIRING CIRCUIT | GBU. 14550. MOD A   |
|                       | J.B.W. |            |                | SHT. 2-2  |