

FIG.3. (CODE RINGING)
AS SEEN FROM REAR

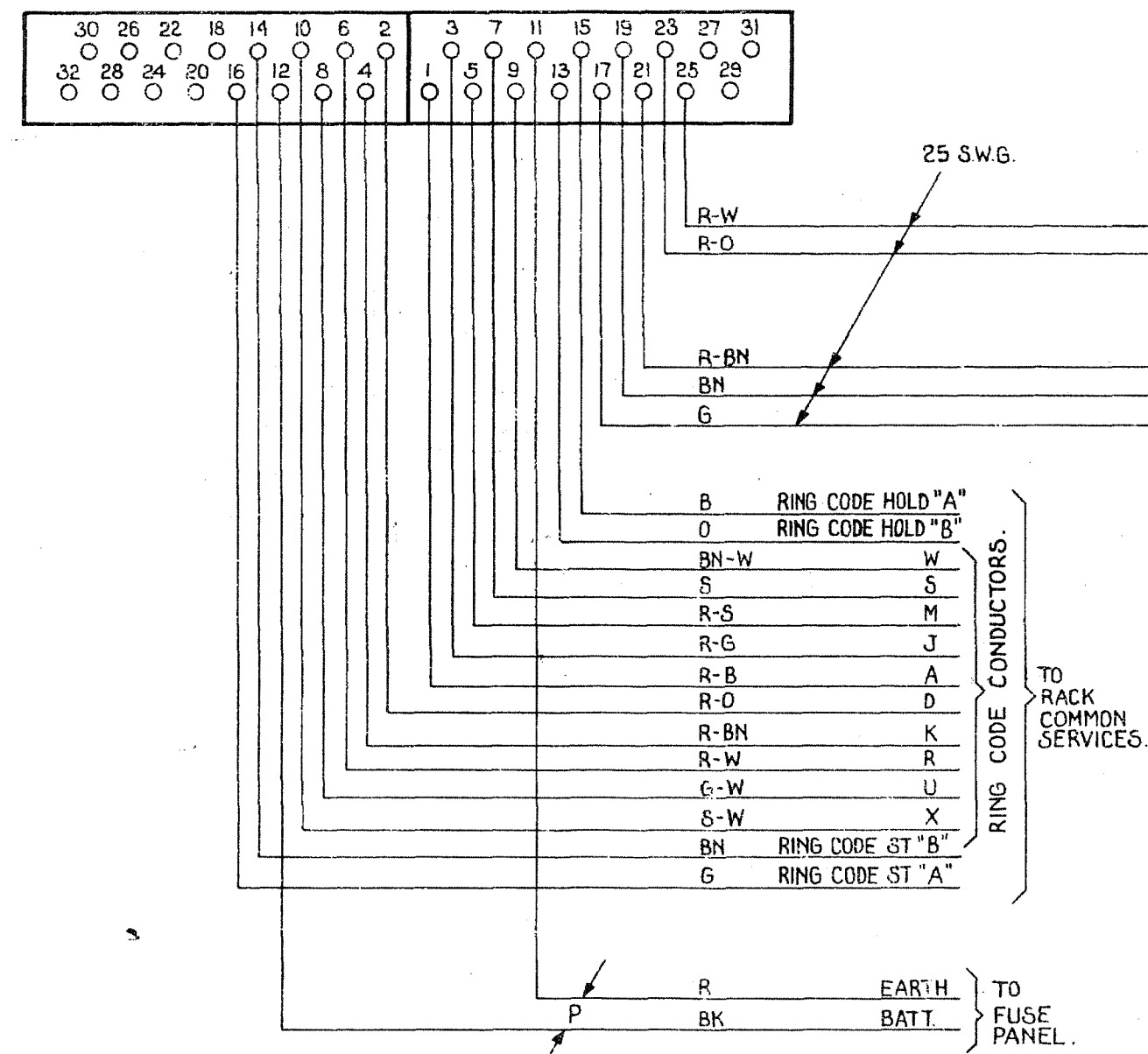


FIG.2. (ALARMS & TIME PULSE)
AS SEEN FROM REAR.

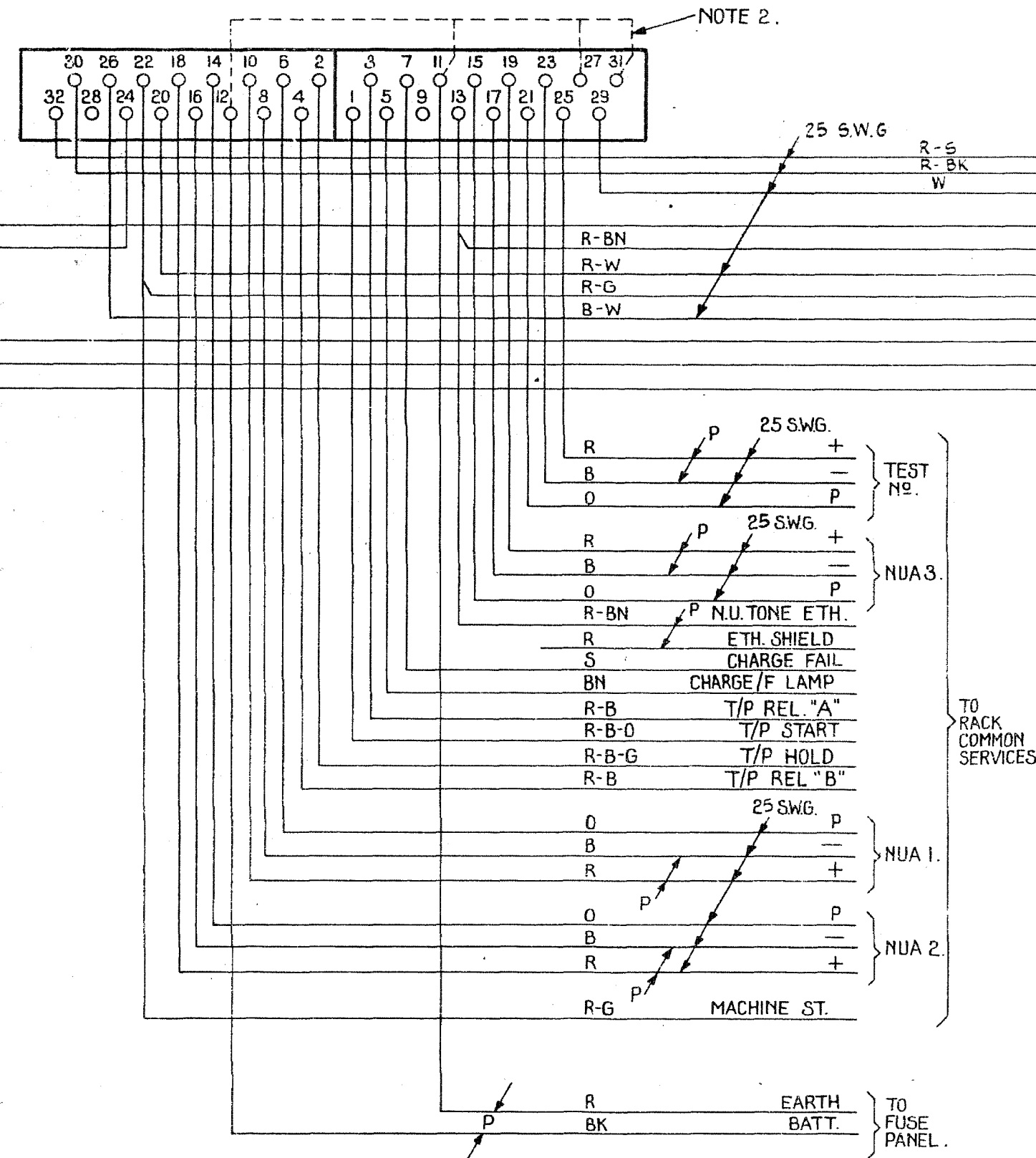
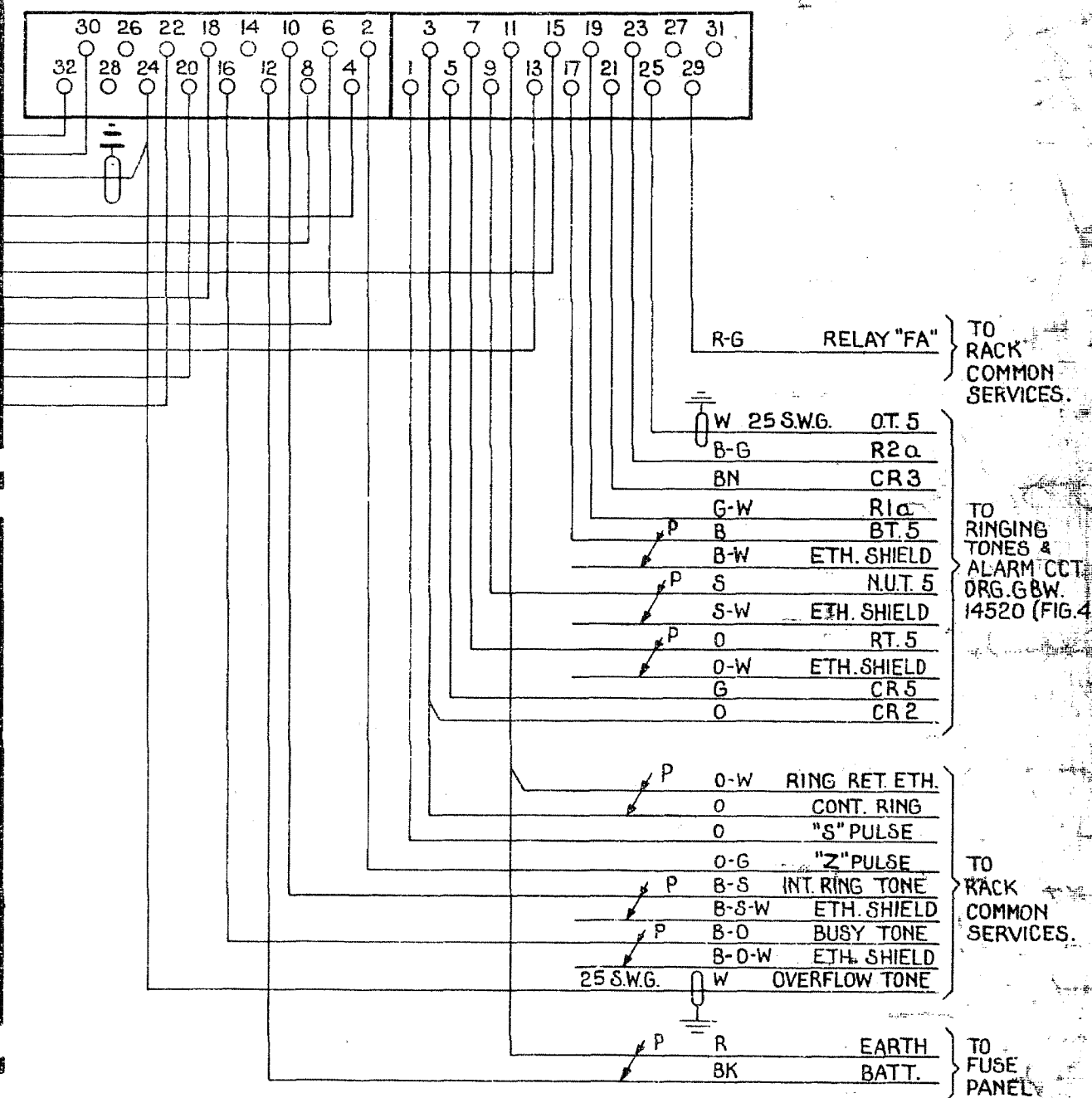


FIG.1. (RING & PULSE DISTRIBUTION)
AS SEEN FROM REAR.



- NOTES:-
1. SHELF JACK "U" POINTS 9 & 11 NOT TO MAKE CONTACT WHEN RELAY SETS FOR FIGS. 1, 2 & 3 ARE REMOVED.
 2. STRAP U11 OR U12 TO U27 (CHARGE FAIL) AND U11 OR U12 TO U31 (N.U.A.) AS REQ.
 3. ALL WIRES UNLESS OTHERWISE SPECIFIED TO BE 22 S.W.G.

SUPERSEDED BY GBU.13690 FOR NEW WORK.

RINGING TONES & ALARMS PULSE DISTRIBUTION & RINGING CODES U.A.X. N.Z. 13R.			
WIRE GAUGES AMENDED (47659)	2	5.11.65	gc
CONS. U29, 30, 32 FIG.2 TO U24, 30, 32 FIG.1 ADDED (66257)	1	8.2.56	clm
AMENDMENT PARTICULARS.	ISSUE DATE	APPD.	G.E.C. 705261-2-3
N.Z.P.O.			50 V C
GBU 14520			