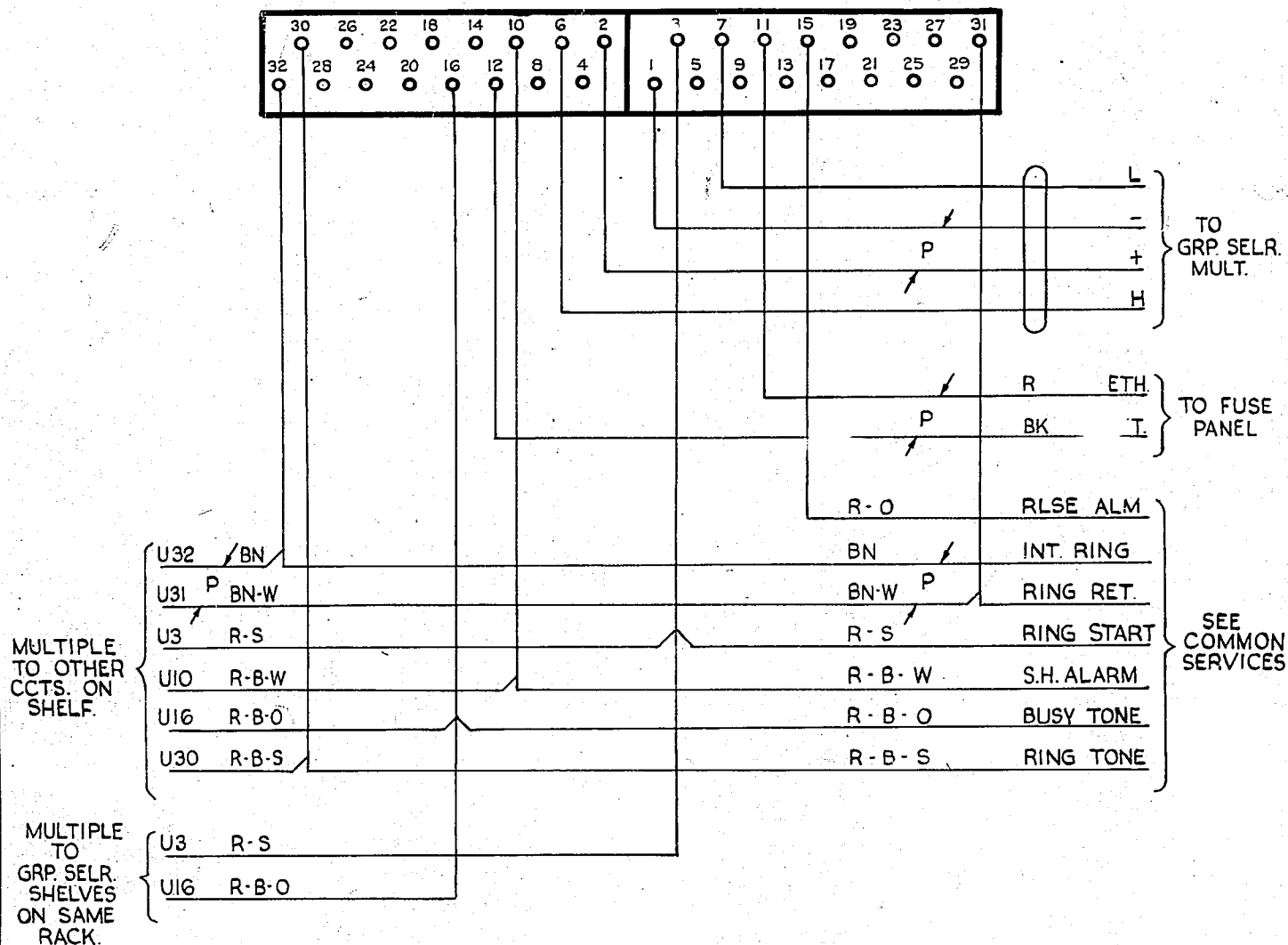


AS SEEN FROM REAR



NOTE

I. ALL WIRING BEARING A COLOUR CODE TO BE 20 SWG UNLESS OTHERWISE SHOWN.

				FINAL SELECTOR.			
				GROUP HUNTING.			
				50/1200 LINE P.A.B.X.			
(65403)				1	5-8-55	R.C.	
AMENDMENT PARTICULARS.				ISSUE	DATE	APP	
				SIZE	F	50Y	W
NZPO				DRAWN M.A.W.		CHECKED	
				WIRING		CIRCUIT	
				GBU 14120			