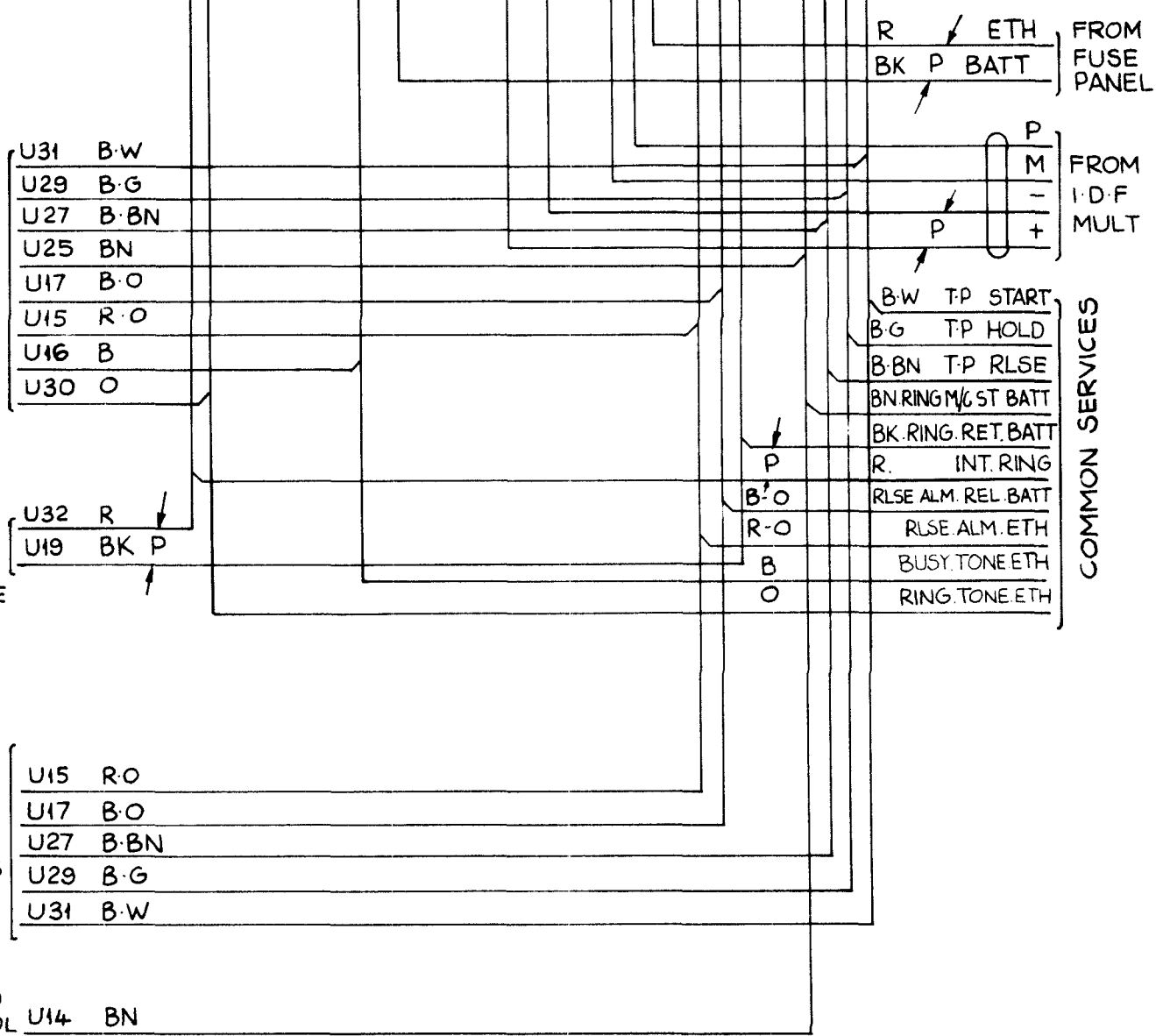
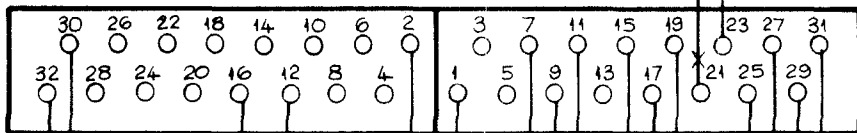


# AS SEEN FROM REAR

NOTE 3

NOTE 1



MULT TO OTHER F. SELRS ON SAME SHELF

MULT TO OTHER ODD OR EVEN F. SELRS ON SAME SHELF

MULT TO GROUP SELR SHELVES

MULT TO CONTROL REL. SETS 1 & 2

## NOTES:

1. SHELF JACK POINTS 9 & 11 TO MAKE CONTACT WHEN SELECTOR IS REMOVED.
2. ALL WIRING TO BE 22 S.W.G. UNLESS OTHERWISE SPECIFIED
3. INSERT STRAP BETWEEN U21 & U23 WHEN LOCAL METERING IS REQUIRED.

TITLE AMENDED	(86108)	5	14-10-69
13901 ADDED TO DRG. N°	(93316)	4	16-4-69
NOTE 3 AND ASSOCIATED WIRING ADDED	(65001)	3	30-5-55
BUSY TONE ETH. TO GROUP SELECTOR SHELVES DELETED.	(30780)	2	29-12-54
		1	

**UAX N° N.Z.13  
FINAL SELECTOR  
2-10 PBX TYPE**

AMENDMENT PARTICULARS	ISSUE	DATE	APPD	REF:	<b>50<sup>v</sup>H</b>
-----------------------	-------	------	------	------	------------------------

N.Z.P.O		DRAWN R.L	CHECKED	WIRING	CIRCUIT	<b>GBU</b>	<b>13900 13901</b>
---------	--	-----------	---------	--------	---------	------------	------------------------