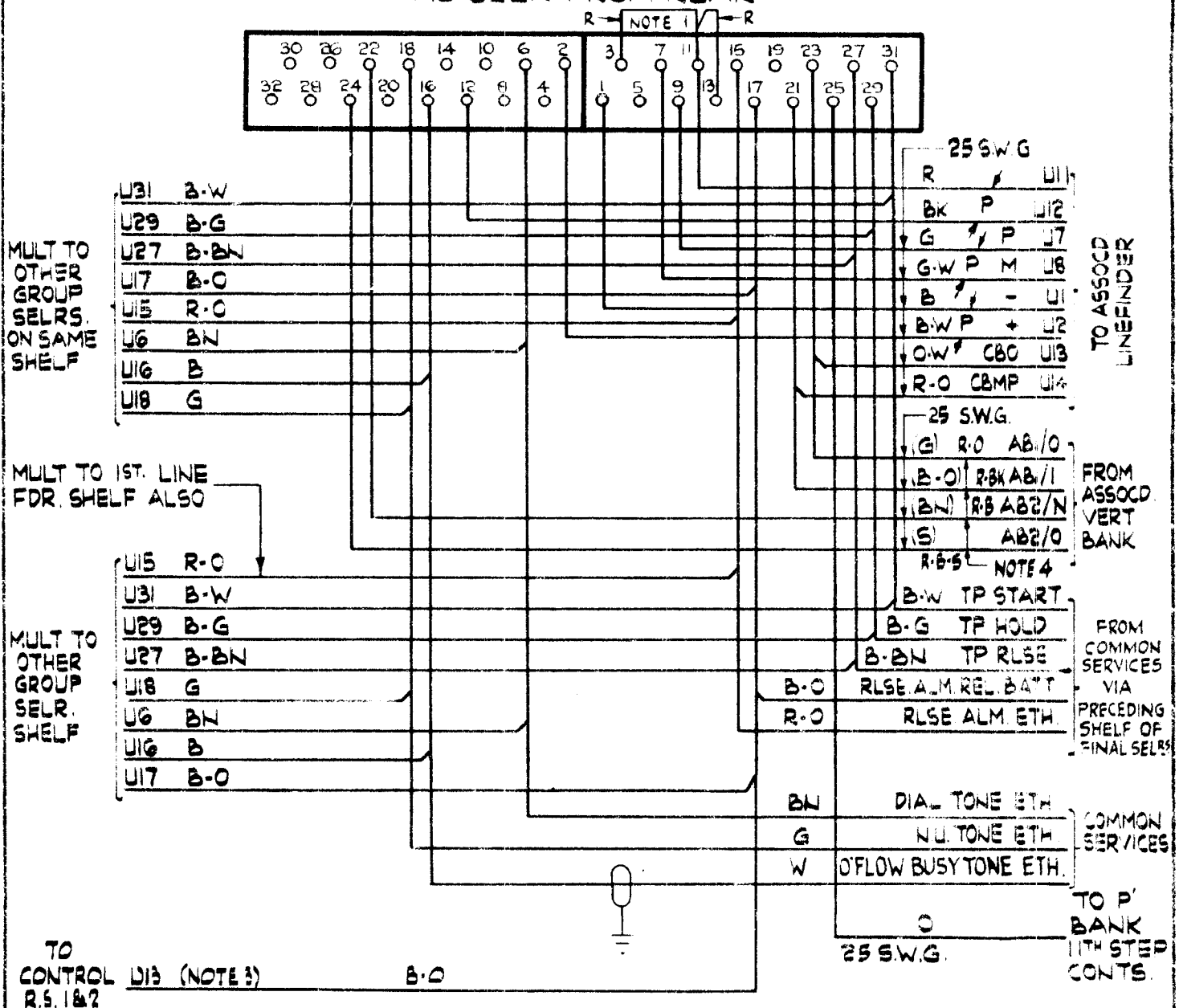


### AS SEEN FROM REAR



### NOTES:-

1. SHELF JACK POINTS 9 & 11 TO MAKE CONTACT WHEN SELECTOR IS REMOVED.
2. ALL WIRING TO BE 22 S.W.G. UNLESS OTHERWISE SPECIFIED.
3. THIS CONNECTION APPLIES ONLY TO GROUP SELECTOR NO. 1. SHELF E.
4. ON SOME EARLIER EQUIPMENT COLOURS SHOWN IN BRACKETS ARE USED.

SUPERSEDED BY GBU15960

U3, U11 & U13 STRAPPED	(69175)	5	4 10 63	DBH	U.A.X. NO. NZ 13 GROUP SELECTOR
SUPERCESSION REF. ADDED	(63543)	4	8 6 62	AKO	
NOTE 4 & ASSOC <sup>d</sup> INF WAS NOT SHOWN.		3			
O'FLOW BUSY TONE WAS WIRED TO PIN SELR'S		2			
V.M. BANK WAS WIRED IN 23 S.W.G.		1			
AMENDMENT PARTICULARS		ISSUE	DATE	APPD	REF
					504 H
NZ.P.O.	DRAWN R.L.	CHECKED	WIRING	CIRCUIT	GBU 13890