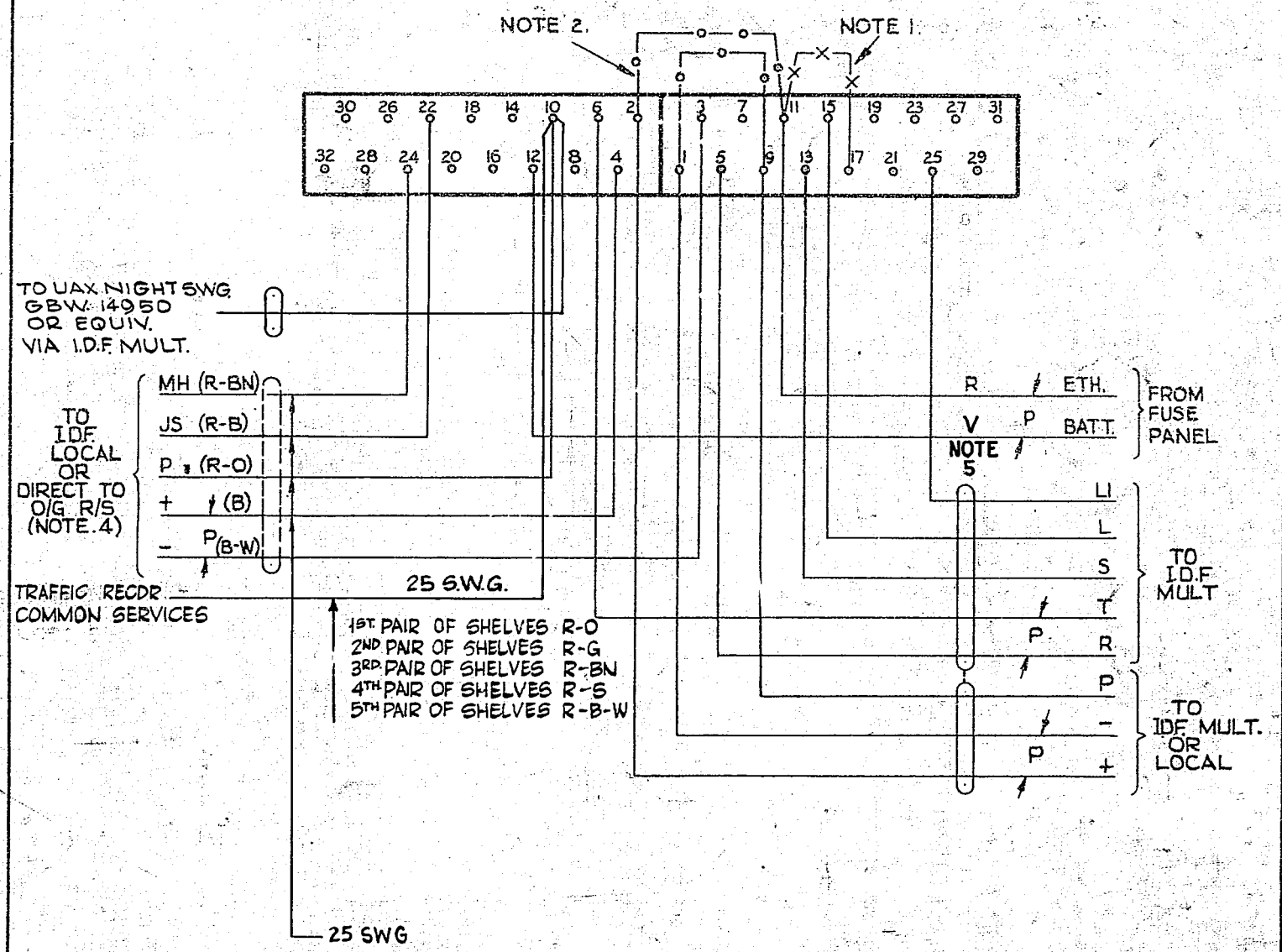
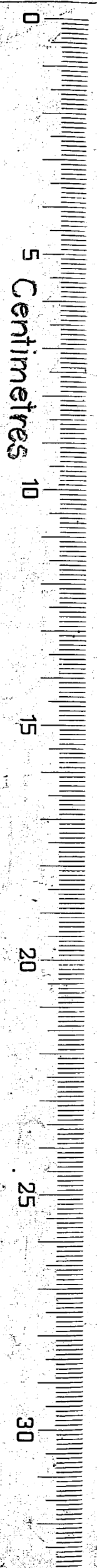


AS SEEN FROM REAR



NOTES:-

1. WHEN CIRCUIT IS ASSOCIATED WITH AN UNDER 3db UNREPEATERED LINE ADD WIRING SHOWN THUS $\text{---} \times \text{---} \times \text{---}$
2. WHEN INCO' 3 SELECTORS ARE PROVIDED ADD WIRING SHOWN THUS $\text{---} \circ \text{---}$
3. ALL WIRING UNLESS OTHERWISE SPECIFIED TO BE 20 SWG.
4. FOR B/W WORKING CONNECT TO GBW 13620 (OR EQUIV.) FOR UNIDIRECTIONAL WORKING THE P, MH, & JS LEADS ARE NOT CONNECTED & +VE & -VE LEADS ARE CONNECTED TO JUNCTION FOR I.V.F. WORKING MH. & JS. ARE NOT CONNECTED AND P₊, P₋, ARE CONNECTED TO I/C I.V.F. GBW 15060 OR EQUIV.
5. ON SOME EARLY EQUIPMENT BATTERY WIRING COLOUR IS BK.

TRAF. RECDR. WAS U/D REL. SETS ONLY. NOTE 5 CHANGED (872) CONNS. FOR I.V.F & TRAF. RECDR. ADDED (57133) LEAD TO UAX NIGHTSWITCHING ADDED (33833) LEADS TO CALL TRAP CCT. DELETED (10576) (34079)				5	9-12-68	<i>[Signature]</i>	JUNCTION RELAY SET INCOMING JCN. FROM U.A.X. N.Z. NO 13 (PARENT) FOR S.C.S. SW. BD. 2000 TYPE
				4	7-5-62	<i>[Signature]</i>	
				3	21-8-59	<i>[Signature]</i>	
				2	14-3-58	<i>[Signature]</i>	
				1	24-12-54	<i>[Signature]</i>	
AMENDMENT PARTICULARS				ISSUE	DATE	APPD	REF GS 3. 21. 18.
N.Z.P.O.				DRAWN	CHECKED	WIRING	CIRCUIT
GBU 13630							50V W