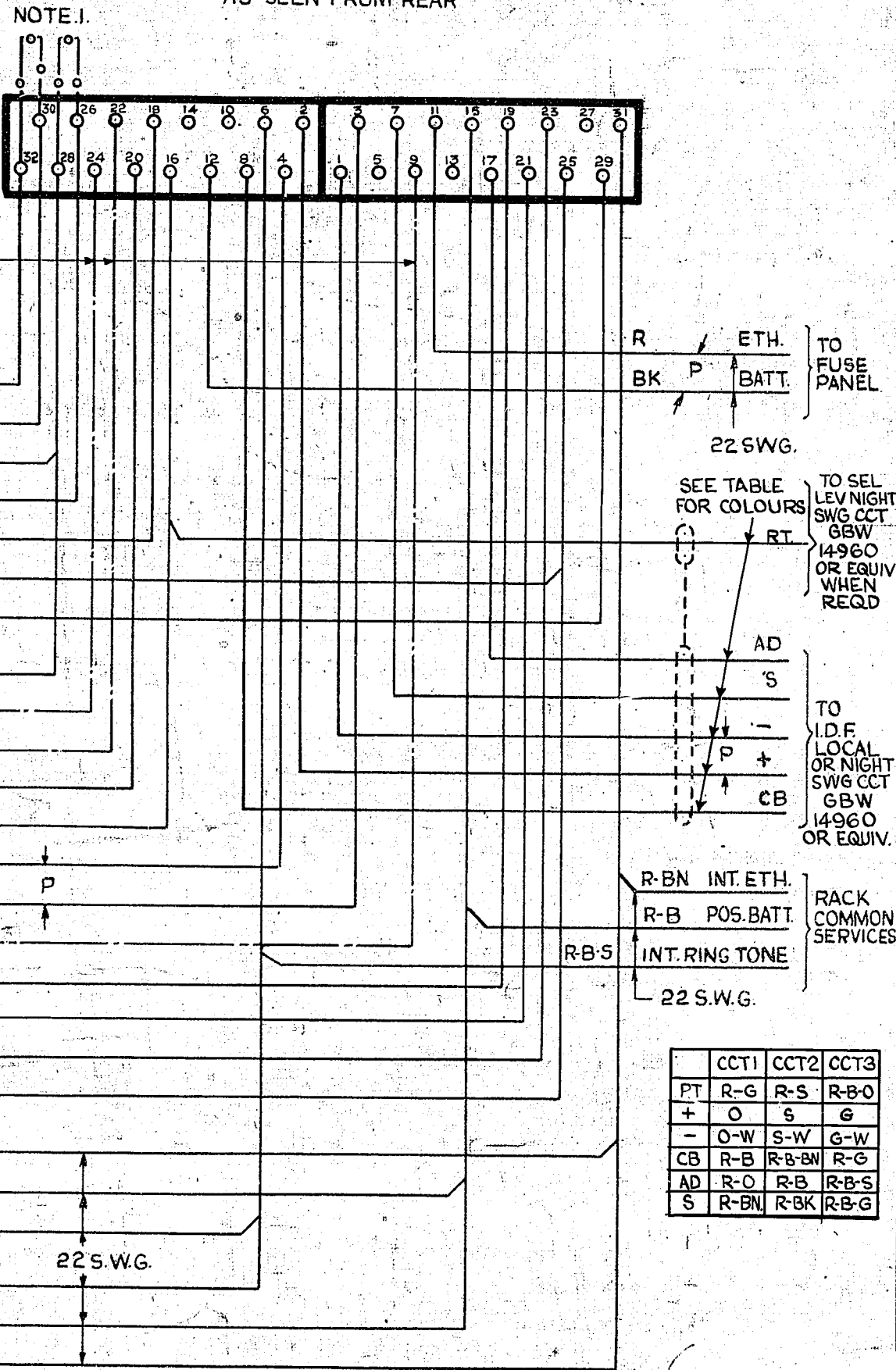


FIG. 1

AS SEEN FROM REAR



NOTES:-

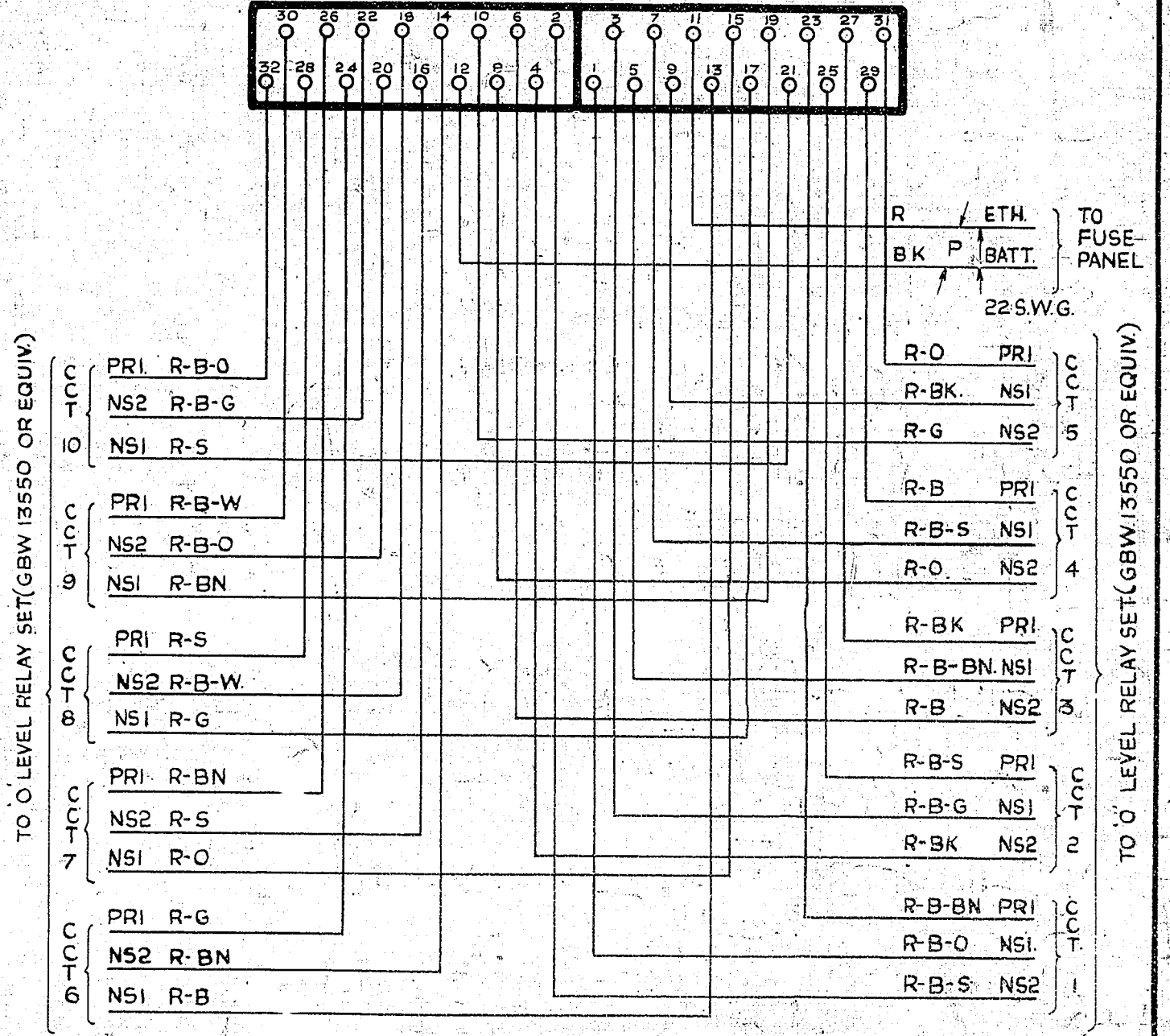
1. WHEN ALARM EXTENSION CIRCUIT IS USED DISCONNECT STRAPS SHOWN THUS
2. ALL WIRING TO BE 25 S.W.G. UNLESS OTHERWISE SPECIFIED.
3. WHEN 'O' LEVEL RELAY SET IS USED IN CONJUNCTION WITH FIGS. 2A, 2B. (NIGHT BUSIED) OMIT WIRING SHOWN THUS.

FIG.

2A. 10 CCTS. PER BASE

2B. 5 CCTS. PER BASE (CCTS 1-5)

AS SEEN FROM REAR



ADAPTOR CIRCUIT FOR NIGHT SWITCHING OF 'O' LEVEL CALLS FROM A.M.X SCS. MAN. BD. TO MAIN 2000 TYPE			
IN FIG 1 LEAD TO GBW 14960 ADDED (29509)	2	8-12-59	<i>[Signature]</i>
(65455)	1	8-8-55	<i>[Signature]</i>
AMENDMENT	PARTICULARS.	ISSUE DATE	APPD
NZPO	DRAWN 1.0	CHECK	WIRING CIRCUIT

50V W

GBU 13540

5 Centimetres

10

15

20

25

30