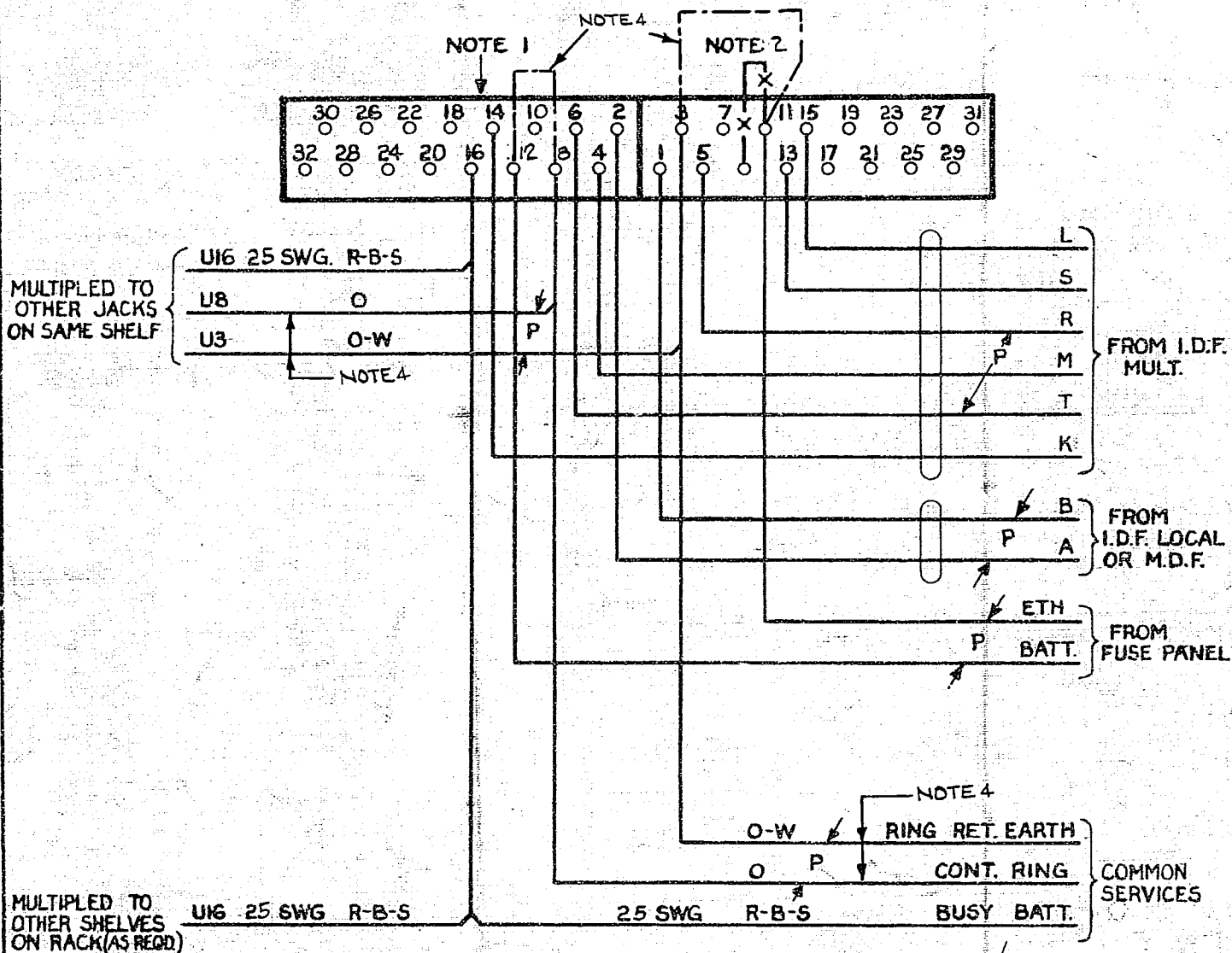


AS SEEN FROM REAR



NOTES:-

1. IN ADDITION TO SHELF JACK POINTS U9 & U11, U14 & U16 TO MAKE CONTACT WHEN RELAY SET IS REMOVED.
2. U9-U11 TO BE STRAPPED WHEN CCT. IS ASSOCIATED WITH AN UNDER 3 DB UNREPEATERED LINE.
3. ALL WIRING TO BE 22 SWG. UNLESS OTHERWISE SPECIFIED.
4. WHEN USED IN CONJUNCTION WITH GBW 15310 DISCONNECT RING & RING RETURN LEADS & ADD STRAPS U8-U12 & U3-U11 AS SHOWN

SLEEVE CONTROL SYSTEM
TRUNK SUBSCRIBER
B/W MAGNETO
2000 TYPE

NOTE 4 AND REFS ADDED				(10514)	2	10-3-58	AGC	
				(31559)	1.	5.5-54	CW	
AMENDMENT PARTICULARS				ISSUE	DATE	APPD	REF	
							50V H	
N.Z.P.O.				DRAWN	CHECKED	WIRING	CIRCUIT	
				B.S.Y.	AC	AC		
GBU 13060								

0
5 Centimetres
10
15
20
25
30