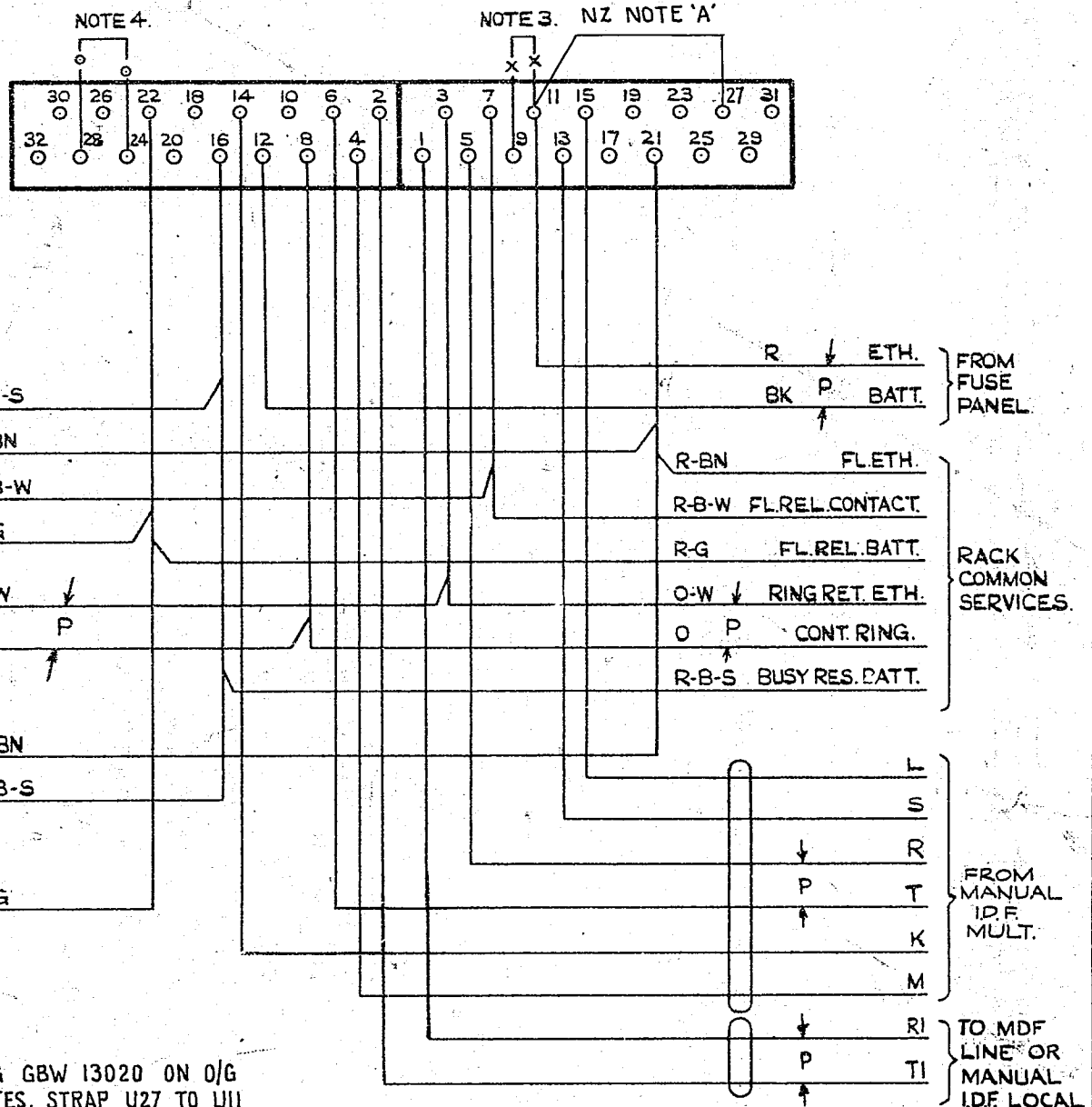


AS SEEN FROM REAR



MULT TO OTHER JACKS ON SAME SHELF.

MULT TO OTHER SHELVES ON RACK

MULT TO OTHER SHELVES ON RACK SERVED BY SAME FL RELAY

NZ NOTE 'A'

AT EXCHANGES USING GBW 13020 ON D/G UNIDIRECTIONAL ROUTES, STRAP U27 TO U11 FOR BOTHWAY AND UNIDIRECTIONAL I/C RELAY SETS.

NOTES.

1. SHELF JACK U POINTS 9&11, 14&16 MAKE CONTACT WHEN RELAY SET IS REMOVED
2. ALL WIRING TO BE 20SWG UNLESS OTHERWISE SPECIFIED.
3. U POINTS 9&11 TO BE STRAPPED AS SHOWN THIS WHEN CIRCUIT IS ASSOCIATED WITH AN UNDER 3db UNREPEATERED LINE.
4. U POINTS 24&28 TO BE STRAPPED AS SHOWN THIS WHEN THIS CIRCUIT IS USED AS SIDE CIRCUIT ON PHANTOM.

NZ NOTE A ADDED (93935)	5A	3-3-69	<i>JL</i>	SLEEVE CONTROL SYSTEM BOTHWAY TRUNK GENERATOR SIGNALLING PAD CONTROL 2000 TYPE.	
TI & RI WERE SHOWN TO MDFL ONLY (35575)	5	10-3-61	<i>MB</i>		
L-M & TI RI WERE SHOWN FROM TOLL IDFM&L RESPY (35576)	4	28-11-60	<i>AK</i>		
TI & RI WERE SHOWN CABLED TO I.D.F. MULT. (42044)	3	24-5-55	<i>WV</i>		
REDRAWN	2				
AMENDMENT PARTICULARS.	ISSUE DATE	APPD.	REF: GS3-21-3	SOV W	
N.Z.P.O.	DRAWN D.S.	CHECKD.	WIRING.	CIRCUIT.	GBU 13020

