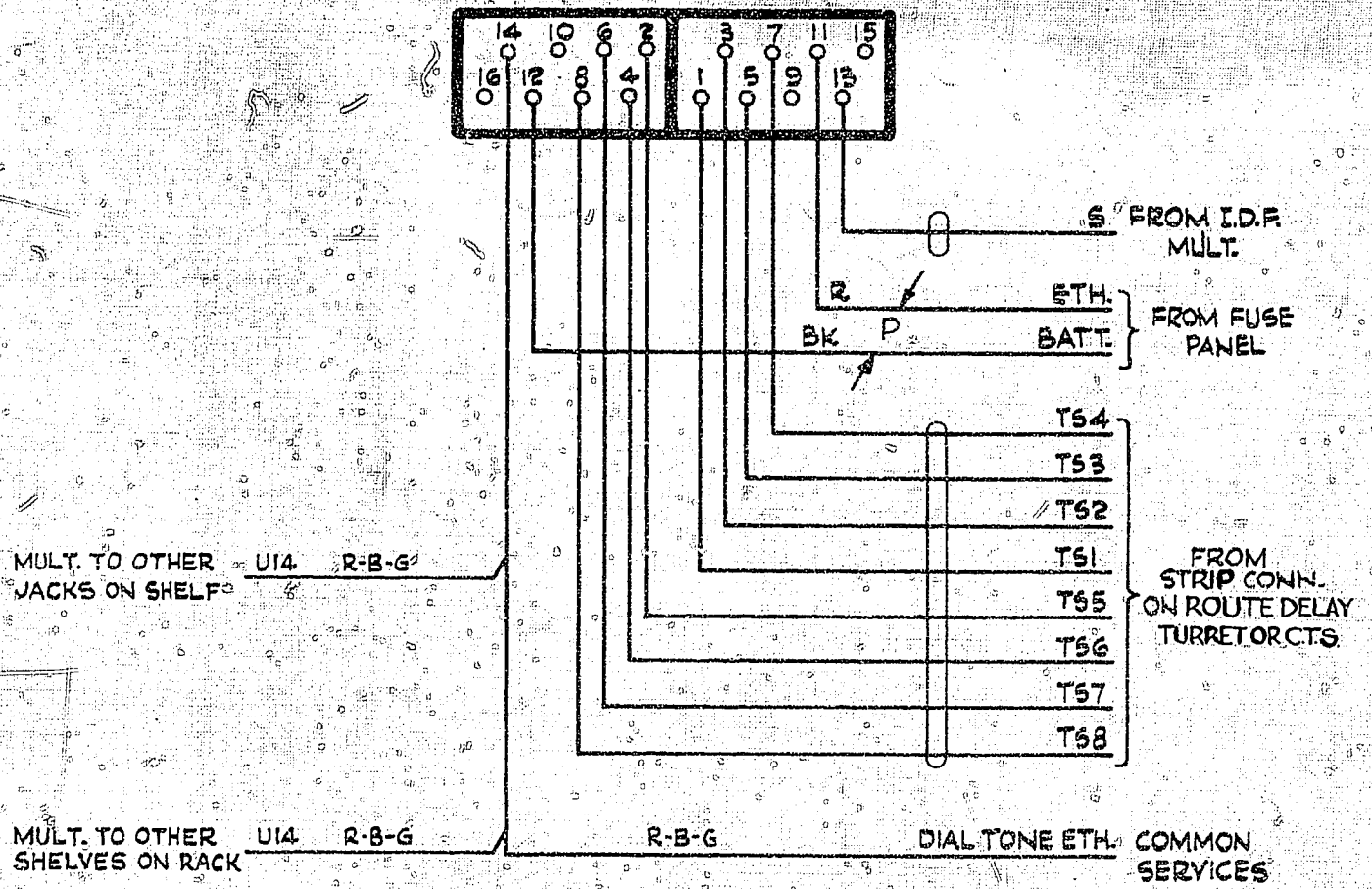


AS SEEN FROM REAR



NOTES:-

1. ALL WIRING TO BE 20S.W.G UNLESS OTHERWISE SPECIFIED.

						AURAL ROUTE DELAY CIRCUIT	
REF TO STRIP CONN. REVISED		(65511)	2	15-8-55	CMH		
		(31-559)	1	5-5-54	CMH		
AMENDMENT PARTICULARS			ISSUE	DATE	APPD	REF	50Y H
N.Z.P.O.		DRAWN DE	CHECKED ED	WIRING ED	CIRCUIT	GBU 12930	

