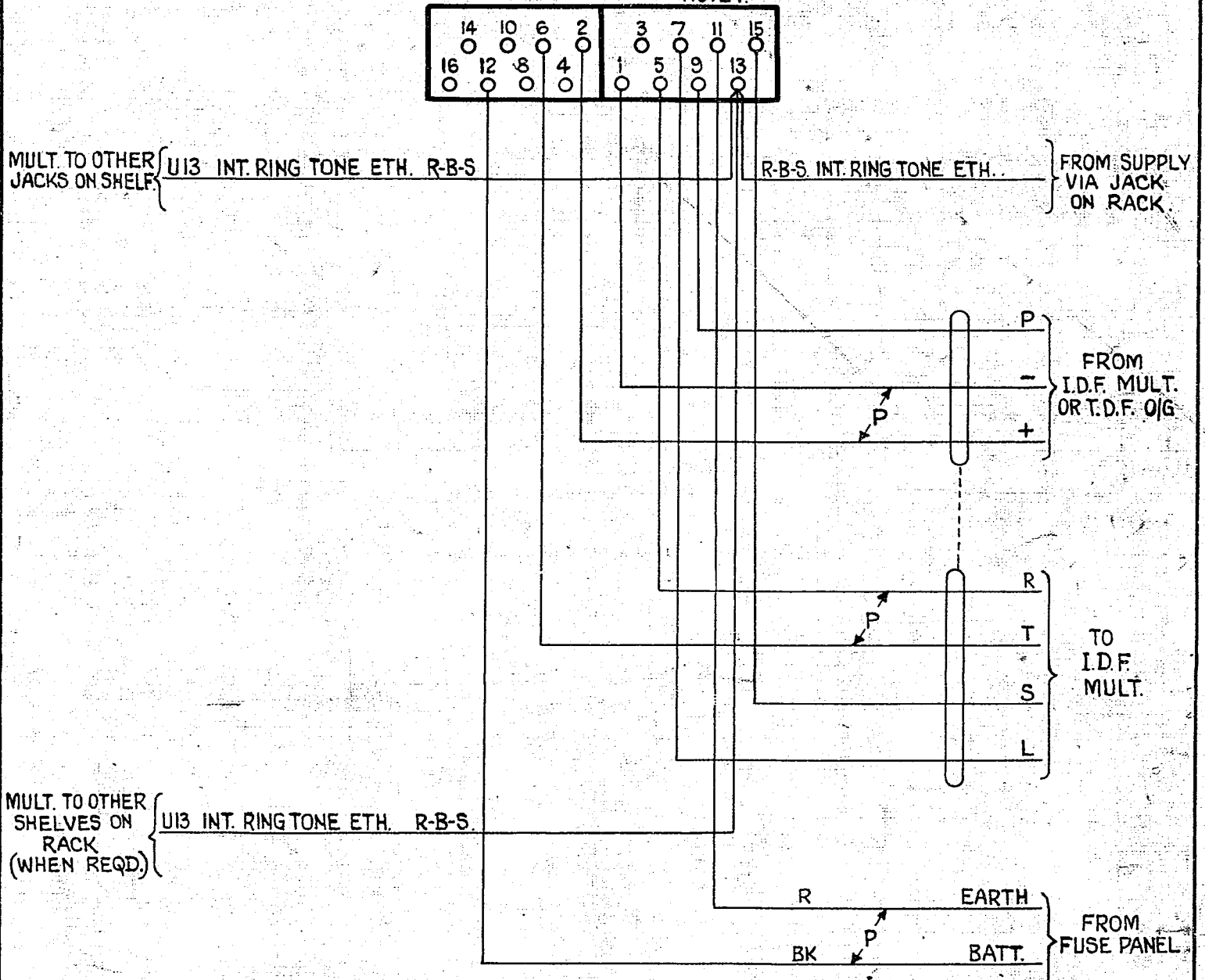


AS SEEN FROM REAR

NOTE 1.



NOTES.

1. U9 & 11 TO MAKE CONTACT WHEN RELAY SET IS REMOVED.
2. ALL WIRE UNLESS OTHERWISE STATED TO BE 20 S.W.G.

				SELECTOR LEVEL RELAY SET LOCAL & INCOMING LEVELS IN MAIN EXCHANGE S.C.S. 2000 TYPE			
NOTE 3 DELETED, TITLE AMENDED						(66454)	2
				(31481)	1	4.5.54	Art
AMENDMENT PARTICULARS				ISSUE	DATE	APPD	50V C
N.Z.D.O.				SCC		GBU 12180	