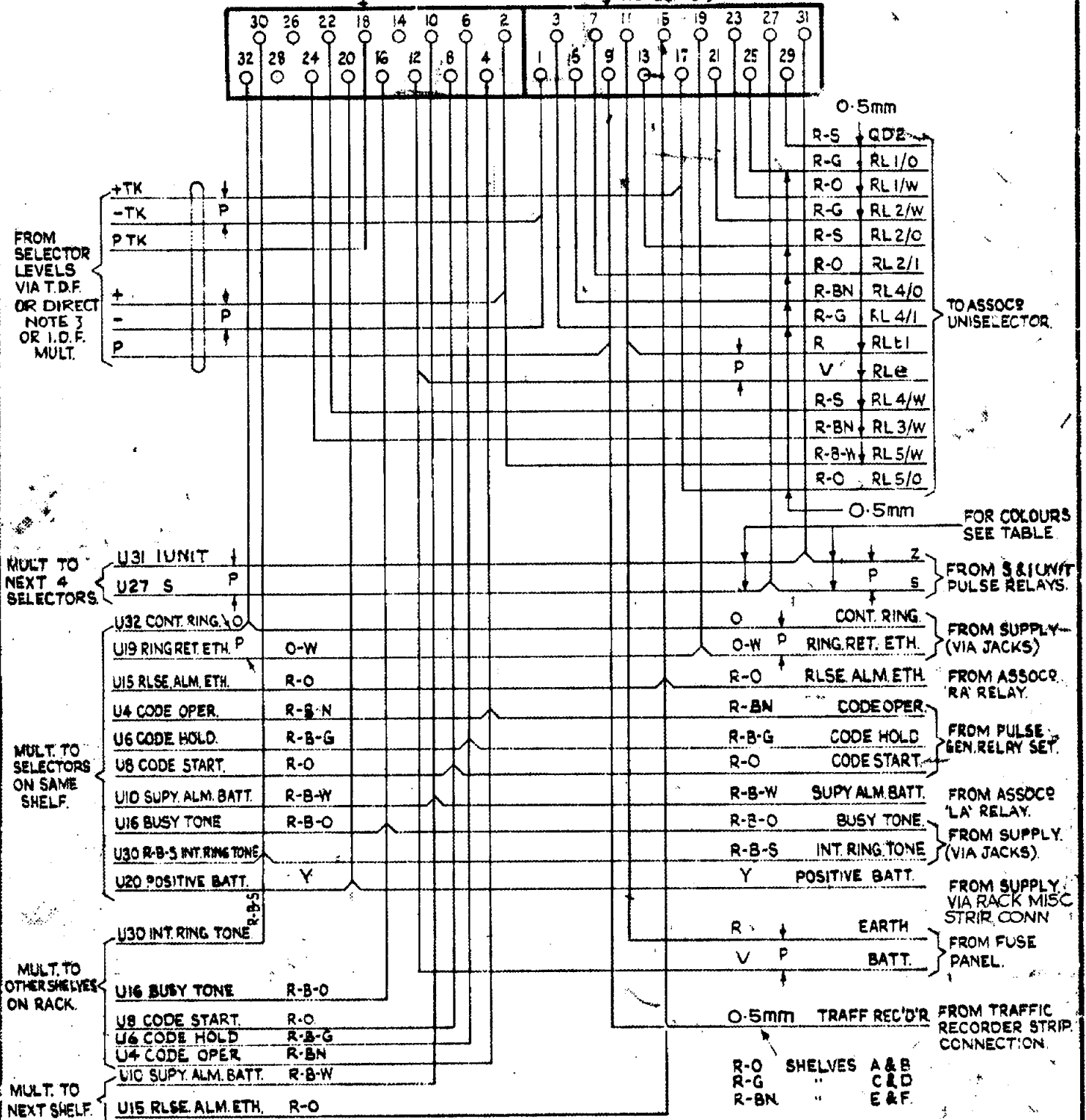


AS SEEN FROM REAR.

NOTES 1 & 3



NOTES.

1. JACK POINTS U9 & U11 TO MAKE CONTACT WHEN SELECTOR IS REMOVED.
2. ALL WIRING TO BE 0.7mm UNLESS OTHERWISE SPECIFIED
3. WHEN OUTLETS FROM GROUP SELECTORS ARE CABLED DIRECT. THE FOLLOWING STRAPS MUST BE APPLIED:-
 - (a) WHEN THE SELECTOR IS A COMBINED TYPE STRAP U POINTS 9 & 18.
 - (b) WHEN THE SELECTOR IS AN ORDINARY TYPE STRAP U POINTS 11 AND 18.
 - (c) WHEN NO SELECTOR IS EQUIPPED STRAP U POINTS 9 & 11 & 18.
4. ON SOME EARLY EQUIPMENT COLOUR OF BATT. WIRING WAS BK. AND POSITIVE BATT WAS R-B.

U27	U31	SELECTORS.
G	G-W	1-5 SHELVES A & D
B	B-W	6-10 " A & D
O	O-W	1-5 " B & E
BN	BN-W	6-10 " B & E
S	S-W	1-5 " C & F
W	R-W	6-10 " C & F

IMPERIAL WIRE SIZES. AMD TO METRIC (30436)	7	24.5-72	B.5-H.
NOTE 4 ADDED. (13449)	6	9-10-69	R.W.
REF. TO I.D.F. MULT ADDED TO LEADS FROM SELR. LEVELS	5		
PTK LEAD WAS CONNECTED TO U9 NOTES 2 & 3 AMENDED	4		
POSITIVE BATT DISTRIBUTION REVISED. UNIT PULSE WAS Z	3		
UNISELR RL WAS SHOWN AS O	2		
	1		

IOOLINE RURAL FINAL SELECTOR
ORDINARY & TOLL
POSITIVE BATTERY METERING.
2000 TYPE

AMENDMENT PARTICULARS	ISSUE	DATE	APPD	REF-	SIZE	F	50V	S

GBU 11800

NZ.P.O.	DRAWN	CHECKED	WIRING	CIRCUIT
	G.T.S.	F.J.O.		S.P.A.