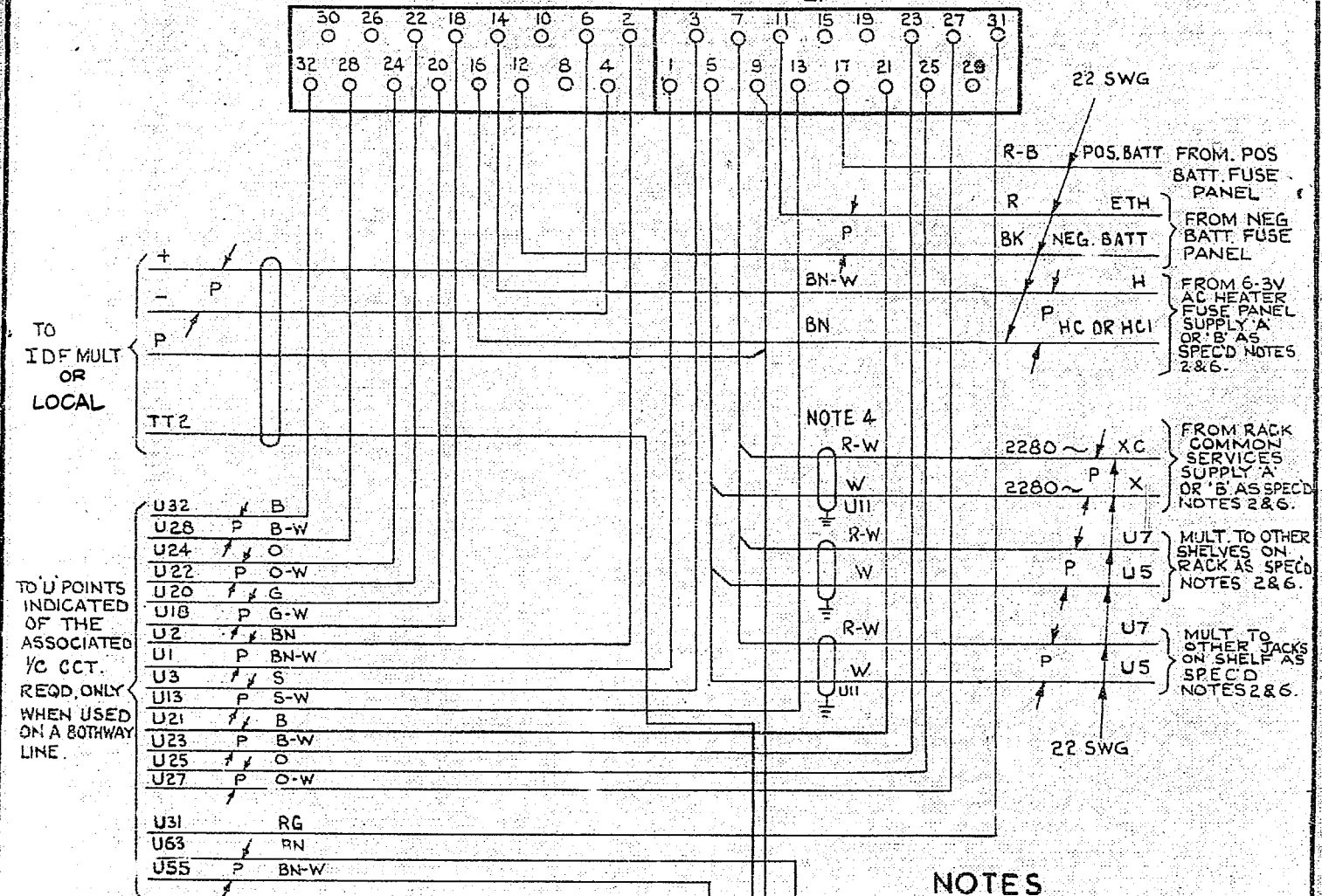


AS SEEN FROM REAR

NOTE 1



Centimetres 5 10 15 20 25 30

TO IDF MULT OR LOCAL

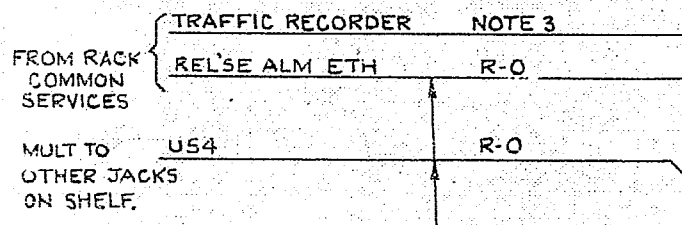
TO 'U' POINTS INDICATED OF THE ASSOCIATED 1/2 CCT. REQD. ONLY WHEN USED ON A BOTHWAY LINE

- U32 B
- U28 P B-W
- U24 O
- U22 P O-W
- U20 P G
- U18 P G-W
- U2 BN
- U1 P BN-W
- U3 S
- U13 P S-W
- U21 B
- U23 P B-W
- U25 O
- U27 P O-W
- U31 RG
- U63 RN
- U55 P BN-W

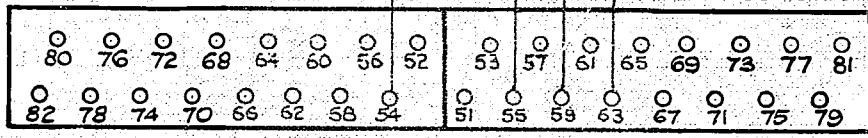
NOTE 4

NOTES

1. SHELF JACK U POINTS 9&11 TO MAKE CONTACT WHEN RELAY SET IS REMOVED.
2. THE FOLLOWING RELAY SET POSNS ARE SERVED BY SUPPLY A  
SHELVES A, C&E POSN'S 1,2,5,6,9&10  
SHELVES B, D&F POSN'S 3,4,7,8  
THE FOLLOWING RELAY SET POSNS ARE SERVED BY SUPPLY B  
SHELVES A, C&E POSNS 3,4,7&8  
SHELVES B, D&F POSNS 1,2,5,6,9&10.
3. COLOUR FOR 1ST PAIR OF SHELVES R-O  
" 2ND " " R-G  
" 3RD " " R-BN
4. THE SCREENS (OF THE SCREENED PAIRS) TO BE BONDED TOGETHER TO FORM AN ELECTRICALLY CONTINUOUS SCREEN AND CONNECTED TO EARTH AT U11 ON THE FIRST RELAY SET ON THE FIRST SHELF WITH 22 SWG. RED
5. ALL WIRING UNLESS OTHERWISE SPEC'D TO BE 25 SWG.



6. 6.3VAC HEATER AND 2280 ~ OSC. SUPPLY LEADS ARE WIRED TO SHELF 'U' P'TS BUT NOT USED ON THE CCT.
7. ON EARLY EQUIPMENT'S PRIOR TO ISSUE 2 THE LOWER 'U' POINT TERMINAL STRIP WAS 16 WAY



				O/G IVF LINE CIRCUIT	
				FOR BOTHWAY WORKING	
LOWER UPT. TERM. STRIP WAS 16 WAY NOTE 4 AMENDED & NOTE 7 ADDED (42723)		2	22-8-61	REF: 50V S	
(35368)		1	10-11-60		
AMENDMENT PARTICULARS		ISSUE	DATE	APPD	
N.Z.P.O.		DRAWN	CHECKED	WIRING	CIRCUIT
		W.T.R.	J.C.	W.R.	E.W.D.
				GBU 11680	