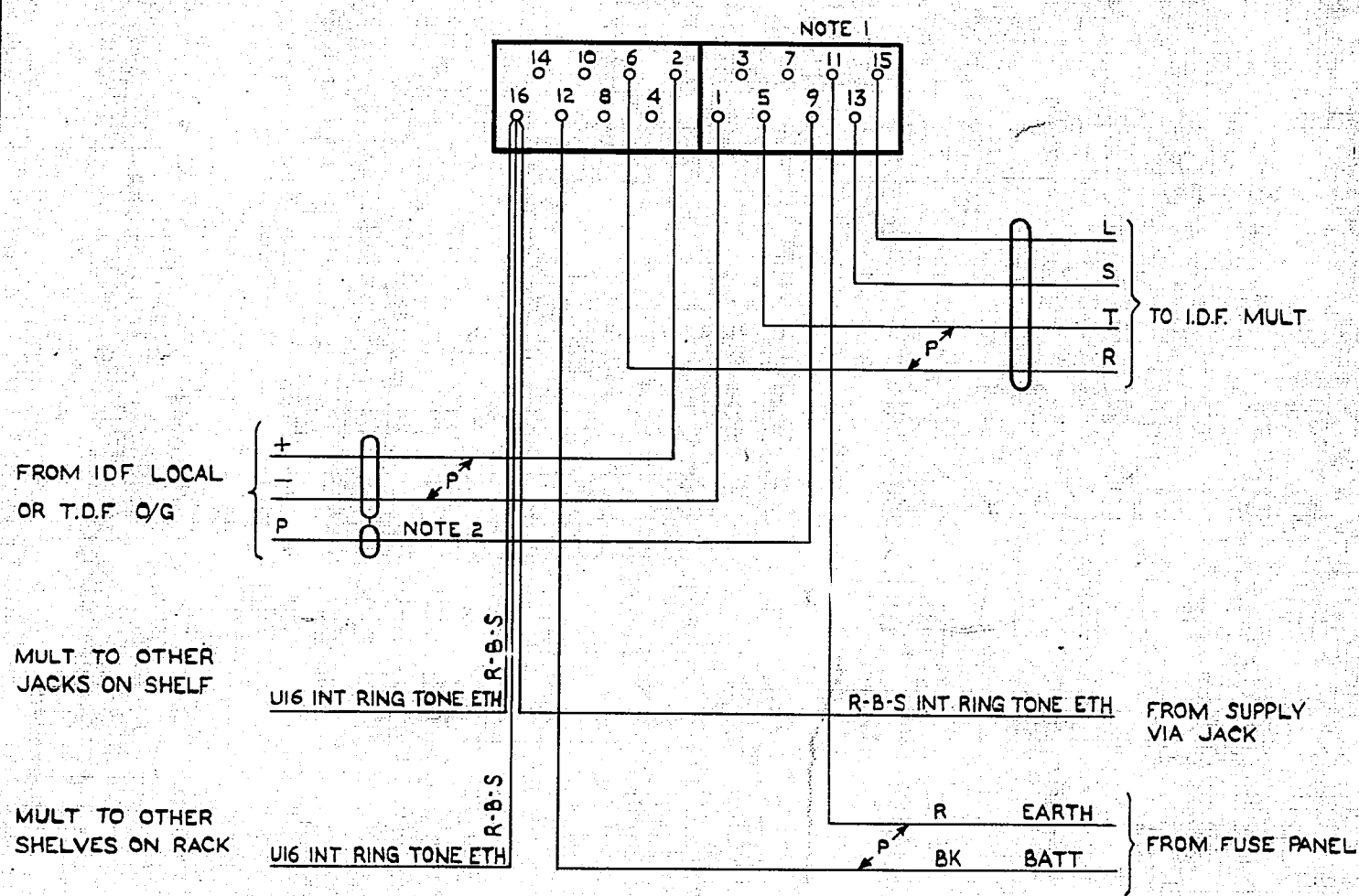


0  
5 Centimetres  
10  
15  
20  
25  
30

AS SEEN FROM REAR



NOTES

1. JACK POINTS U9 & U11 TO MAKE CONTACT WHEN RELAY SET IS REMOVED
2. P LEAD IS NOT CABLED WHEN CIRCUIT TERMINATES A JUNCTION
3. ALL WIRING TO BE 20 S.W.G. UNLESS OTHERWISE SPECIFIED

SUPERSEDED BY GBU 12490

				SELECTOR LEVEL RELAY SET	
				DIRECTORY SERVICE DESK AND	
				W.E. TYPE TOLL BOARD	
				2000 TYPE	
TITLE REVISED, CONN TO U8 & U14 DELETED(50645)		2	11.12.62	OBH	
AMENDMENT PARTICULARS		ISSUE	DATE	APPD	50V E
NZ.P.O.		DRAWN	CHECKED	WIRING	CIRCUIT
				GBU 11370	