

0
5 Centimetres
10
15
20
25
30

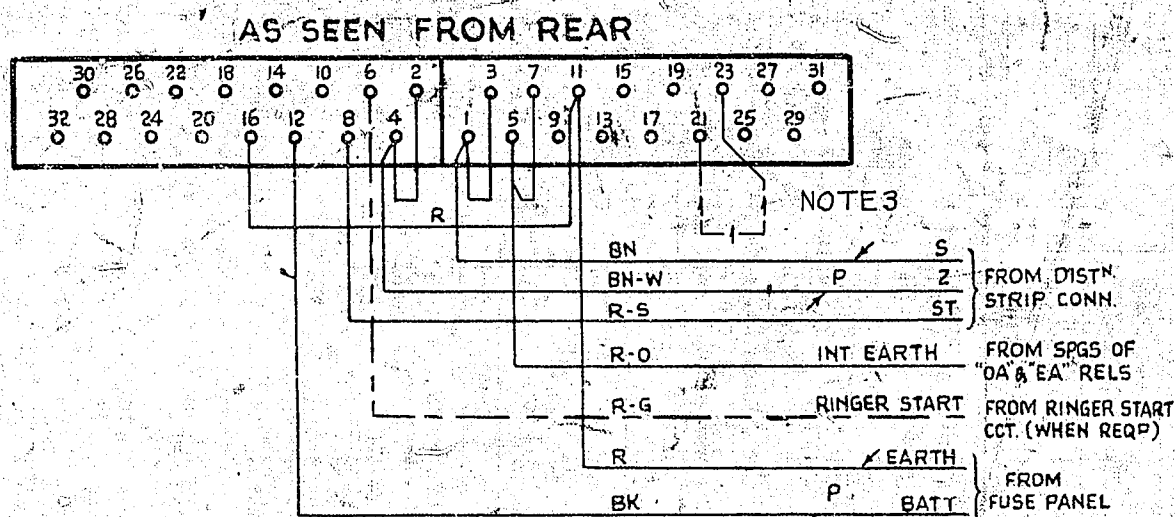


FIG 1A 9 SECS DELAY

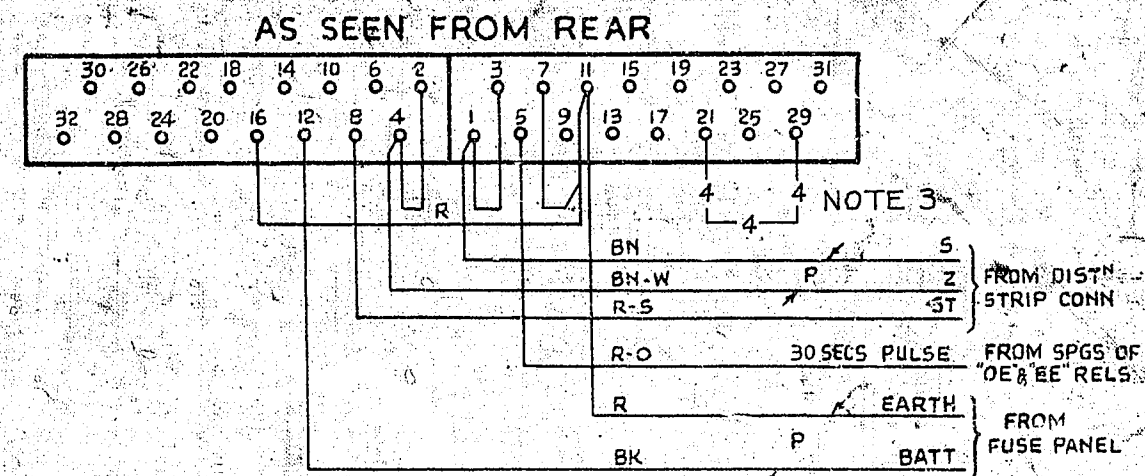


FIG 1D 3 MINS DELAY

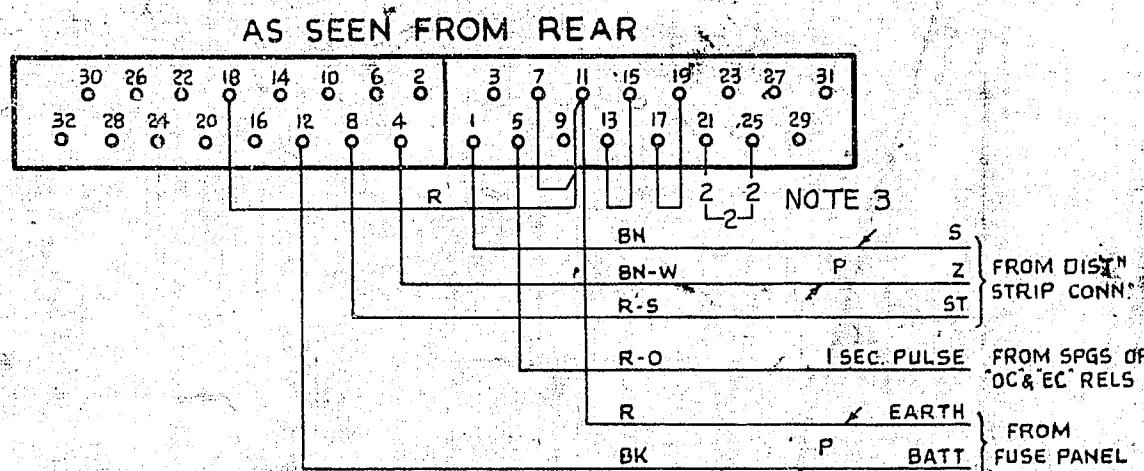


FIG 1B 20 SECS DELAY

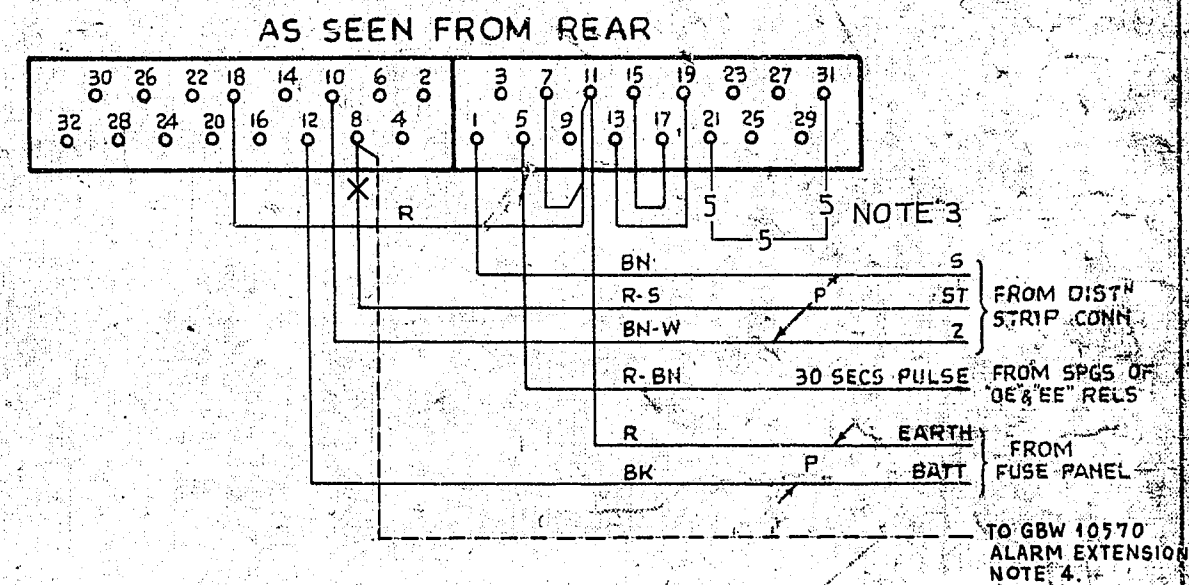


FIG 1E 6 MINS DELAY

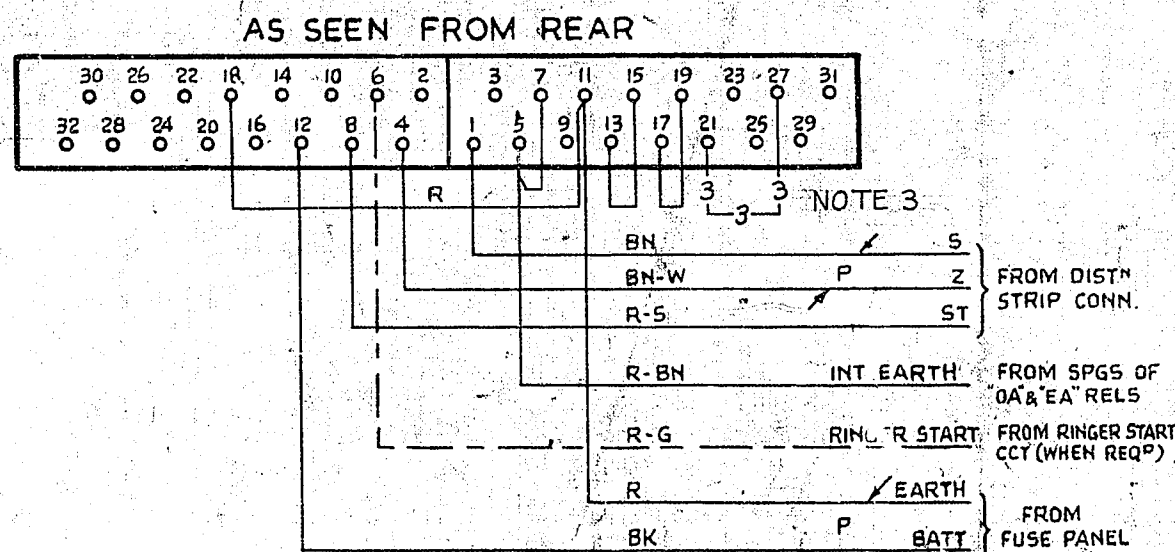


FIG 1C 30 SECS DELAY

NOTES

- 1 JACKS PTS U9 & U11 MAKE CONTACT WHEN RELAY SET IS REMOVED.
- 2 ALL WIRING TO BE 22 SWG UNLESS OTHERWISE SPECIFIED.
- 3 AT EXCHANGES WHERE ALARM DELAY RELAYSETS TO BOTH GBW 11290 & 11291 ARE EQUIPPED, ALL RELAYSET JACKS ARE TO BE CABLED & STRAPPED TO ALLOW EITHER TYPE OF RELAYSET TO BE USED. THIS WILL NECESSITATE ADDITION OF STRAPS USING CONNECTIONS 1-1, 2-2, 3-3, 4-4 & 5-5 TO FIGS 1A TO E RESPECTIVELY.
- 4 ON 6 MINS ALARM DELAY RELAY SETS REMOVE ST WIRE MARKED 'X' FROM U8 & CONNECT WIRE MARKED---

ALARM DELAY RELAY SET 2000 TYPE			
AMD TO NZM XI (42328)	B	13-12-83	GCG
NOTE 3 ADDED (18256)	A	22-1-71	B.S.H
AMENDMENT PARTICULARS	ISSUE	DATE	APPROV
N.Z. DC	DRAWN	CHECKED	WIRING ENGINEER
			30V
GBU 11290 11291 MOD A			