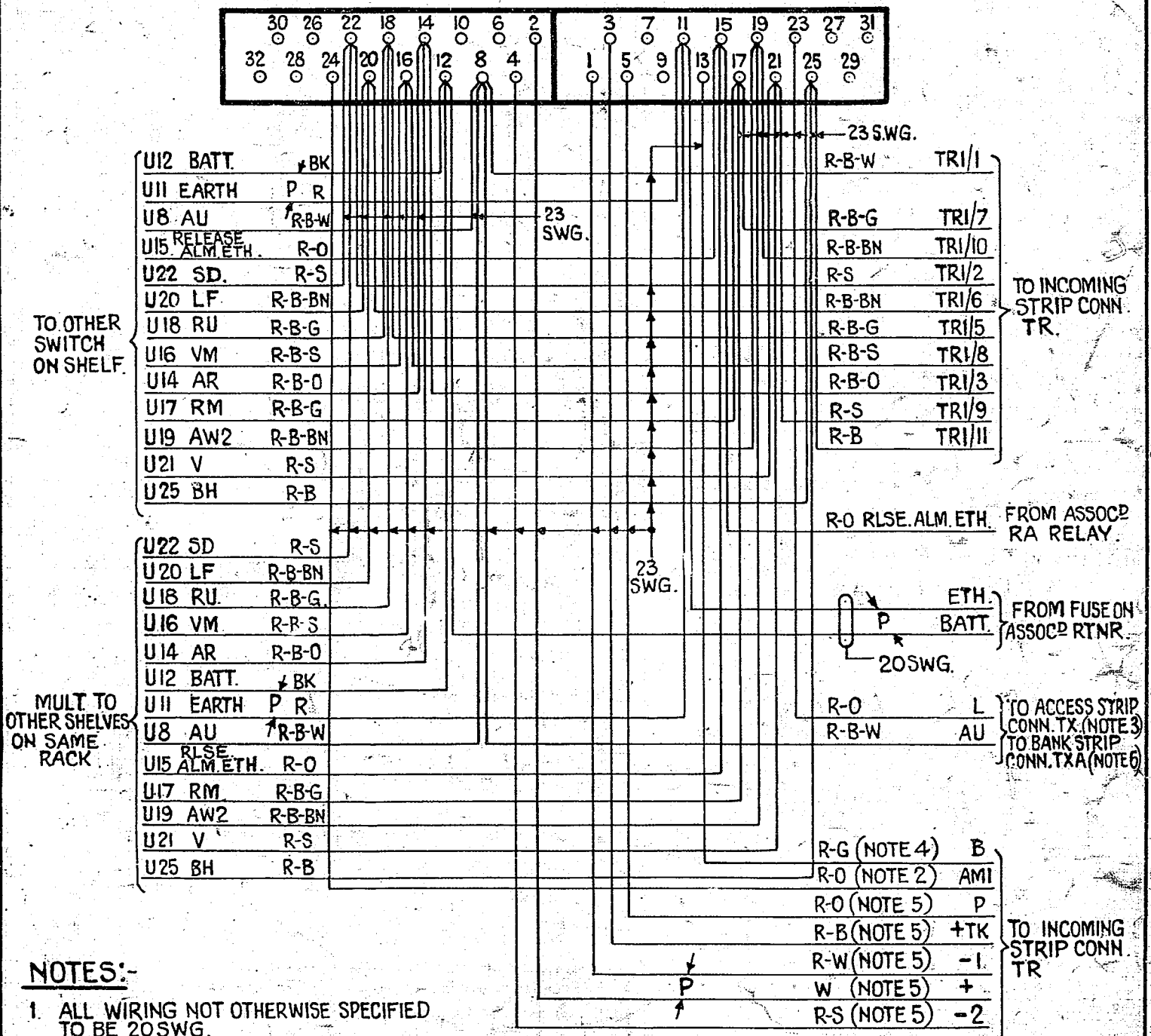


AS SEEN FROM REAR



NOTES:-

1. ALL WIRING NOT OTHERWISE SPECIFIED TO BE 20 SWG.
2. CIRCUITS 1 TO 6 TERMINATE ON TAGS TR 6/11 TO TR 6/16 RESPECTIVELY.
3. 1ST CCT. OF EACH SHELF WIRED TO TX 6/1, 2ND CCT. OF EACH SHELF WIRED TO TX 6/11.
4. CIRCUITS 1 TO 6 TERMINATE ON TAGS TR 1/12 TO TR 1/17 RESPECTIVELY.
5. CIRCUITS 1 TO 6 -1, -2, +P, +TK TERMINATE ON TAGS:
 (-1) TR 5/20 TO TR 5/25
 (-2) TR 6/20 TO TR 6/25
 (+) TR 4/20 TO TR 4/25
 (P) TR 7/20 TO TR 7/25
 (+TK) TR 2/20 TO TR 2/25
6. 1ST CCT. OF EACH SHELF WIRED TO TXA 8/1, 2ND CCT. OF EACH SHELF WIRED TO TXE 8/1

				ROUTINER FOR FINAL SELECTOR ACCESS SELECTORS FOR 200 OUTLET ORD & 2-10 PBX FS WITH OR WITHOUT TOLL FACILITIES 2000 TYPE	
NOTE 6. AMENDED	(314-31)	2	4-5-54	Ann	
AMENDMENT PARTICULARS	ISSUE	DATE	APP ^D		50V/C
G.P.O. APPROVED AS STANDARD					GBU 11270
N.Z.D.O.					