

0  
5 Centimetres  
10  
15  
20  
25  
30

AS SEEN FROM REAR

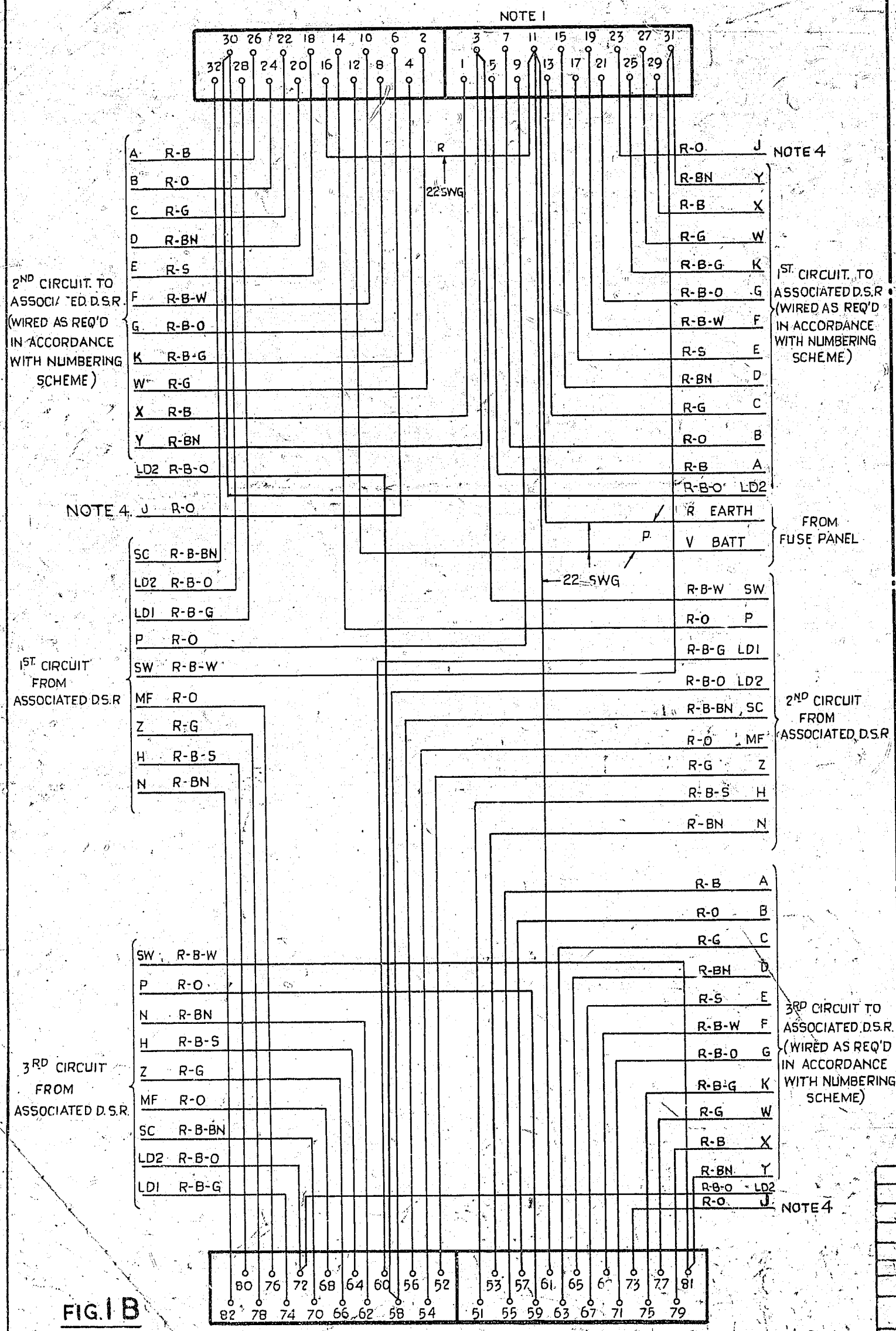


FIG. 1B  
DISCRIMINATING RELAY SET.

ABSORBS 1ST DIGIT. DISCRIMINATES ON 1ST & 2ND

AS SEEN FROM REAR

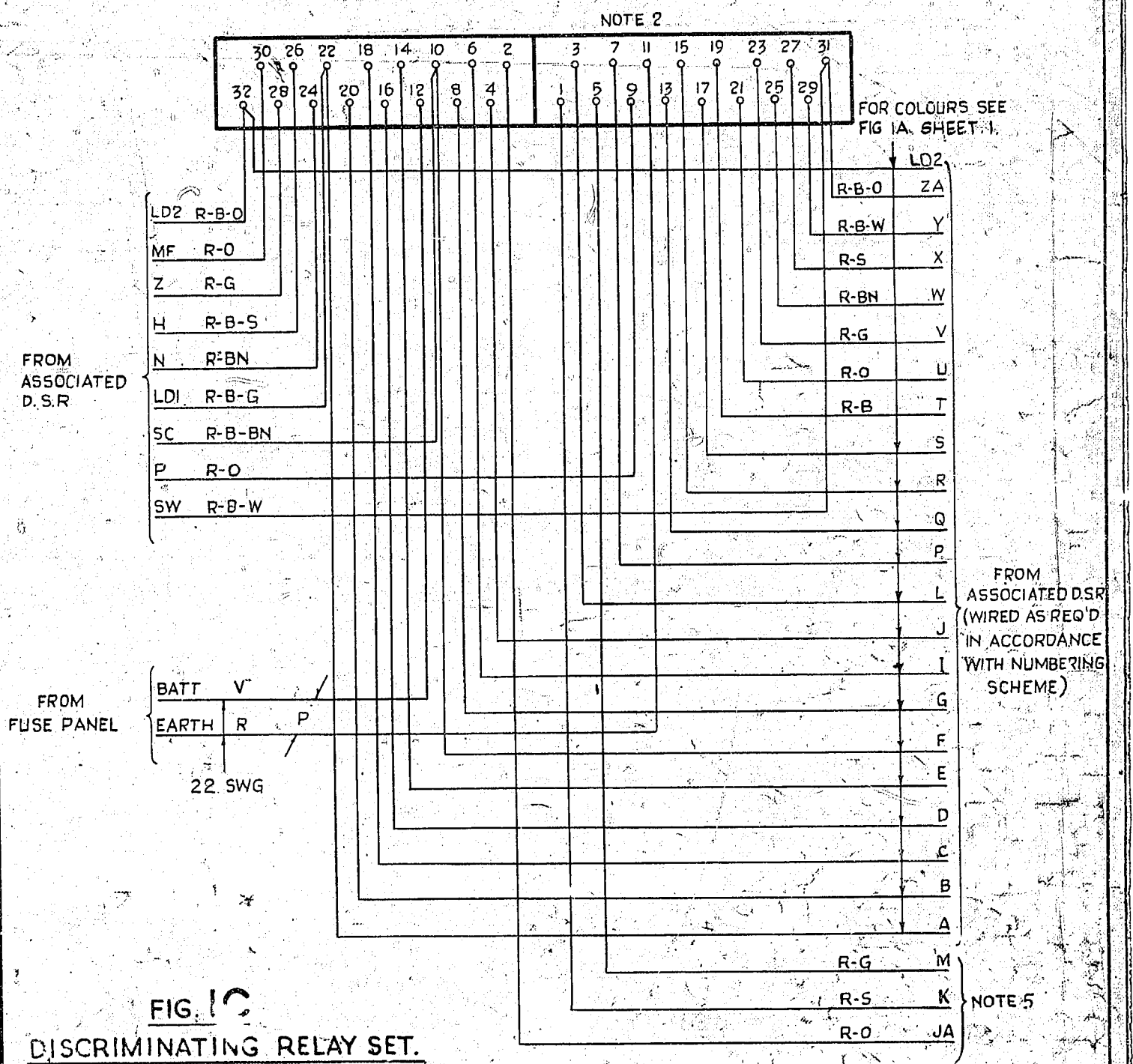


FIG. 1C  
DISCRIMINATING RELAY SET.

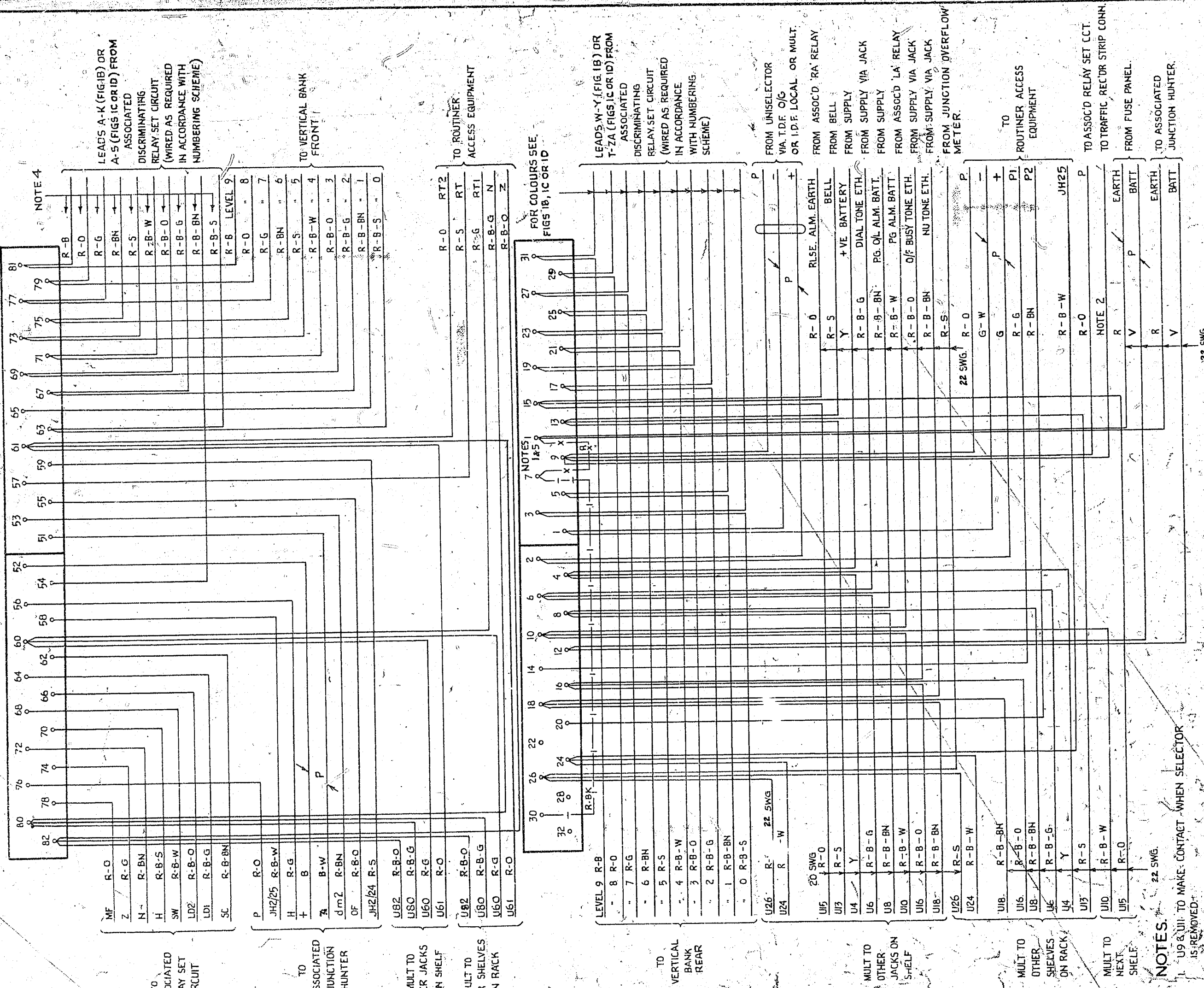
ABSORBS 1ST & 2ND DIGITS, DISCRIMINATES ON 1ST, 2ND & 3RD.  
(ONE CIRCUIT PER BASE)

NOTES

- 1 JACK POINTS U9 - 11 U14 & 16 AND U59 & 61 (FIG 1B) TO MAKE CONTACT WHEN RELAY SET IS REMOVED.
- 2 JACK POINTS U9 - 11 (FIG 1C) TO MAKE CONTACT WHEN RELAY SET IS REMOVED.
- 3 ALL WIRING TO BE 25 SWG UNLESS OTHERWISE SPECIFIED.
- 4 LEAD J (FIG 1B) IS LOOPED TO POINT ON SAME SHELF JACK AS REQUIRED IN ACCORDANCE WITH NUMBERING SCHEME.
- 5 LEADS M, K & JA (FIG 1C) ARE LOOPED TO POINTS ON SAME SHELF JACK AS REQUIRED IN ACCORDANCE WITH NUMBERING SCHEME.
6. ON SOME EARLY EQUIPMENT WIRING IS BK.

DISCRIMINATING SELF REPEATER REGULAR & PARTY LINE 2000 OUTLET 2000 TYPE			
NOTE 6 & DGM. N° 10424 ADDED (13432)	11	25/1/69	RW
NO CHANGE, ISSUE ADVANCED ONLY (46621)	10	1/9/66	NYC
10423 ADDED TO BGM. NUMBER (89768)	9	3/8/64	NYC
AMENDMENT PARTICULARS	ISSUE	DATE	APP'D
N.Z. P.O.	M	DRAWN	CHECKED
	WIRING	ENGINEER	
GBU 10420 10423 10421 10424 10422			SHEET 2-5

FIG. 1A. E. FOR G.  
D.S.R. REGULAR & PARTY LINE.  
AS SEEN FROM REAR.



NOTES.  
1. U9 & U11 TO MAKE CONTACT WHEN SELECTOR IS REMOVED.  
2. COLOUR FOR 1ST. PAIR OF SHELVES R-O R-G  
3. ALL WIRE TO BE 23 SWG. UNLESS OTHERWISE SPECIFIED.  
4. THESE COLOURS APPLY ONLY WHEN SELECTOR IS USED IN CONDUCTION WITH RELAY SET TO GBW 10420/11/12/13/14/15/16/17/18/19/20/21/22/23/24/25/26/27/28/29/30/31/32. WHEN USED WITH FIG 1B SEE GBW 10420 FIG 1B FOR COLOURS OF THESE LEADS.

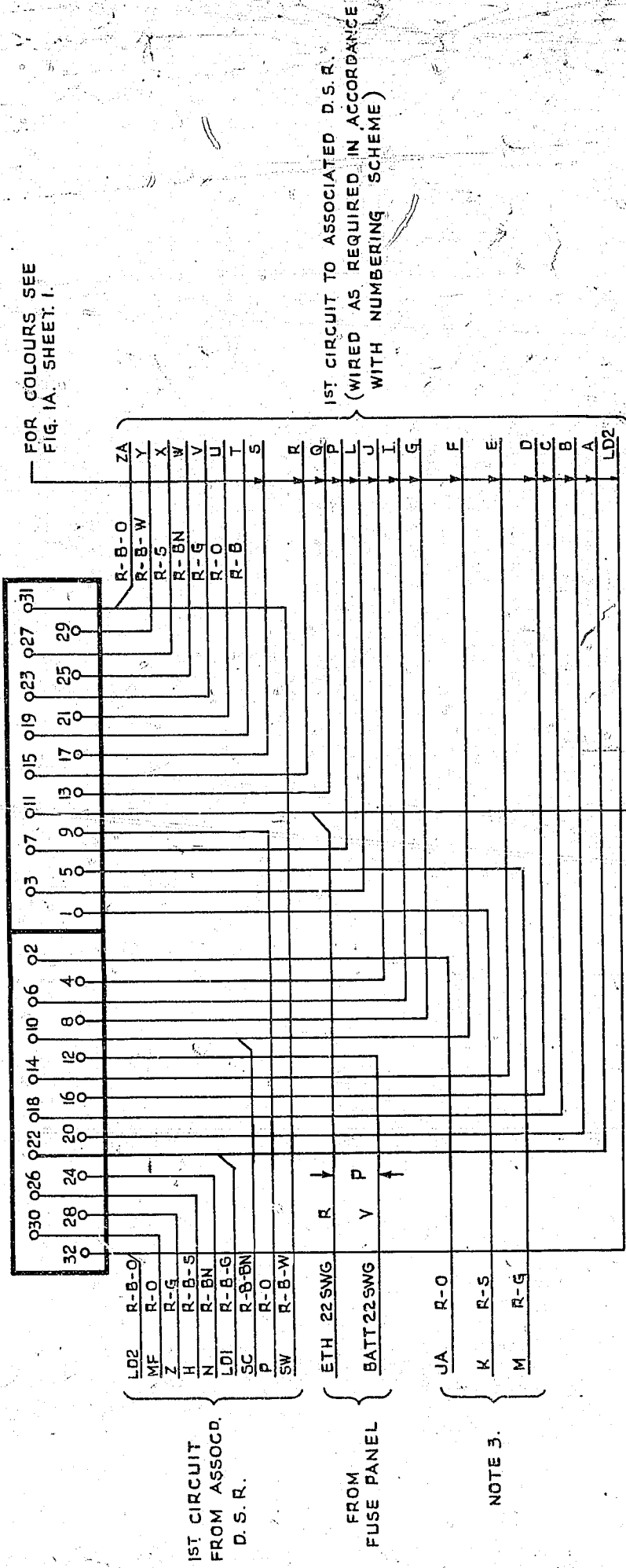
DISCRIMINATING SELR REPEATER REGULAR & PARTY LINE. 200 OUTLET 2000 TYPE			
NOTE 6 & DGM N° 10424 ADDED (13432)	11	28-11-69	RW
REF TO I.D.F. MULT ADDED (40621)	10	1-9-66	ML
10423 ADDED TO DGM NUMBER (89768)	9	31-8-64	ML
AMENDMENT PARTICULARS	ISSUE	DATE	APPO
NZ. P.O.	DRAWN	CHECKED	WIRED
GBU 10420 10423 10421 10424 10422			SHEET 1-3

5. ON SHELF JACKS MOUNTING D.S.R.S TO GBW 10421, GBW 10422 AND GBW 10423 ONLY WHEN METERING IS REQUIRED FOR ADJACENT SATELLITE EXCHANGE WORKING, ADD STRAP U7-U30 AND OMIT STRAP U7-U11. WHEN METERING IS NOT REQ'D, OMIT STRAP U7-U30 AND ADD STRAP U7-U11.  
6. ON SOME EARLY EQUIPT. NEG BATT WIRING IS BK AND POS. BATT WIRING IS R-B.

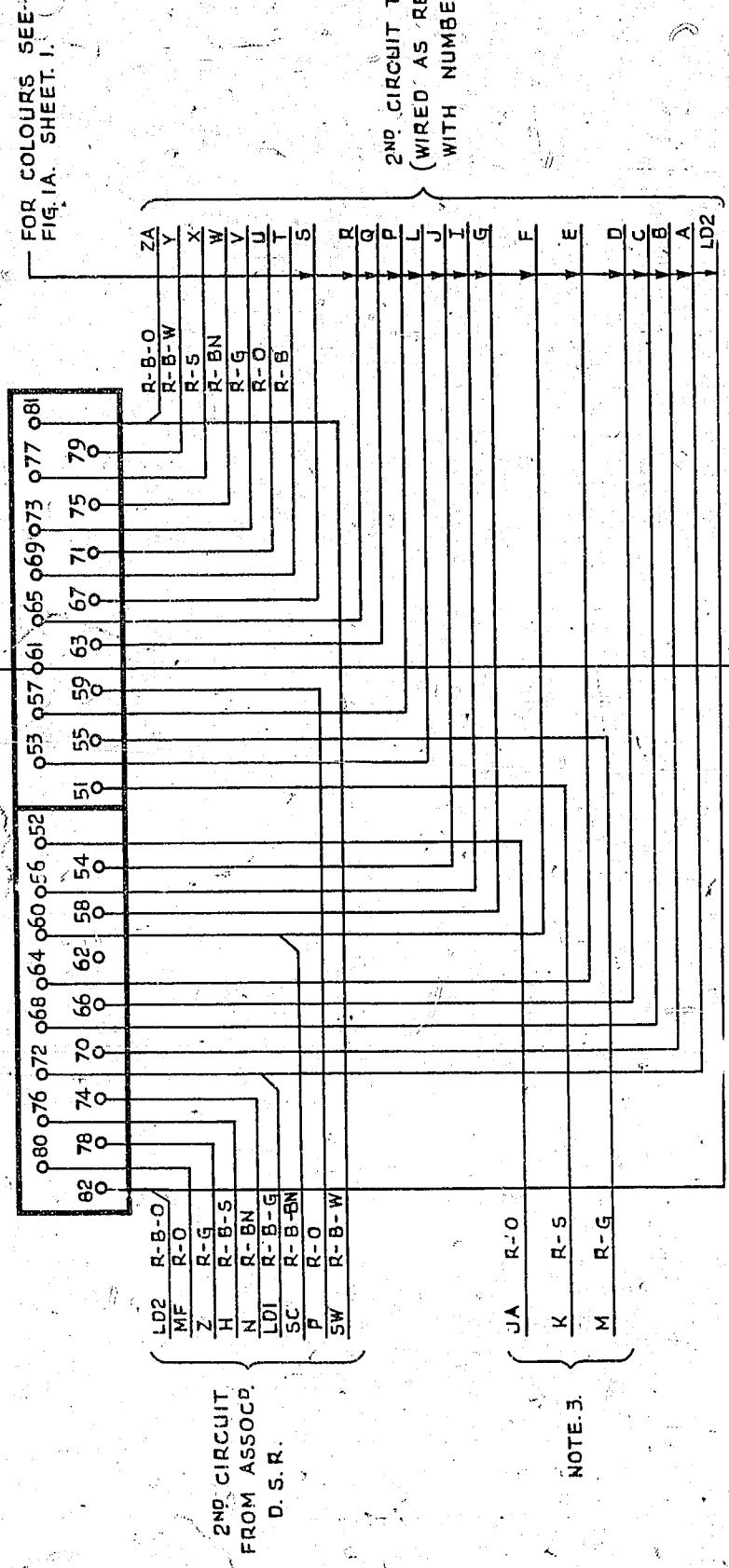


0 5 Centimetres 10 15 20 25 30

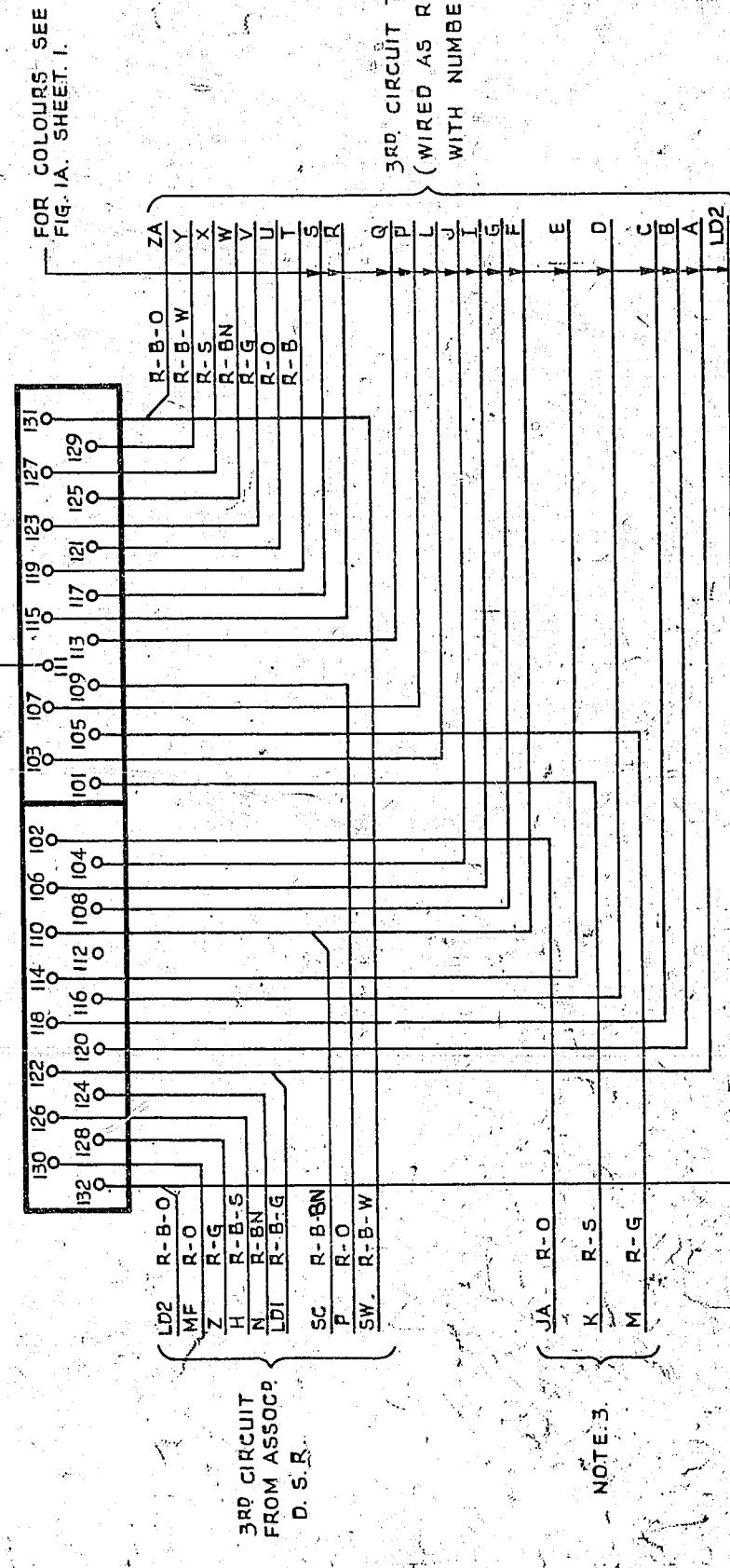
AS SEEN FROM REAR.



1ST CIRCUIT TO ASSOCIATED D.S.R.  
(WIRED AS REQUIRED IN ACCORDANCE WITH NUMBERING SCHEME)



2ND CIRCUIT TO ASSOCIATED D.S.R.  
(WIRED AS REQUIRED IN ACCORDANCE WITH NUMBERING SCHEME)



3RD CIRCUIT TO ASSOCIATED D.S.R.  
(WIRED AS REQUIRED IN ACCORDANCE WITH NUMBERING SCHEME)

NOTES:-

- ALL WIRING TO BE 25 SWG. UNLESS OTHERWISE SPECIFIED.
- JACK-POINTS U9 & U11, U59 & U61, U109 & U111 TO MAKE CONTACT WHEN RELAY SET IS REMOVED.
- LEADS M, K & JA ARE LOOPED TO POINTS ON SAME SHELF JACK AS REQUIRED IN ACCORDANCE WITH NUMBERING SCHEME.
- ON SOME EARLY EQUIPMENT BATTERY WIRING IS BK.

AMENDMENT PARTICULARS.	ISSUE	DATE	APPR.
NOTE 4 & DGM. N° 10424 ADDED (13432)	11	28-11-69	Rw
NO. CHANGE. ISSUE ADVANCED ONLY (26621)	10	1-9-66	
10423 ADDED TO DGM NUMBER (89768)	9	3-8-64	
NO CHANGE ISSUE ADVANCED ONLY (69524)	8	20-11-63	
ADDITIONAL LD2 LEADS ADDED (63507)	7	12-6-62	
NO CHANGE. ISSUE ADVANCED ONLY (41795)	6	26-5-61	
	(31668)	15	4-5-54

DISCRIMINATING SELF REPEATER  
REGULAR & PARTY LINE  
200 OUTLET  
2000-TYPE.

GBU 10420 10423  
10421 10424  
10422

SHEET 3-3

FIG. 1D.  
DISCRIMINATING RELAY SET.

ABSORBS 1ST & 2ND DIGIT  
DISCRIMINATES ON 1ST, 2ND & 3RD  
(3 CIRCUITS PER BASE.)