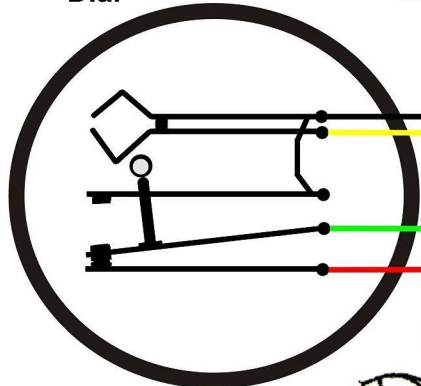


Northern Electric Model 1 Uniphone Equipped With a Northern Electric N14-MF Dial

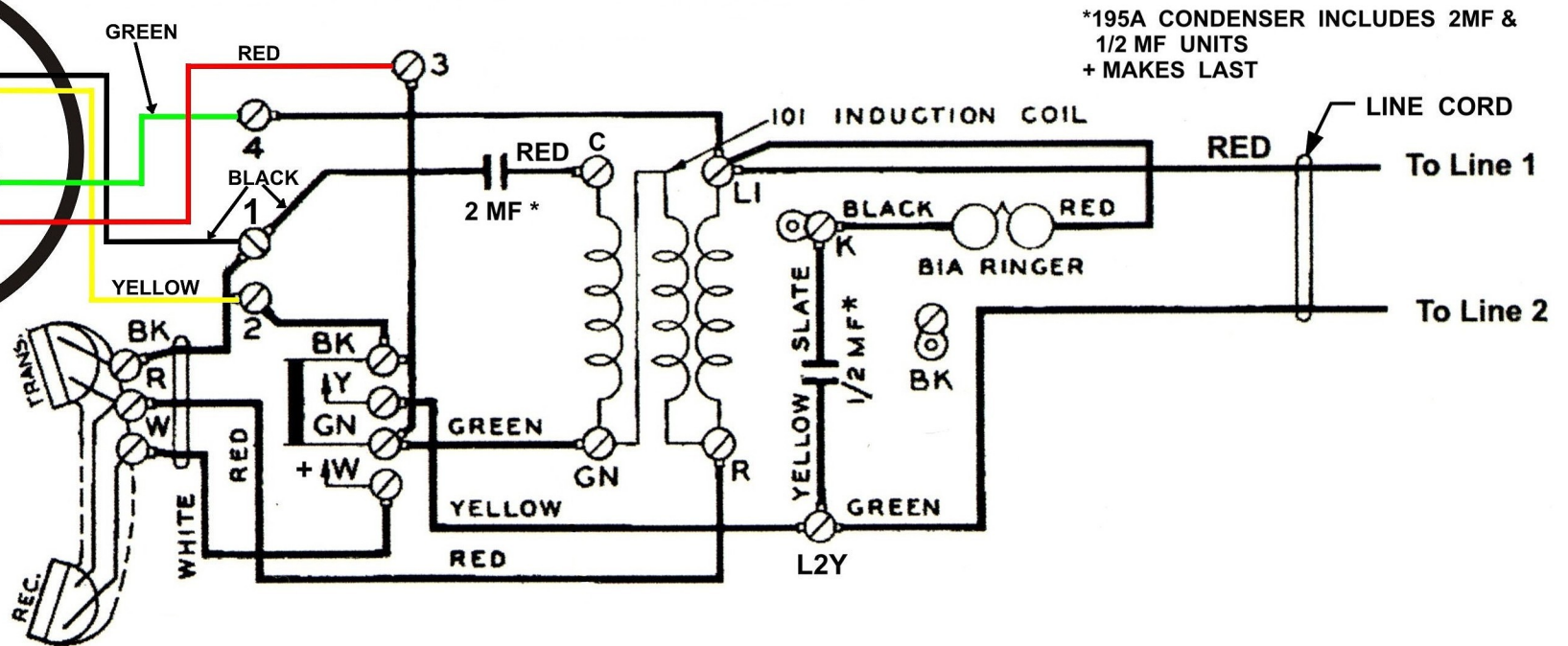
N.B. : The color coding on the 4 Conductors Which Comprise the Wiring Harness of the N14-MF Dial are as Indicated in this Schematic.

Be aware that in most, if not all, schematics produced by Northern Electric which depict the N14-MF dial in the telephone circuit, are electrically correct, but the drawing of the dial is deceptive. The top pulse spring is always shown as "YELLOW" (Y), and the bottom pulse spring as "BLACK" (BK), when in actual fact, it's the other way around. This schematic is physically and electrically correct. The jumper connection between the top "Black" pulse spring, and the top shunt spring is accomplished using a metal waffer in the spring switch pile up. There is no wire jumper present.

N14-MF Calling Dial



Dial Shown in the Normal Position or the at Rest Position



N.B. - The N14-MF was designed to function in the older side tone telephone circuit, and although the anti side tone function has been maintained in the above circuit, one characteristic of the side tone circuit is produced when this dial is used, and that is a "snap" in the receiver when the dial returns to the rest position.