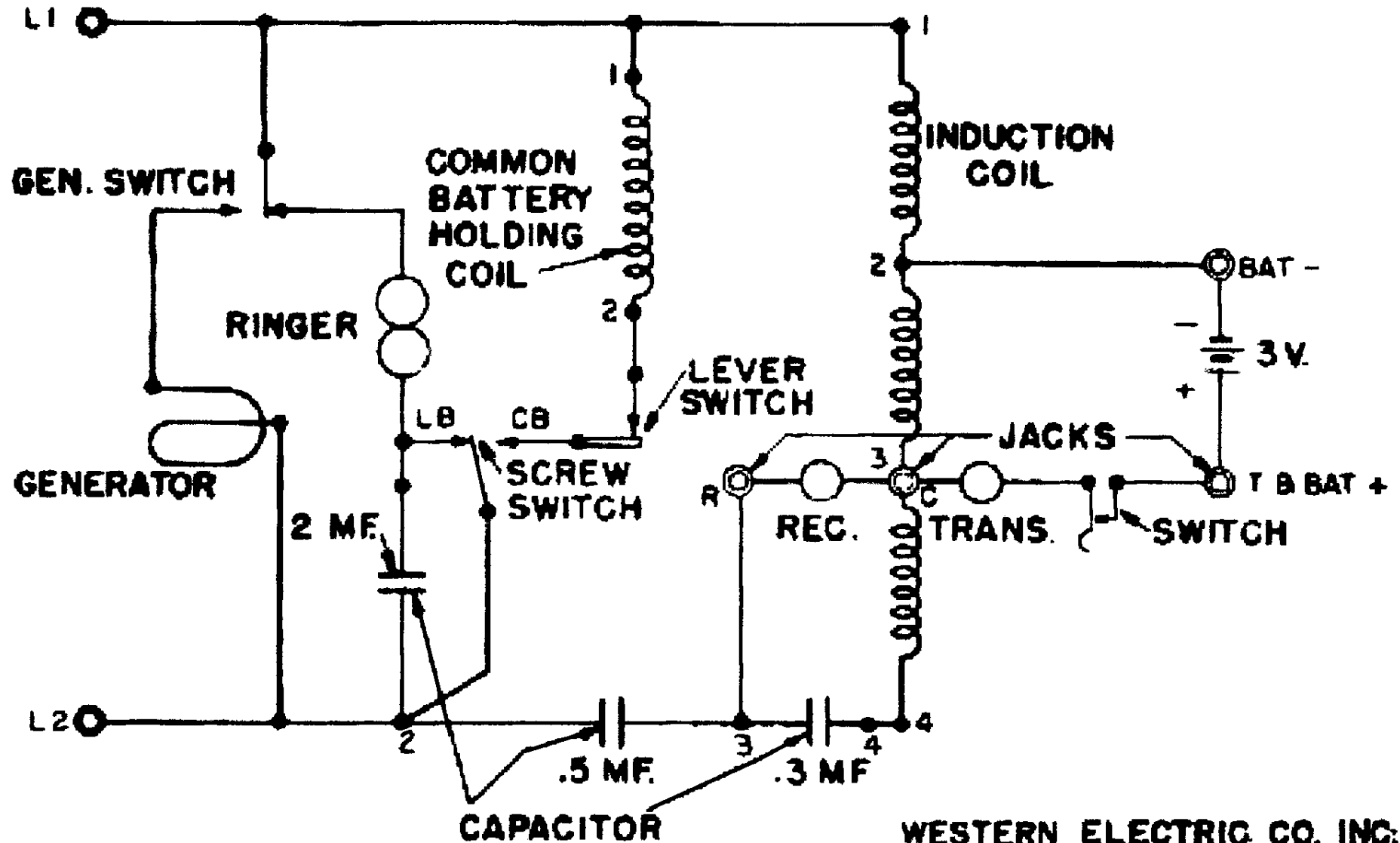


TELEPHONE EE-8-B

SCHEMATIC DIAGRAM



WESTERN ELECTRIC CO. INC.
NEW YORK CITY, N.Y.
ORDER NO. 10485-PHILA-43