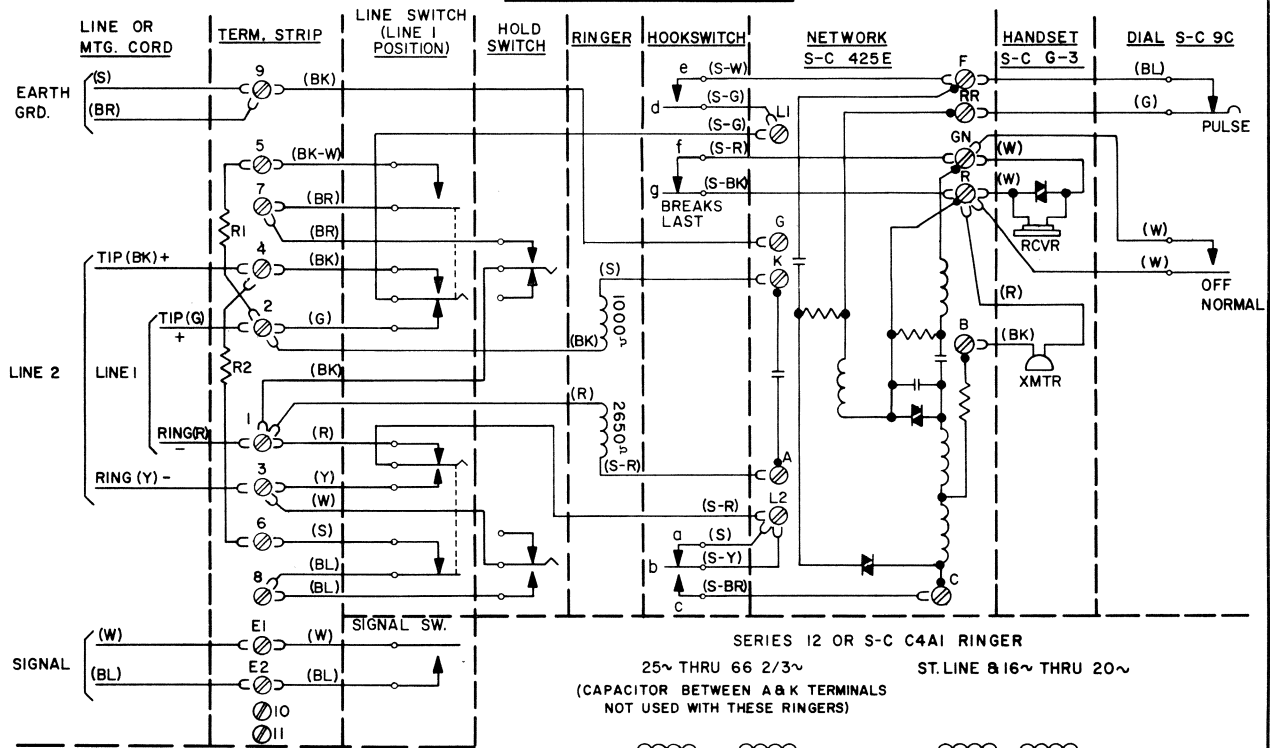


STROMBERG-CARLSON CORPORATION
S-C 575B/S-C 550B TELEPHONE

WIRING DIAGRAM
BRIDGED RINGING SHOWN



SERIES 12 OR S-C C4A1 RINGER
 25~ THRU 66 2/3~ ST. LINE 16~ THRU 20~
 (CAPACITOR BETWEEN A & K TERMINALS NOT USED WITH THESE RINGERS)



LINE AND RINGER CONNECTIONS						
WIRE OR LEAD	COLOR	INDIVIDUAL OR BRIDGED	RING PARTY	TIP PARTY SEE NOTE 4		
STR LINE, 16 THRU 20~ RINGER LEADS	R	1	1	2		
	BK	2	G	G		
	S	K	K	K		
	S-R	A	A	A		
25 THRU 66 2/3~ RINGER LEADS	R	1	1	2		
	BK	2	G	G		
	S	STORE	STORE	STORE		
S-R	STORE	STORE	STORE			
HOOKSWITCH LEAD		S	L2	L2		
DESK	MOUNTING CORD AT NETWORK OR TERMINAL STRIP	RING 1	R	1	1	
		TIP 1	G	2	2	
		RING 2	Y	3	3	
		TIP 2	BK	4	4	
		SIGNAL 1	BL	E2	E2	
		SIGNAL 2	W	E1	E1	
		GRD	S	-	9	9
		GRD	BR	-	9	9
WALL	LINE WIRE AT NETWORK OR TERMINAL STRIP	RING 1	1	1		
		TIP 1	2	2		
		RING 2	3	3		
		TIP 2	4	4		
		SIGNAL 1	E2	E2		
		SIGNAL 2	E1	E1		
EARTH GRD	-	-	9	9		

NOTES:

- FOR MANUAL SERVICE, REPLACE DIAL WITH APPARATUS BLANK AND ADAPTOR AND TRANSFER (S-W) SWITCH LEAD FROM TERMINAL F TO TERMINAL RR ON NETWORK.
- TELEPHONE NORMALLY FURNISHED WITH A SIX CONDUCTOR MOUNTING CORD AND WIRED FOR BRIDGED CONDITION. WHEN OTHER CLASSES OF SERVICE ARE DESIRED, REQUEST EIGHT CONDUCTOR MOUNTING CORD.
- FOR SUPERIMPOSED RINGING WITH 426A OR 425A TUBES OR 703025-298 DIODE ASSEMBLY, SEE WIRING DIAGRAM 200843-100.
- WHEN TIP PARTY IDENTIFICATION TO GROUND IS REQUIRED, WIRE TELEPHONE PER THIS COLUMN & ORDER PACKAGE ASSEMBLY AS FOLLOWS:
 A. TIP PARTY - 1000^Ω IDENTIFICATION TO GROUND 206012-523.
 B. TIP PARTY - 2650^Ω IDENTIFICATION TO GROUND 206012-543.
- TO USE SIGNAL SWITCH FOR PUSHBUTTON TRANSFER, CONNECT (W) MOUNTING CORD OR (W) SIGNAL SWITCH TO EARTH GROUND AND MOVE (BL) SIGNAL SWITCH WIRE TO TERMINAL C ON NETWORK.
- FOR ADDITIONAL INSTRUCTIONS REFER TO TECHNICAL MANUAL.