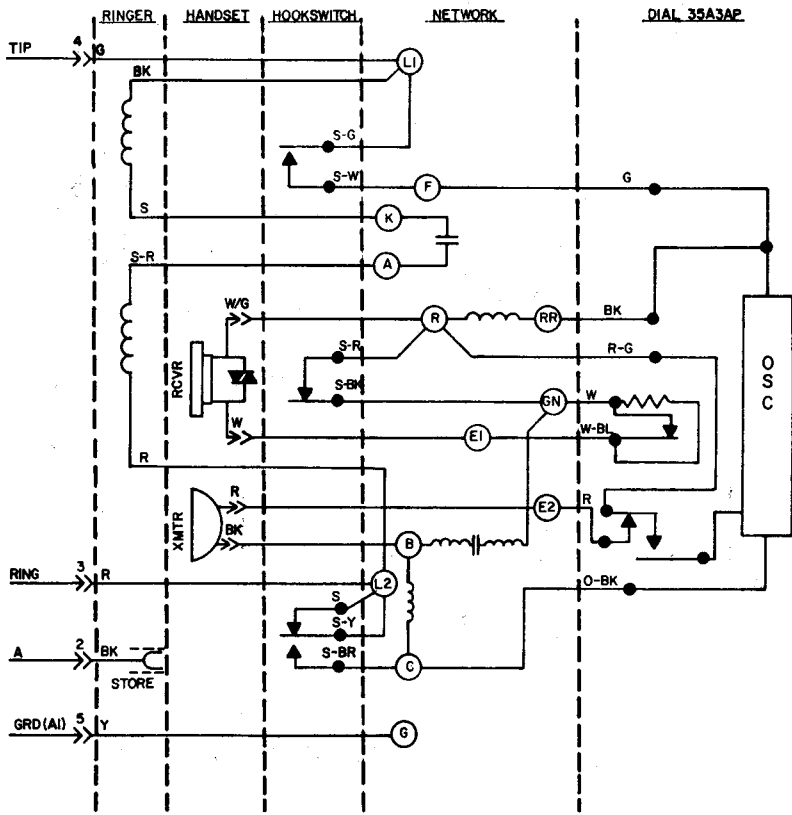
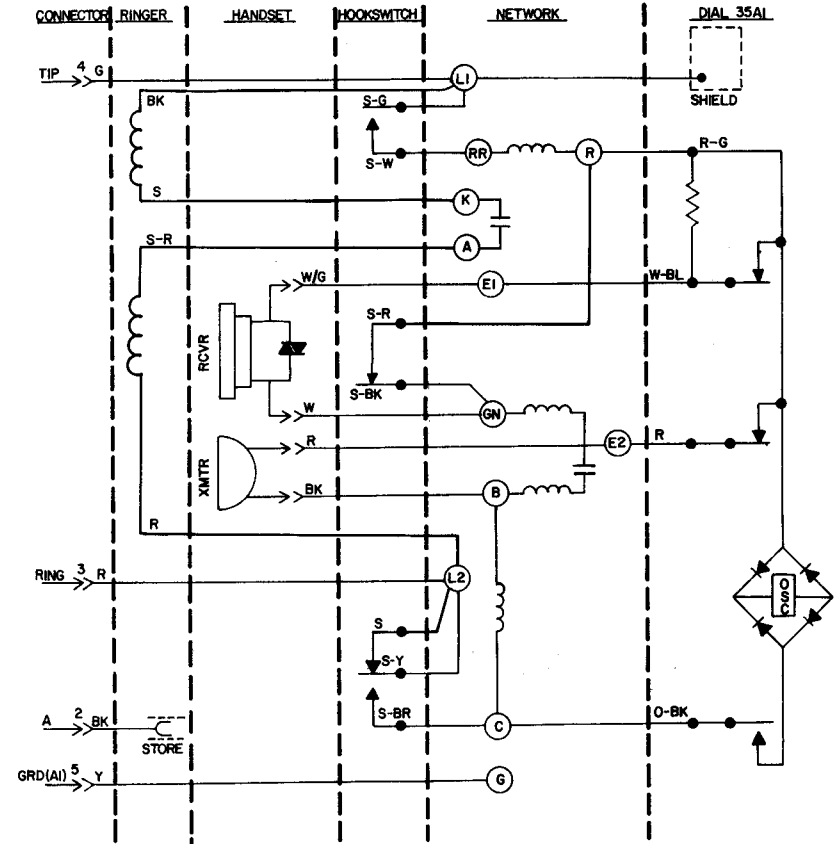


2500DP/5548 TDP TELEPHONE WIRING DIAGRAM
STROMBERG-CARLSON CORPORATION



FOR "A" LEAD CONTROL: CONNECT GREEN LINE LEAD (AND BK RINGER LEAD) TO F, BLACK LINE LEAD TO LI, AND SLATE-WHITE HOOKSWITCH LEAD TO G.

FIG. 1



FOR "A" LEAD CONTROL: CONNECT GREEN LINE LEAD (AND BK RINGER LEAD) TO RR, BLACK LINE LEAD TO LI, AND SLATE-WHITE HOOKSWITCH LEAD AND SHIELD LEAD TO 'G'.

FIG. 2

WARNING

This telephone TONE-DIAL™ generates and uses radio frequency energy. If not installed properly, it may cause interference to radio or television reception.

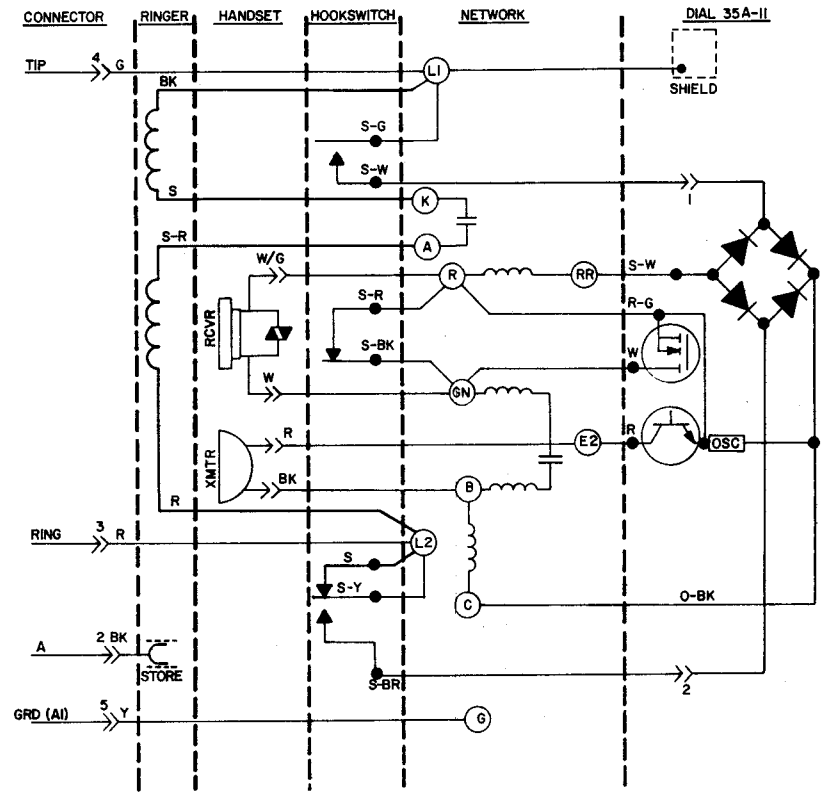
This dial has been type tested and found to comply with the limits for a Class B computing device in accordance with the specifications in Subpart J of Part 15 of FCC Rules, which are designed to provide reasonable protection against such interference in a residential installation. Higher levels of interference are permissible in business installations than in residential installations.

There is no guarantee that interference will not occur in a particular installation. If the dial should cause interference to radio or television reception, interference will be present only while dialing is in progress. If this is determined to occur, the user is encouraged to try to correct the interference by one or more of the following measures:

- reorient the receiving antenna
- relocate the receiver or the telephone
- use a different branch power circuit for the receiver

For further assistance, contact Stromberg-Carlson or an experienced radio/television technician.

NOTE: ALL NON MODULAR PHONES HAVE BLACK LINE CORD LEAD CONNECTED TO "G" WITH THE YELLOW LEAD.



FOR "A" LEAD CONTROL: CONNECT GREEN LINE LEAD (AND BK RINGER LEAD) TO #1 ON TONE DIAL, BLACK LINE LEAD TO L1, AND SLATE-WHITE HOOKSWITCH LEAD AND SHIELD LEAD TO "G".

FIG. 3