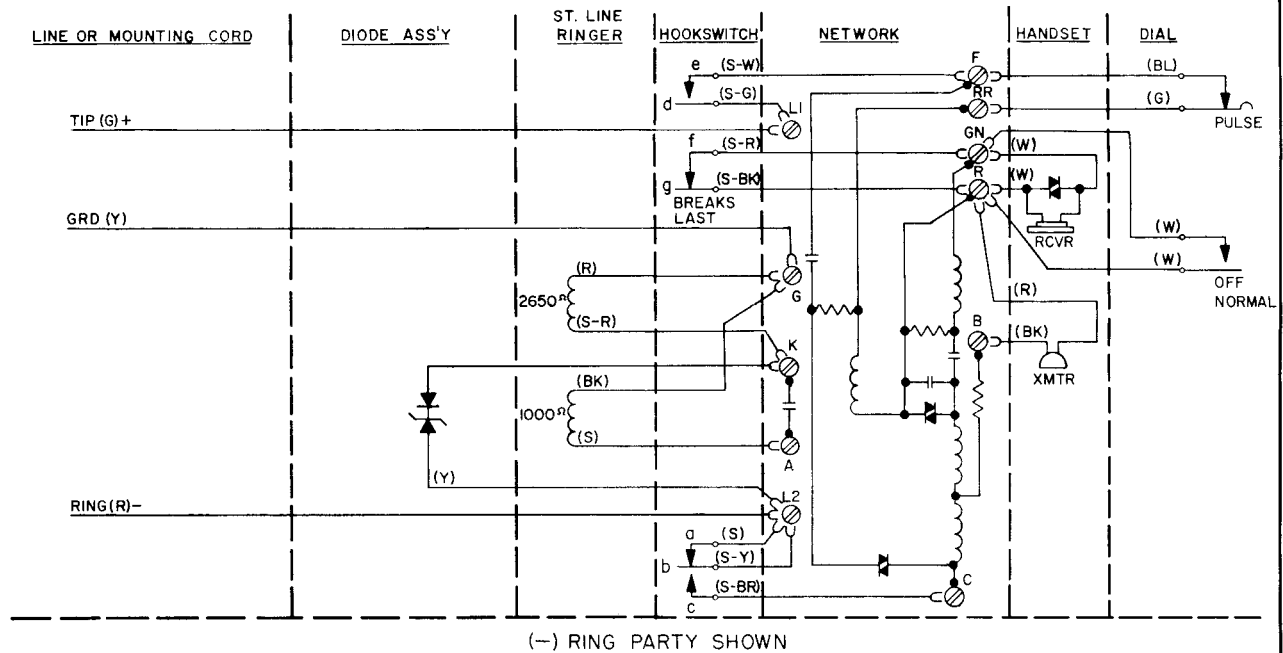
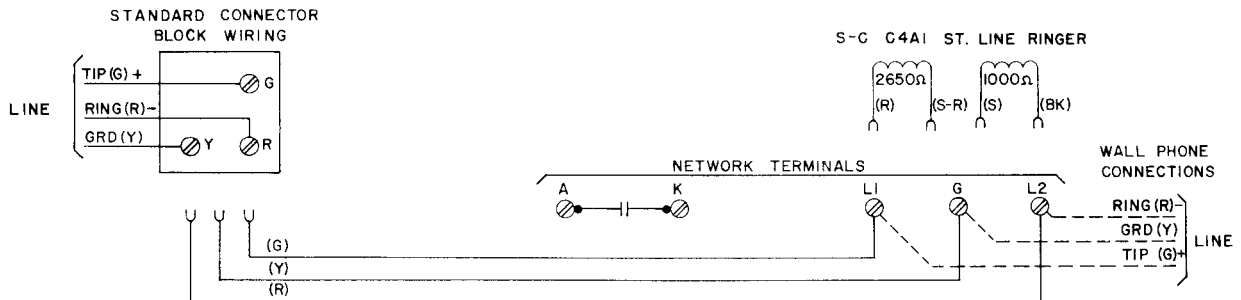


# STROMBERG-CARLSON CORPORATION S-C 501D /S-C 556B TELEPHONE

## WIRING DIAGRAM



(-) RING PARTY SHOWN



LINE AND RINGER CONNECTIONS					
WIRE OR LEAD	COLOR	NEGATIVE (-) PARTIES		POSITIVE (+) PARTIES	
		RING	TIP	RING	TIP
RINGER LEADS	R	G	G	L2	L2
	BK	G	G	L2	L2
	S	A	A	A	A
	S-R	K	K	K	K
426A TUBE (3 ELEMENT)	R	G	G	L2	L2
	BK	K	K	K	K
	Y	L2	L2	G	G
	R	L1	L1	L2	L2
425A TUBE (4 ELEMENT)	G	L2	L2	L1	L1
	BK	K	K	K	K
	Y	L2	L2	G	G
	R	L2	L2	G	G
DESK MOUNTING CORD AT CONNECTING BLOCK	R	R	G	R	G
	G	G	R	G	R
	Y	Y	Y	Y	Y
WALL LINE WIRE AT NETWORK	RING -	R	L2	L1	L2
	TIP +	G	L1	L1	L2
	GRD	Y	G	G	G
DIODE ASSEMBLY	Y	L2	L2	G	G
	-	K	K	K	K

**NOTES:**

1. FOR MANUAL SERVICE, REPLACE DIAL WITH APPARATUS BLANK AND ADAPTOR AND TRANSFER (S-W) SWITCH LEAD FROM TERMINAL F TO TERMINAL RR ON NETWORK.
2. FOR NO LINE INDUCTION SERVICE, USE 426A TUBE OR DIODE PACKAGE ASSEMBLY 703025-298.
3. FOR SEVERE LINE INDUCTION SERVICE USE 425A TUBE.
4. FOR AVERAGE LINE INDUCTION SERVICE ON POSITIVE TIP AND RING PARTIES, USE 425A TUBE.
- 5.
6. FOR ADDITIONAL INSTRUCTIONS REFER TO TECHNICAL MANUAL.