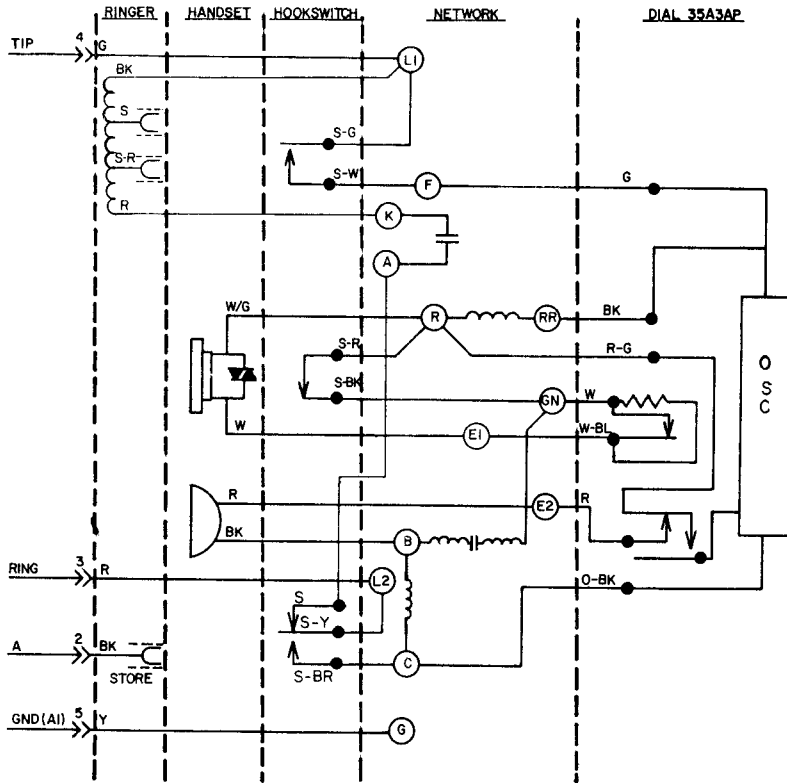
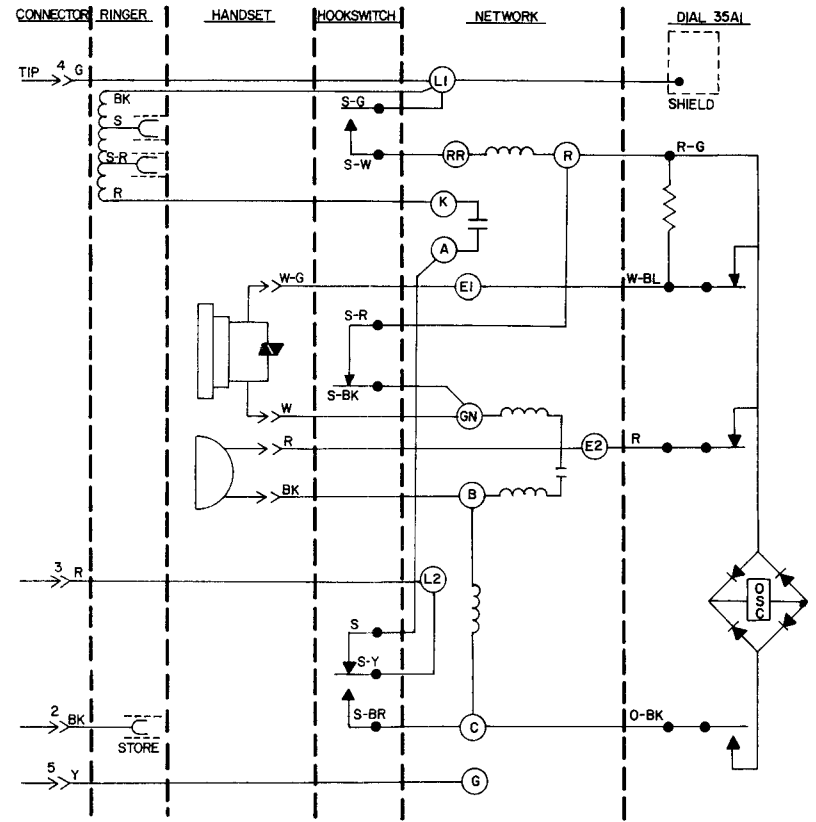


2554 BP TELEPHONE WIRING DIAGRAM
STROMBERG-CARLSON CORPORATION



"FOR A LEAD CONTROL: MOVE S-BR HOOKSWITCH LEAD TO G, MOVE RED LINE LEAD TO C, MOVE BK LINE LEAD AND SLATE HOOKSWITCH LEAD TO L2. NOTE: IF RINGER IS REQUIRED, PROVIDE STRAP BETWEEN A AND C."

FIG. 1



"FOR A LEAD CONTROL: MOVE S-BR HOOKSWITCH LEAD TO G, MOVE RED LINE LEAD TO C, MOVE BK LINE LEAD AND SLATE HOOKSWITCH LEAD TO L2. NOTE: IF RINGER IS REQUIRED, PROVIDE STRAP BETWEEN A AND C."

FIG. 2

WARNING

This telephone TONE-DIAL™ generates and uses radio frequency energy. If not installed properly, it may cause interference to radio or television reception.

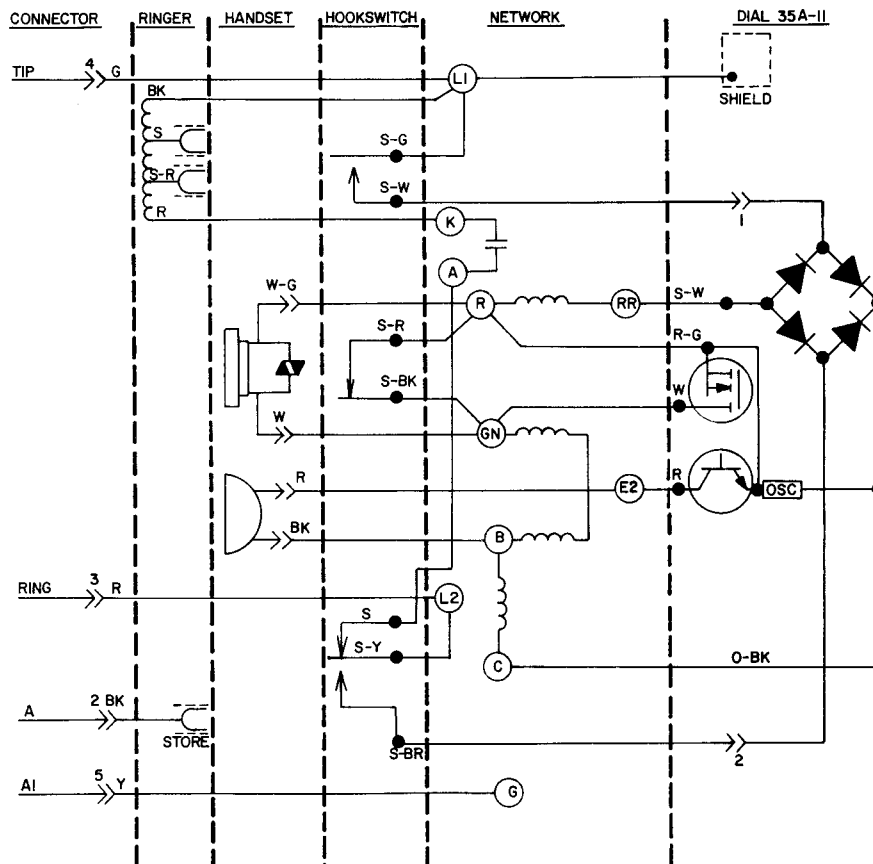
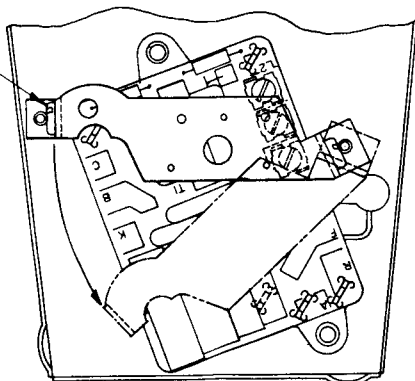
This dial has been type tested and found to comply with the limits for a Class B computing device in accordance with the specifications in Subpart J of Part 15 of FCC Rules, which are designed to provide reasonable protection against such interference in a residential installation. Higher levels of interference are permissible in business installations than in residential installations.

There is no guarantee that interference will not occur in a particular installation. If the dial should cause interference to radio or television reception, interference will be present only while dialing is in progress. If this is determined to occur, the user is encouraged to try to correct the interference by one or more of the following measures:

- reorient the receiving antenna
- relocate the receiver or the telephone
- use a different branch power circuit for the receiver

For further assistance, contact Stromberg-Carlson or an experienced radio/television technician.

For access to screw terminals G, L1 & L2, loosen 6-32 screw and rotate housing mounting bracket as shown.



"FOR A LEAD CONTROL: MOVE S-BR HOOKSWITCH LEAD TO G, MOVE RED LINE LEAD TO # 2 ON DIAL, MOVE BK LINE LEAD AND SLATE HOOKSWITCH LEAD TO L2. NOTE: IF RINGER IS REQUIRED, PROVIDE STRAP BETWEEN A ON NETWORK AND # 2 ON DIAL."

FIG. 3