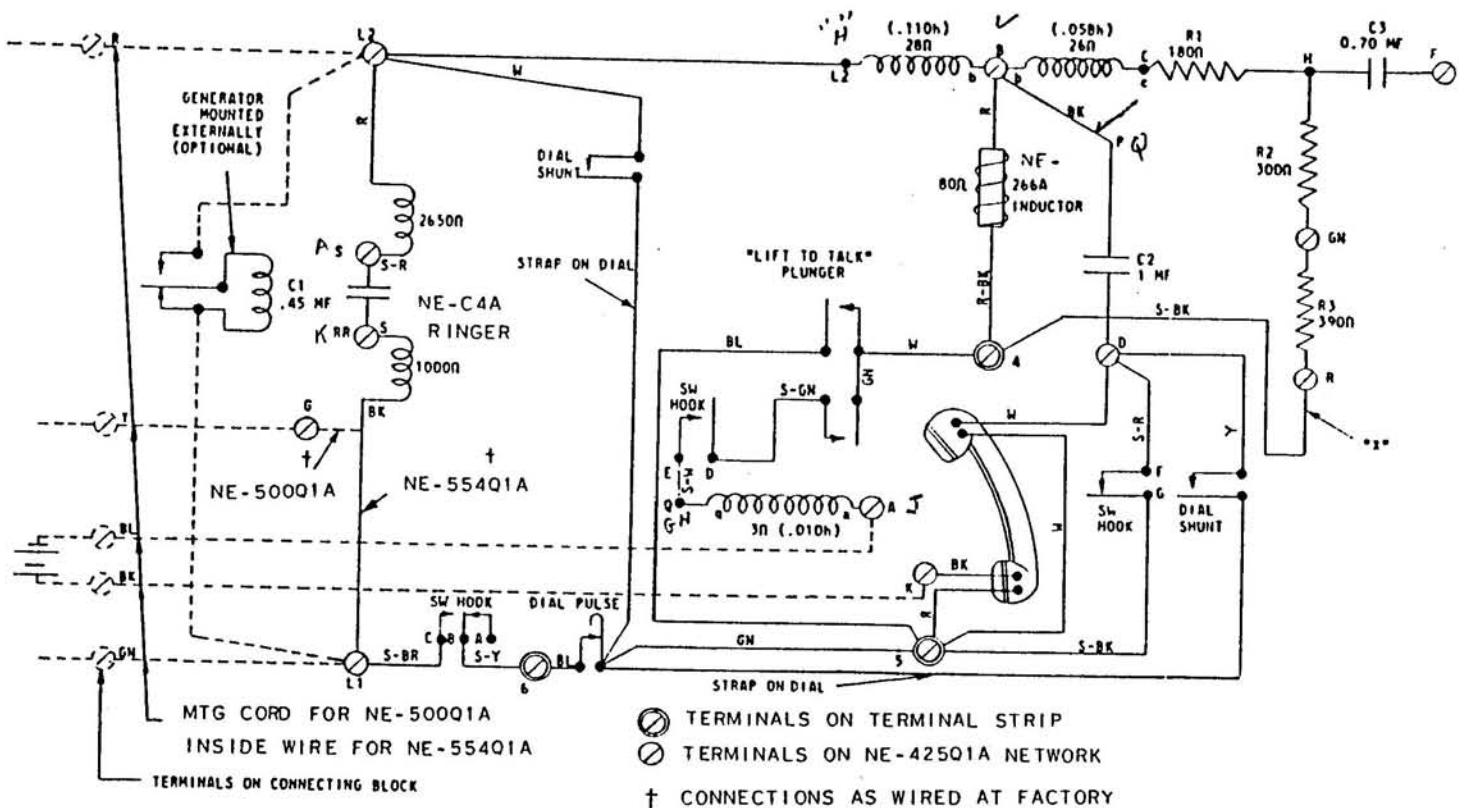


RURAL TELEPHONE SETS

NE-500Q1A, - 500Q2A, - 500Q3A, - 554Q1A, - 554Q2A, - 554Q3A

LOCAL BATTERY - CONNECTIONS

Fig. 1 - NE-500Q1A, NE-554Q1A TELEPHONE SETS



Spade tips or skinned wires should come in contact only with terminal to which connection is made. Electrical contact with metal tab of the network housing may cause the exposed dial finger stop to become energized with ringing current or dc line current.

NOTES:

A. Battery supply to be maximum 3 volts. Do not use more than two NS-6542 (No.6) dry cells.

An NE-N1A battery box is a convenient con-

tainer for these dry cells.

B. To permanently silence ringer, transfer, black ringer lead to terminal L2 on network.

C. For ringer cut-off control by customer, bend stop next to detent on ringer volume control so that it completely clears the rim of the ringer frame.

D. When the handset is removed, contact GF breaks last.

FIG. 1 CONTINUED

TABLE OF CONNECTIONS

CLASS OF SERVICE	DESK TYPE SET										WALL TYPE SET										
	CONNECTIONS AT CONNECTING BLOCK										CONNECTIONS AT NETWORK										
	Line Wire		MTG Cord				Ringer Leads				Station Wire			Ringer Leads							
Ring	Tip	GND	R	G	Y	BK/	BL/	R	BK	S	SR	Ring	Tip	GND	NEG/	POS/	R	BK	S	SR	
BRIDGED	R	G	Y	R	G	G	POS	NEG	L2	G	RR	S	L2	L1	G	A	K	L2	L1	RR	S
RING PARTY	R	G	Y	R	G	Y	POS	NEG	L2	G	RR	S	L2	L1	G	A	K	L2	G	RR	S
TIP PARTY	R	G	Y	G	R	Y	POS	NEG	L2	G	RR	S	L2	L1	G	A	K	L1	G	RR	S

✓ BATTERY CONNECTIONS

NETWORKS:

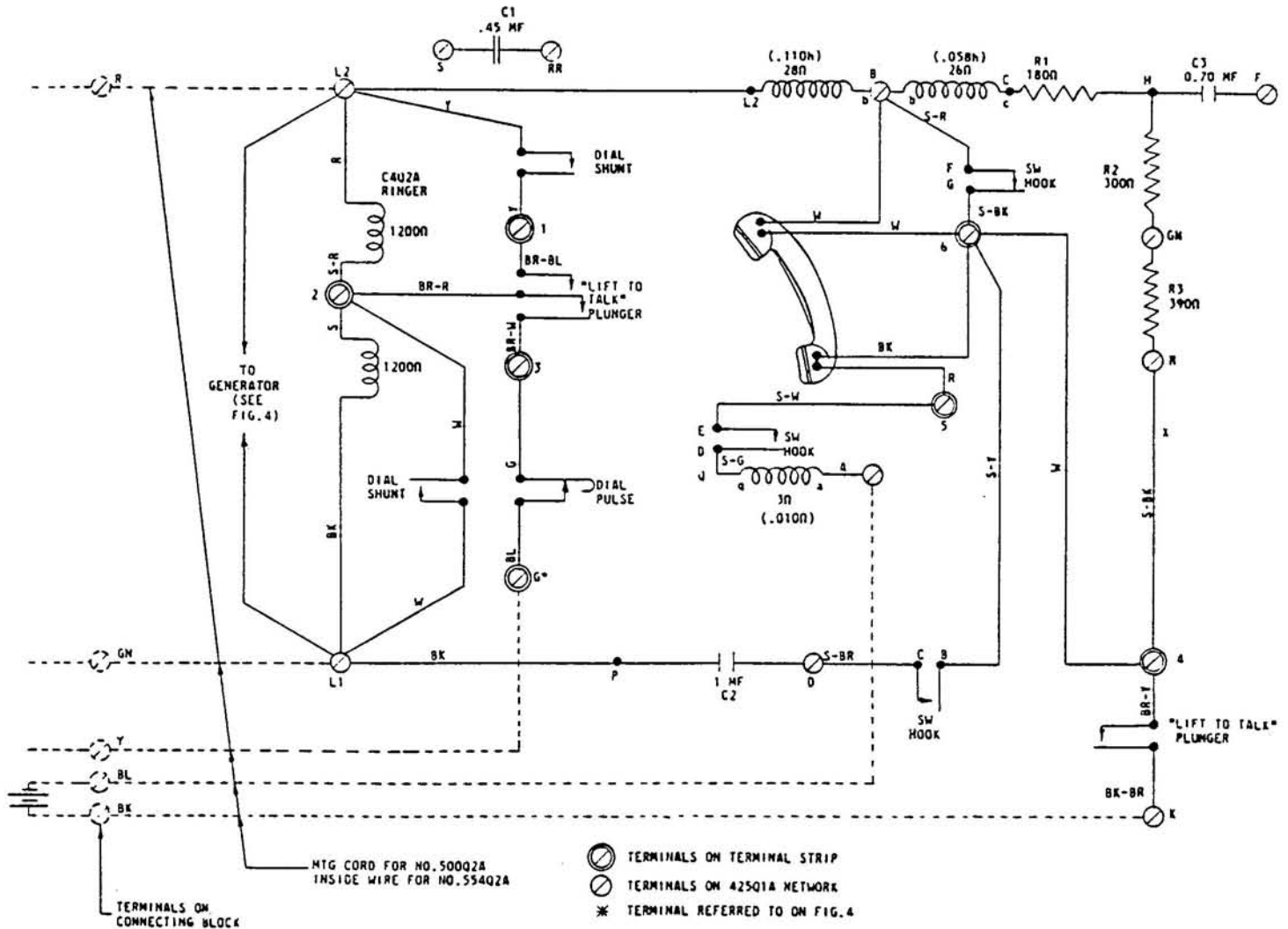
Means are provided in the set whereby various networks may be connected in the balancing circuit to obtain satisfactory sidetone balance when the sets are used on the different types of subscriber loops employed in the plant, Network 'A' provides the highest sidetone level and 'C' the lowest with 'B' being an intermediate step.

Network "A" - As Shown

Network "B" - Transfer SL-BK lead designated "X" to terminal GN on network.

Network "C" - Transfer SL-BK lead designated "X" to terminal F on network.

FIG. 2 - 500Q2A, 554Q2A TELEPHONE SETS



NOTES:

- A. Battery supply to be maximum 3 volts. Do not use more than two NS-6542 (No. 6) dry cells.

A No. N1A Battery Box is a convenient container for these dry cells.

Spade tips or skinned wires should come in contact only with terminal to which connection is made. Electrical contact with metal tab of the network housing may cause the exposed dial finger stop to become energized with ringing current or dc line current.

FIG. 2 CONTINUED

- B. To permanently silence ringer, transfer black ringer lead to terminal L2 on network.
- C. For ringer cut-off control by customer, bend stop next to detent on ringer volume control so that it completely clears the rim of the ringer frame.
- D. When the handset is removed, contact GF breaks last.

ferent types of subscriber loops employed in the plant. NETWORK "A" is intended for use on short cable loops, short iron open wire loops, all lengths of copper open wire, and loops consisting of combinations of short lengths of cable and open wire, network "B" for long iron open wire loops; and network "C" for long non-loaded cable loops.

Network A - Transfer slate-black lead designated "X" on diagram to terminal GN on network.

Network B - As Shown

Network C - Transfer slate-black lead designated "X" on diagram to terminal F on network.

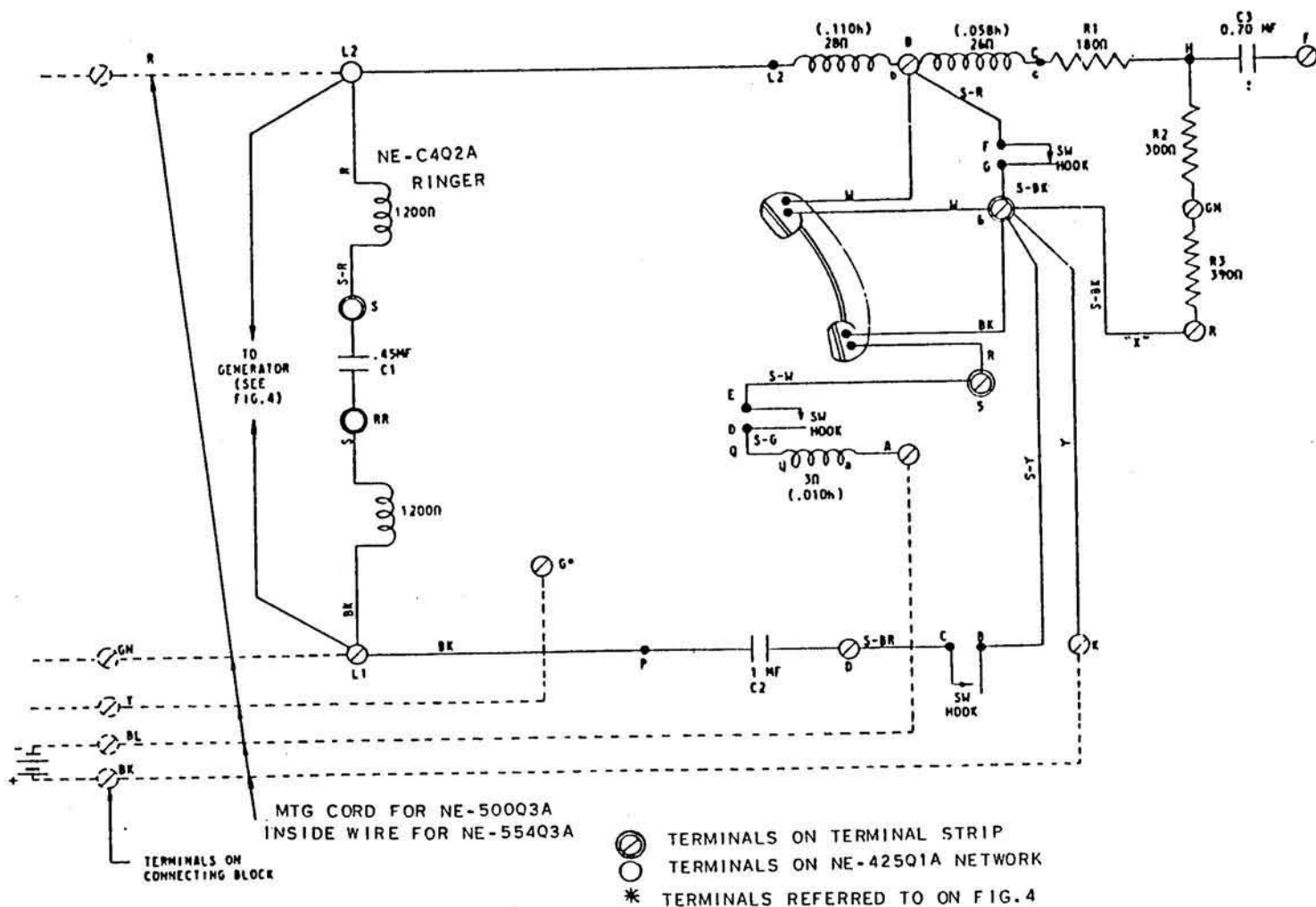
NETWORKS:

Means are provided in the set whereby various networks may be connected in the balancing circuit to obtain satisfactory sidetone balance when the sets are used on the dif-

TABLE OF CONNECTIONS

	TERMINAL ON NETWORK	LINE CORD CONDUCTOR (500QZA ONLY)
LINE 1	L1	GN
LINE 2	L2	R
GROUND	G	Y
BATTERY POS.	K	BK
BATTERY NEG.	A	BL

Fig. 3 - NE-500Q3A, NE-554Q3A TELEPHONE SETS



Spade tips or skinned wires should be in contact only with terminal to which connection is made. Electrical contact with metal tab of the network housing may cause the exposed dial finger stop to become energized with ringing current or dc line current.

- A. Battery supply to be maximum 3 volts. Do not use more than two NS-6543 (No. 6) dry cells.

An NE-N1A battery box is a convenient container for these dry cells.

- B. To permanently silence ringer, transfer black ringer lead to terminal L2 on network.
- C. For ringer cut-off control by customer, bend stop next to detent on ringer volume control so that it completely clears the rim of the ringer frame.
- D. When the handset is removed, contact GF breaks last.

FIG. 3 CONTINUED

NETWORKS:

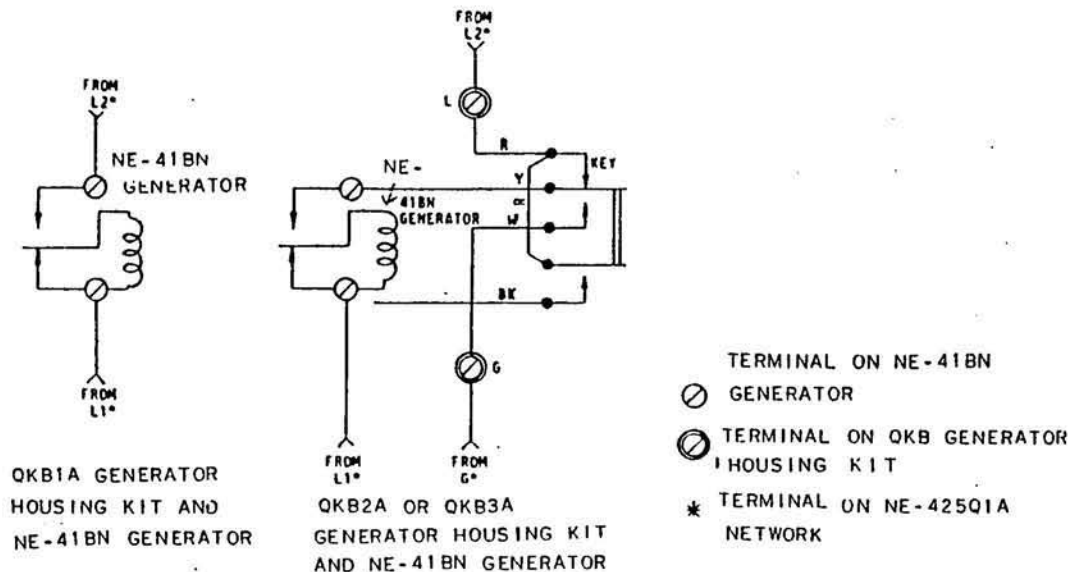
Means are provided in the set whereby various networks may be connected in the balancing circuit to obtain satisfactory sidetone balance when the sets are used on the different types of subscriber loops employed in the

plant. NETWORK "A" is intended for use on short cable loops, short iron open wire loops, all lengths of copper open wire, and loops consisting of combinations of short lengths of cable and open wire; NETWORK "B" for long iron open wire loops; and NETWORK "C" for long non-loaded cable loops.

TABLE OF CONNECTIONS

	TERMINAL ON NETWORK	LINE CORD CONDUCTOR (NE-500Q3A ONLY)
LINE 1	L1	GN
LINE 2	L2	R
GROUND	G	Y
BATTERY POS.	K	BK
BATTERY NEG.	A	BL

FIG. 4 - WIRING TO QKB TYPE GENERATOR HOUSING KIT



NOTES:

A. Wiring between generator and telephone set accomplished by means of inside station wire provided with generator housing kit.

B. If it is desired to make the QKB3A generator kit key inoperative when this set is used for dial service, screw P-174064, located on the side of the housing under the push-button should be run in.

Reason For Reissue:

To correct code numbers.