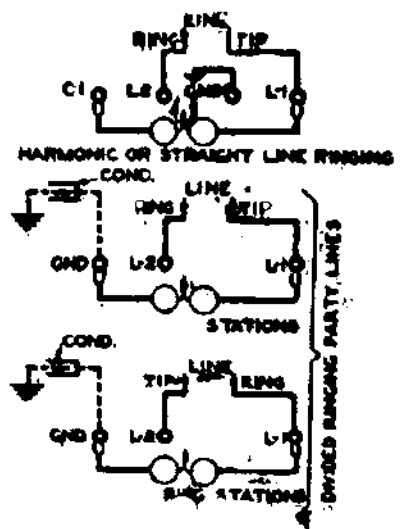
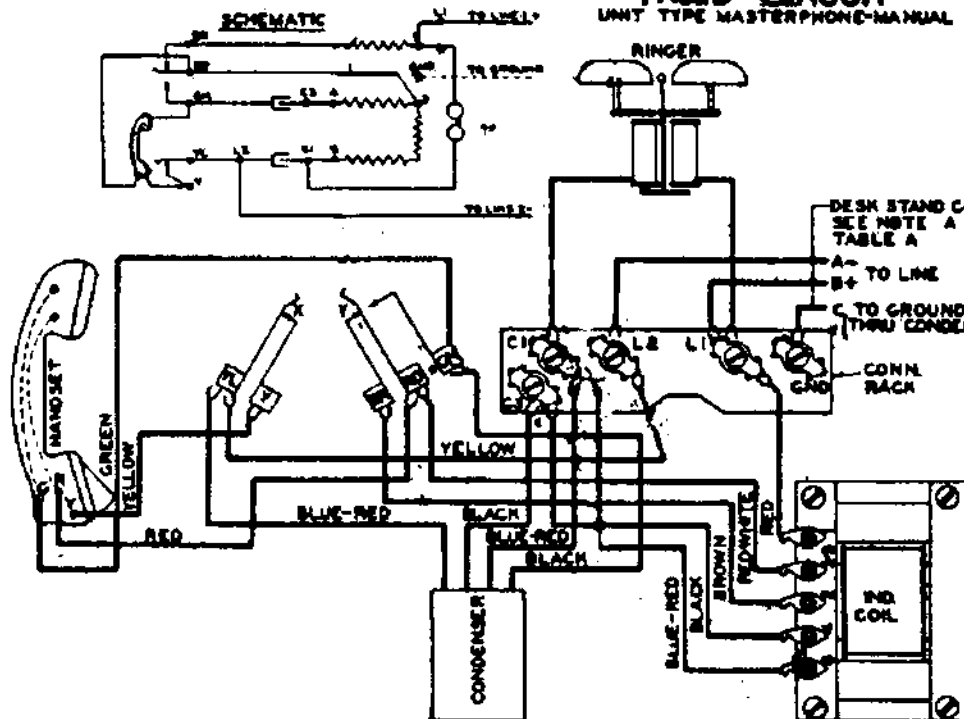


TRIAD CIRCUIT

UNIT TYPE MASTERPHONE-MANUAL

21092



NOTES
 A - A TWO CONDUCTOR CORD ONLY IS REQUIRED FOR STRAIGHT LINE OR METALIC RINGING AND ONE CONDUCTOR CORD IS REQUIRED FOR GROUND RETURN RINGING.
 B - CONTACTS "X" TO BREAK BEFORE "Y" WHEN HAND SET IS HUNG ON HOOK

TABLE A
 TRACKER COLORS OF D.S. CORD CONDUCTORS

	A	B	C
3 CONDUCTOR	YELLOW	RED	GREEN
2 CONDUCTOR	BLACK	BROWN	-

21092