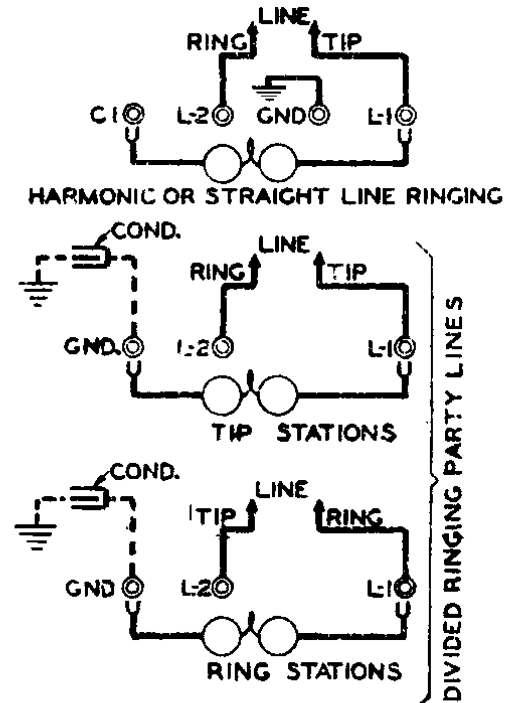
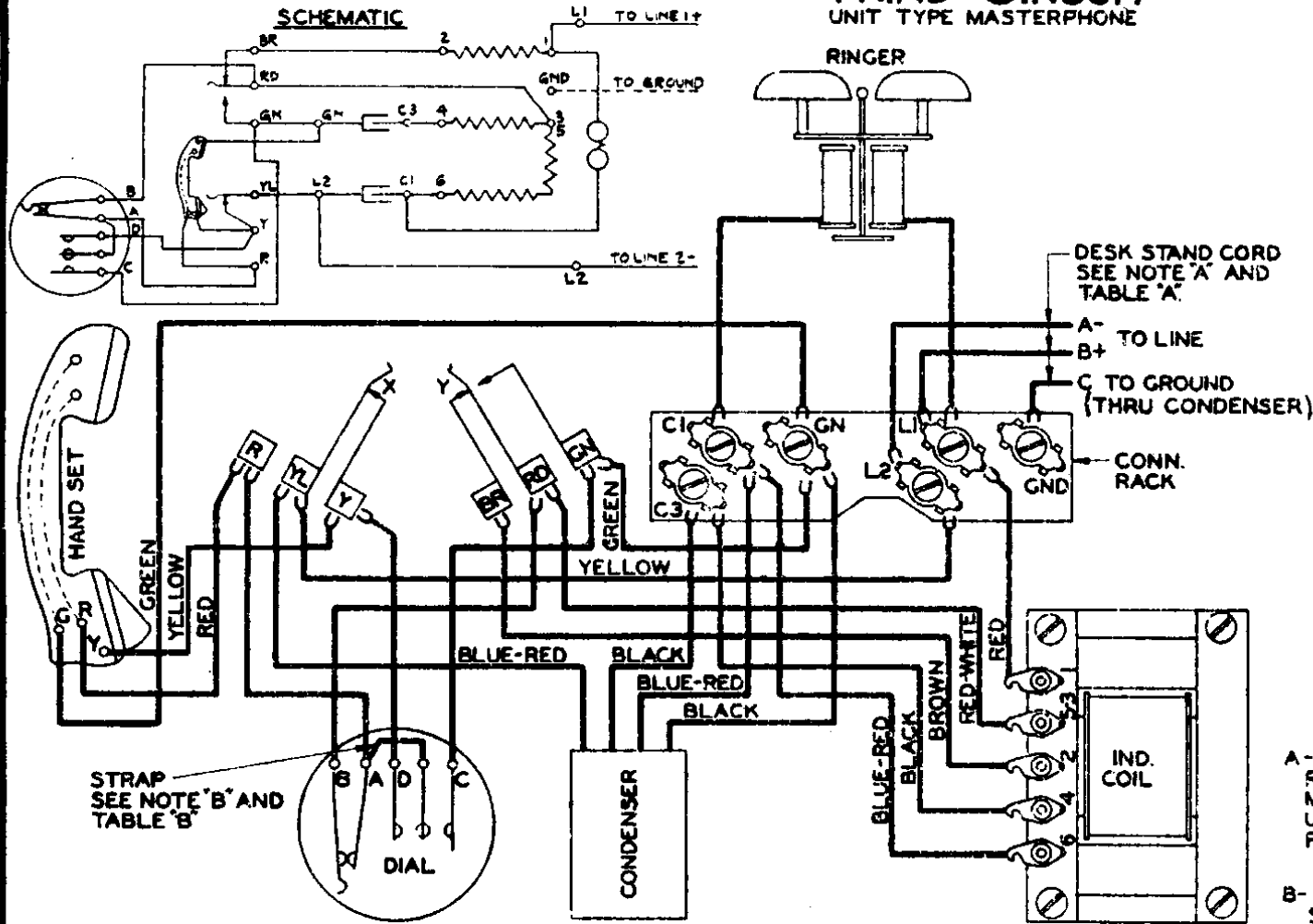


TRIAD CIRCUIT

UNIT TYPE MASTERPHONE

21087



NOTES

- A - A TWO CONDUCTOR CORD ONLY IS REQUIRED FOR STRAIGHT LINE OR METALLIC RINGING. A THREE CONDUCTOR CORD IS REQUIRED FOR GROUND RETURN RINGING.
- B - WHEN *5 TYPE DIAL IS USED CONNECT STRAP AS SHOWN. WHEN NO DIAL IS USED CONNECT "RED" CONDUCTOR OF HANDSET CORD TO BINDING POST "RD" INSTEAD OF "R".
- C - CONTACTS "X" TO BREAK BEFORE "Y" WHEN HAND SET IS HUNG ON HOOK.

TABLE A
TRACER COLORS OF D.S. CORD CONDUCTORS

	A	B	C
3 CONDUCTOR	YELLOW	RED	GREEN
2 CONDUCTOR	BLACK	BROWN	—

TABLE B
COLOR CODE FOR DIAL LEADS

	A	B	C	D
K.S. & S. CO.	SLATE	WHITE	GR.-WH.	GREEN
AUTO. ELEC. CO.	GR.-WH.	GREEN	GR.-RED	GR.-BLK.

21087