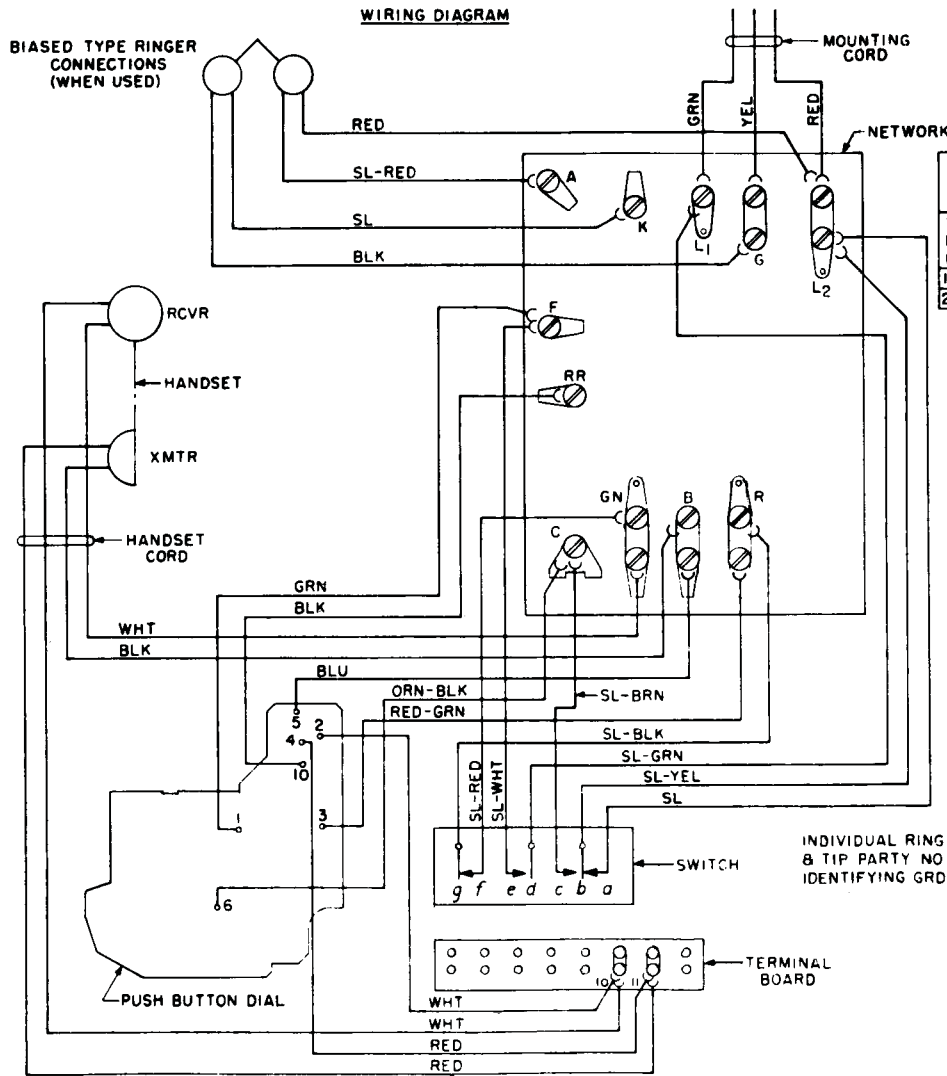


# 1500 TYPE TELEPHONE CIRCUIT



**NOTES:**

- 1-CONNECT YELLOW MOUNTING CORD LEAD TO SAME TERMINAL AS RED MOUNTING CORD LEAD AT CONNECTING BLOCK FOR ALL CLASSES OF SERVICE EXCEPT THOSE LISTED IN TABLE "A".
- 2-FOR TIP-PARTY WITH NO IDENTIFYING GROUND MOVE RED RINGER LEAD FROM L2 TO L1 ON NETWORK AS SHOWN IN TABLE "B".

**TABLE "A"**  
RINGER LEAD CONNECTIONS TO SILENCE RINGER PERMANENTLY

TIP PARTY IDENTIFYING GRD.	RINGER LEADS			
	RED	BLACK	SLATE	SLATE-RED
1000 OHMS	K	G	B	K
2650 OHMS	B	K	K	G

**TABLE "B"**  
LINE & RINGER CONNECTIONS

WIRE OR LEAD	INDIV. OR BRDG.	RING PARTY	TIP PARTY		
			NO IDENT. GRD.	1000 OHMS	2650 OHMS
MOUNTING CORD IN SET	RED	L2	L2	L2	L2
	GRN	L1	L1	L1	L1
RINGER LEADS	YEL	G	G	G	G
	RED	L2	L2	L1	K
	BLK	G	G	G	B
	SL	K	K	K	B
HOOKSWITCH LEADS	SL-RED	A	A	A	B
	SL	L2	L2	L2	A
	SL-WHT	F	F	F	C
MOUNTING CORD AT CONN. BLOCK	SL-BRN	C	C	C	F
	RED	R	R	R	G
	GRN	G	G	G	R
LINE WIRE AT CONN. BLOCK	YEL	G	Y	Y	Y
	RING GRD.	YEL	Y	Y	Y

Scanned 2009 for TCI Library  
www.paul-f.com

**CIRCUIT SCHEMATIC**

