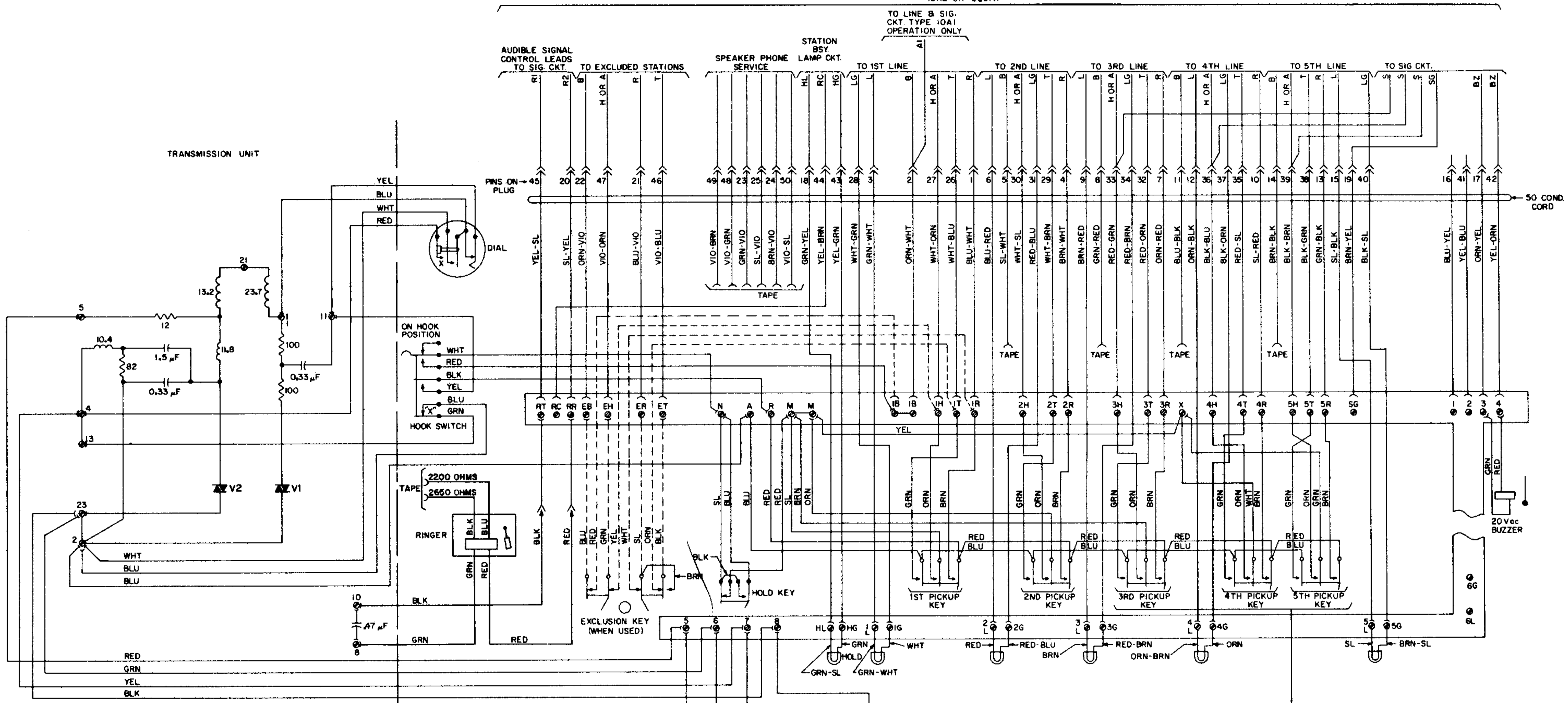
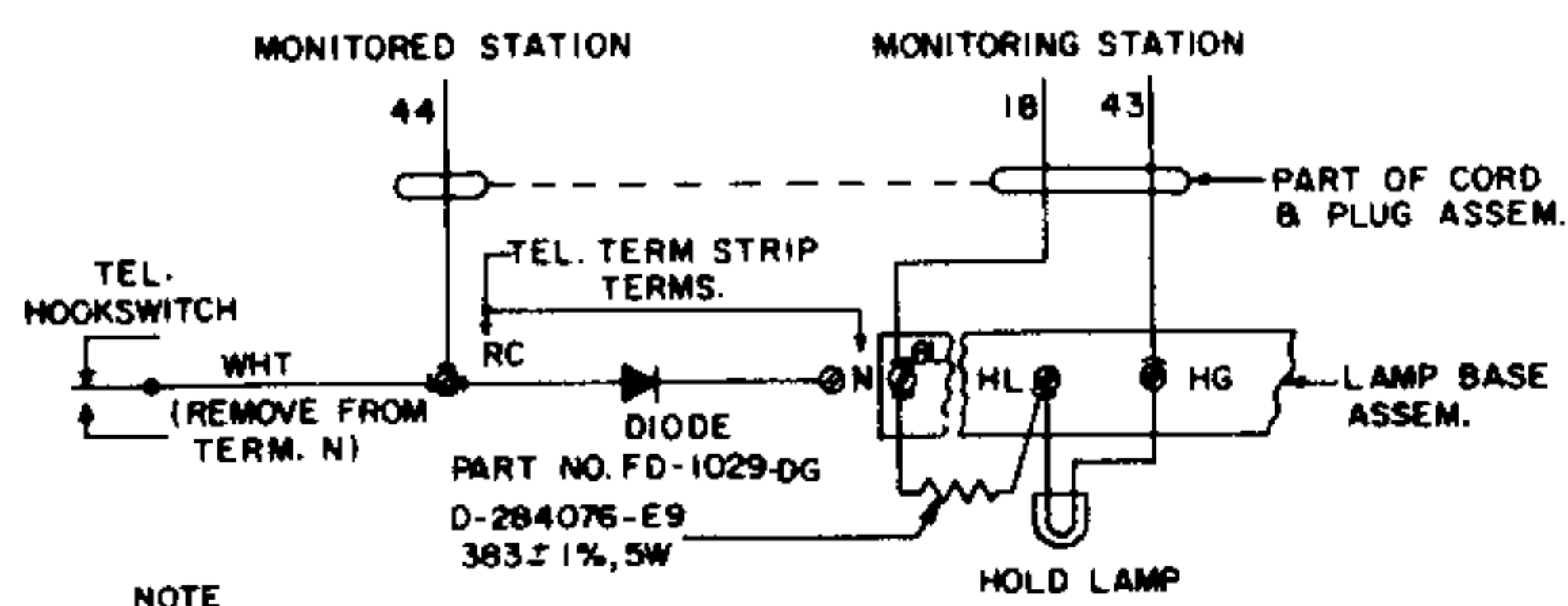


SIX KEY TELEPHONE ARRANGED FOR HOLD KEY
AND 5 PICKUP KEYS WITH 3 PU KEYS
CONVERTIBLE TO SIGNALLING (HPPPsPsPs)

10A2 OR EQUIV.

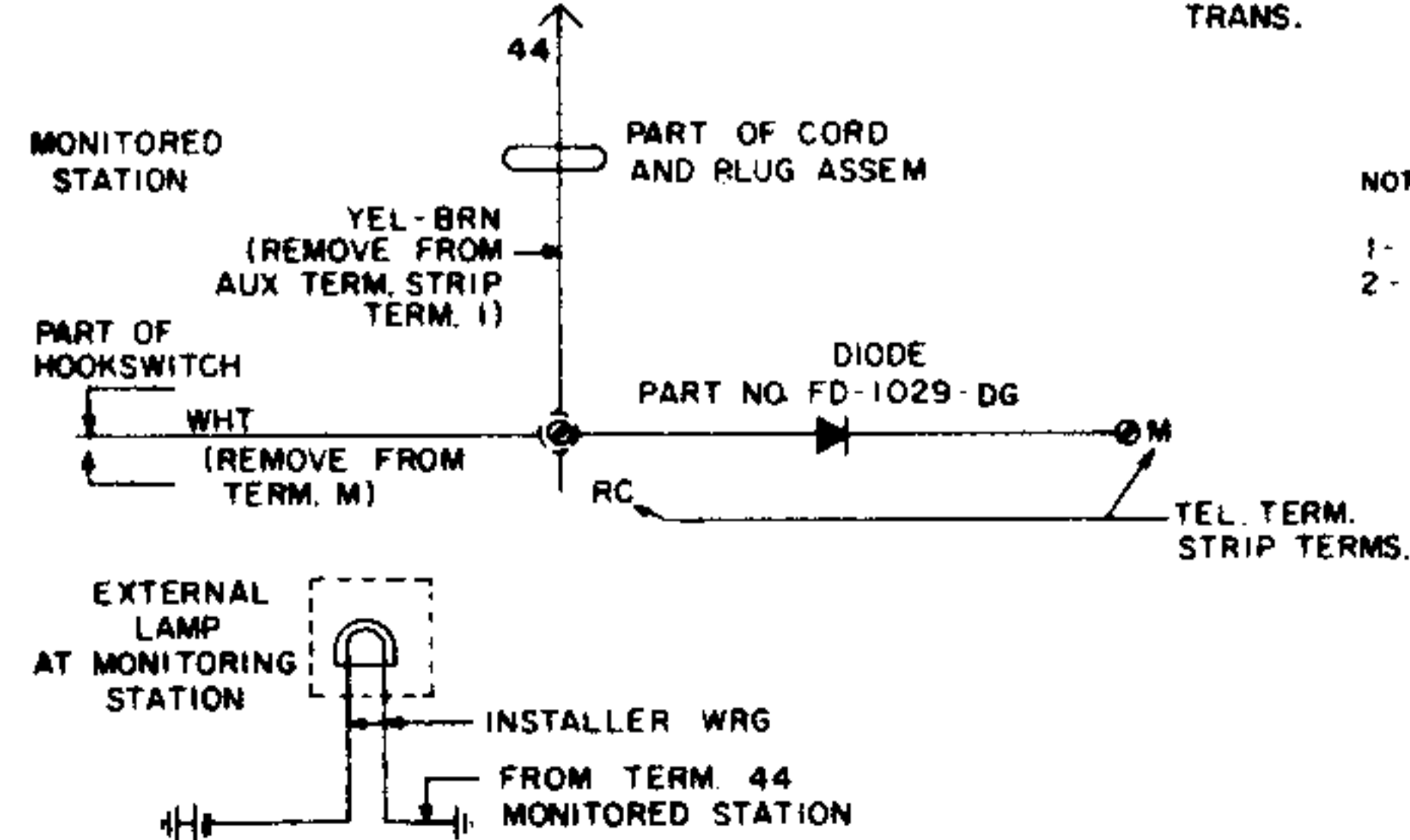


METHOD OF PROVIDING STATION BUSY FEATURE
TYPE 186 TELEPHONES HAVING H-P-P-Ps-Ps-Ps
KEY SERVICE



NOTE
FOR MULTIPLE MONITORING STATIONS,
PARALLEL THIS CIRCUIT.

METHOD OF PROVIDING STATION BUSY FEATURE
TYPE 186 TELEPHONE HAVING P-P-P-Ps-Ps-Ps
KEY SERVICE



NOTES:

- 1- "X" CONTRACTS ON THE HOOKSWITCH BREAK LAST.
- 2- USE OF SIGNAL IS LIMITED TO EITHER RINGER OR BUZZER, NO PROVISION IS MADE FOR WIRING BOTH RINGER AND BUZZER.

SET IS WIRED TO OPERATE WITH GTE AE TYPE 10A1 AND 10A2 OR WECO TYPE 1A1 AND 1A2 SYSTEM. FOR CONVERSION TO OPERATE WITH GTE AE TYPE 10A OR WECO TYPE 1A SYSTEM, MODIFY WIRING AS FOLLOWS

	LEADS AT TEL. TERM STRIP (INTERNAL WRG.)			
	WHT	BLK	RED	BLU
CHANGE FROM TERM	N	R	M	N
TO TERM	1B	N	R	M

PICK UP TO SIGNALLING CONVERSION
CONVERT KEYS FROM LOCKING TO
NON-LOCKING AND MODIFY WIRING
AS FOLLOWS:

NO. OF P.U. KEYS	NO. OF SIG. KEYS	NO. OF COM. SIG. INTERCOM. LINES	KEY LEADS			
			ORN	BRN	YEL	GRN
5	-	-	M	M	M	X
4	1	-	M	M	M	SG
3	2	-	M	M	SG	X
2	3	-	M	X	SG	X
4	1	2	M	X	5H	SG
4	1	3	X	X	5H	SG

Wiring Diagram, Type 186 Telephone Set for Dial Service.