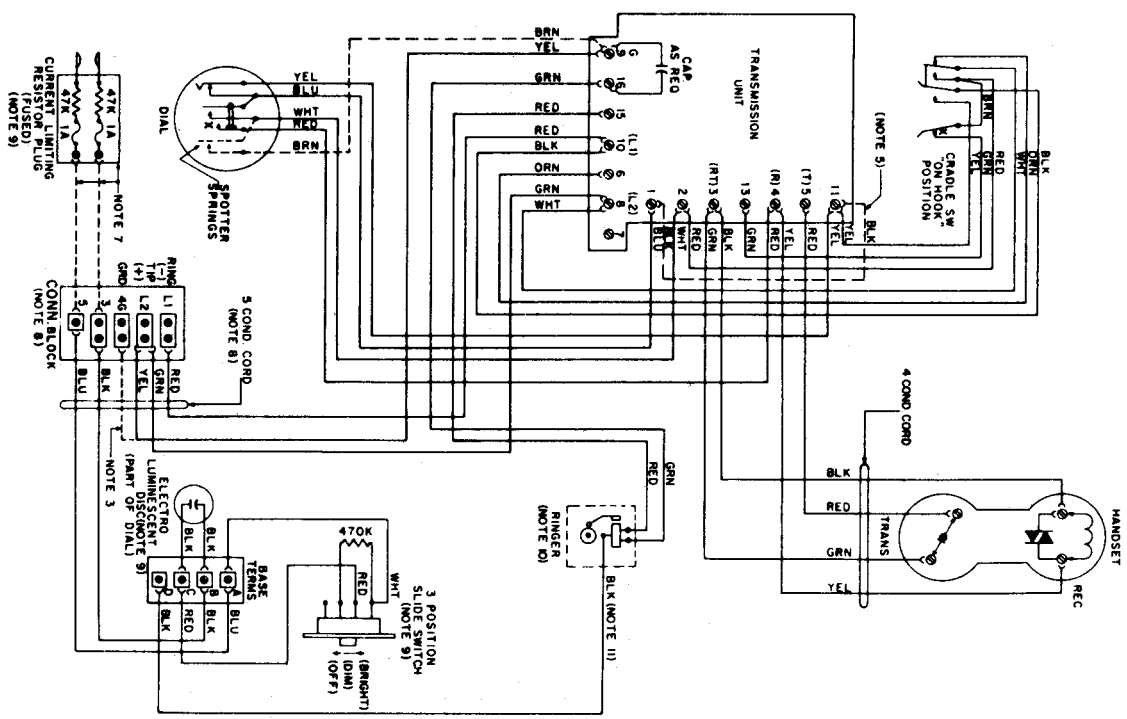


H-54566, ISSUE 4

- NOTES:
- 1- "X" CONTACTS TO BREAK LAST.
 - 2- IF BELL TAPPING IS ENCOUNTERED WHEN DIALING FROM ANOTHER TELEPHONE ON THE LINE, REVERSE RINGER CONNECTIONS AT TERMINALS 13 AND 16 OF TRANSMISSION UNIT.
 - 3- WITH STANDARD DIAL, WIRING OF DESK PHONE AT CONNECTING BLOCK SHOWN FOR METALLIC (BRIDGED) RINGING. WIRING OF WALL PHONE COMPONENTS AT TRANSMISSION UNIT IS SHOWN FOR GROUNDED (DIVIDED) RINGING.
 - 4- WHEN SA TT DIALS ARE USED DO NOT REVERSE LINE (INTERIOR) WIRES.
 - 5- IF NO DIAL IS USED STRAP TERMINAL 11 TO TERMINAL 1 OF TRANSMISSION UNIT.
 - 6- WHEN MESSAGE WAITING LAMP IS USED, CONNECT ACROSS TERMINALS 8 AND 10 OF TRANSMISSION UNIT.
 - 7- THE UNDERWRITER'S LISTED CURRENT LIMITING PLUG USED WITH THIS CIRCUIT REQUIRES THE USE OF WIRE NO SMALLER THAN #22 AMERICAN WIRE GAUGE HAVING TYPICAL CHARACTERISTICS SIMILAR TO ALUMINUM COPPER CLAY WIRE (SEE UNDER WIRE, CATALOGUE NUMBER S-7923 OR S-7938).
 - 8- LINE CORD AND CONNECTING BLOCK PROVIDED WITH DESK INSTRUMENT ONLY.
 - 9- ELECTROLUMINESCENT DISC, 3 POSITION SLIDE SWITCH AND CURRENT LIMITING INSTRUMENTS ONLY.
 - 10- RINGER NORMALLY SHIPPED LOOSE.
 - 11- BLACK RINGER LEAD IS NOT REQUIRED. ANY RINGER LEADS AND IS THEREFORE STORED AT TERMINAL 10 OF THE TELEPHONE BASE.



Type 182A Telephone Set (NB-820 Series) Equipped with Rotary Dial, Schematic and Wiring Diagrams.