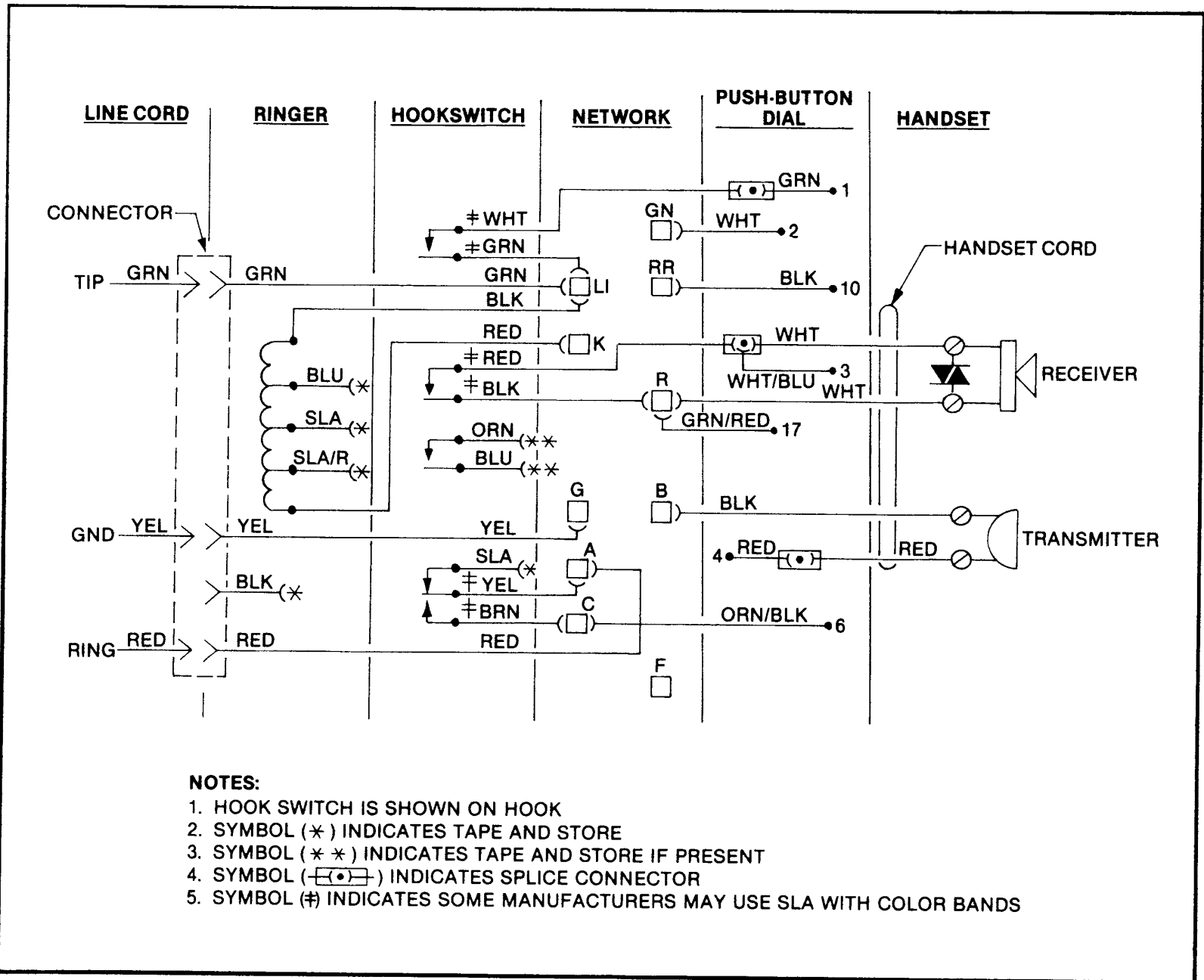


Push-button Dial Wiring Diagram



NOTES:

1. HOOK SWITCH IS SHOWN ON HOOK
2. SYMBOL (*) INDICATES TAPE AND STORE
3. SYMBOL (**) INDICATES TAPE AND STORE IF PRESENT
4. SYMBOL (⊠) INDICATES SPLICE CONNECTOR
5. SYMBOL (≠) INDICATES SOME MANUFACTURERS MAY USE SLA WITH COLOR BANDS