

MANUAL EXTENSION STATION SERVICE ON SEMI-PUBLIC COIN LINES CONNECTED TO COIN TELEPHONE SETS

1. GENERAL

1.01 This section provides installation, connections, and testing information for associating a nondial extension telephone on a semi-public coin line which terminates in a 1C/2C/1D/2D/1E-type coin telephone set.

1.02 This section is reissued to add information on the 1D/2D- and 1E-type coin telephone sets.

Since this reissue covers a general revision, arrows ordinarily used to indicate changes have been omitted.

1.03 A single manual extension station can be used with a 1C/2C-, 1D/2D-, or 1E-type coin telephone set. ***Do not use a manual extension with a 1A/2A-type coin telephone set.***

1.04 Either a wall or desk-type telephone specially modified by the Service Center must be used as the extension station instrument. A desk-type set can be ordered as a "Set, Telephone, 500C-(plus suffix color code), modified per D-180405". A wall-type set can be ordered as a "Set, Telephone, 554A-(plus suffix color code), modified per D-180406".

1.05 Only one extension station plus one external ringer can be used with a coin telephone set.

2. INSTALLATION

2.01 Since the special D-kit applique circuit installed in and operated by the extension station is associated with the ring side of the line, it is necessary to bridge the ring lead of the incoming CO line on the L1 terminal of the coin phone and extend it from there to the extension station and back before connecting it on the R terminal of

the coin chassis (Fig. 1). A loose 814313920 screw is furnished with the D-kit equipped extension station for the L1 network terminal. This screw is not required for a 1D/2D set.

2.02 The tip side of the coin line is extended from the T terminal in the coin set to the extension set location over one of two paired wires. The other half pair lead is deadended at both ends to provide capacitance balance.

2.03 The coin signaling ground should not be extended beyond its normal G termination in the coin telephone set.

2.04 When using the extension set with a 1D/2D- or 1E-type coin telephone set, move the (G) lead from terminal 2 on the printed circuit board to terminal 5 (Fig. 2).

2.05 In the coin telephone set, transfer the (R) ringer lead from TB1-R to L1.

2.06 An 11A card holder is available for adding an additional instruction card to the top of a 1-type coin telephone set. Installation instructions are provided with each card holder. Install as necessary.

3. CONNECTIONS

3.01 Fig. 1 illustrates connections to the coin telephone set, manual extension station and, when provided, an optional station busy visual signal which will indicate when the extension station is off-hook.

3.02 Fig. 2 shows internal connections of the D-kit equipped manual extension sets.

NOTICE

Not for use or disclosure outside the
Bell System except under written agreement

4. STATION TESTS

4.01 After extension station is installed and before instructing customer in its use, verify with the test desk (or operator) that the extension station can not talk or monitor on any call originated or answered at the coin telephone station **before** the extension station goes off-hook.

4.02 Verify with the testdesk (or operator) and the customer that the coin telephone user can participate on an incoming call **after** it has been answered at the extension station.

4.03 With both coin telephone and extension station off-hook and conversing on an incoming call (as per 4.02), momentarily operate line switch at extension station. Verify that cutoff takes place and no further conversation is possible on that call from the extension station location.

4.04 When an extension set is connected to a 1C/2C-type coin telephone set, have testdesk (or operator) initiate incoming call to station line under test. Answer call at extension station. Leave handset off-hook.

- (1) Go off-hook at coin telephone set. Deposit initial rate. Totalizer steps off-normal.
- (2) Transmission may be cut off or impaired. Coin(s) fall into hopper, onto coin trap.
- (3) Momentarily depress pushbutton on extension station set.
 - Totalizer steps back. Transmission returns to normal.
- (4) Hang up handset at extension station. Request refund of initial rate deposit. Hang up coin station handset.
 - Coin(s) returned.

4.05 When provided, verify that station busy visual signal indicator operates whenever the extension station goes off-hook.

5. CUSTOMER INSTRUCTIONS

5.01 Install appropriate customer instruction tag or sign at coin telephone location signifying that: nearby extension station can answer incoming calls on this line, and that if conversation is heard on the line when attempting to initiate call COIN DEPOSITS SHOULD NOT BE MADE. Instead, carefully hang up handset. Wait several minutes before trying again.

Note: Use an 11A card holder, if required, to support the customer instruction tag at the coin set (2.06).

5.02 A 7/8 by 3-1/4 inch customer instruction label (840390876) is furnished with each D-kit of parts (extras can be ordered separately) and should be installed approximately 1/8-inch below dial apparatus blank on a desk set or approximately 1/2-inch below dial apparatus blank on a wall set. The label reads as follows:

NOTICE: If someone tries to use coin phone or deposit coins while you are talking, ask that person hang up until your call is ended. PUSH BUTTON on this phone momentarily to prevent cutoff.



It is recommended that the customer or extension station user participate with the craftsperson in running through operational verification (4.02, 4.03, and 4.04) so that the customer-user can become familiar with both the coin station and extension station operating features involved.

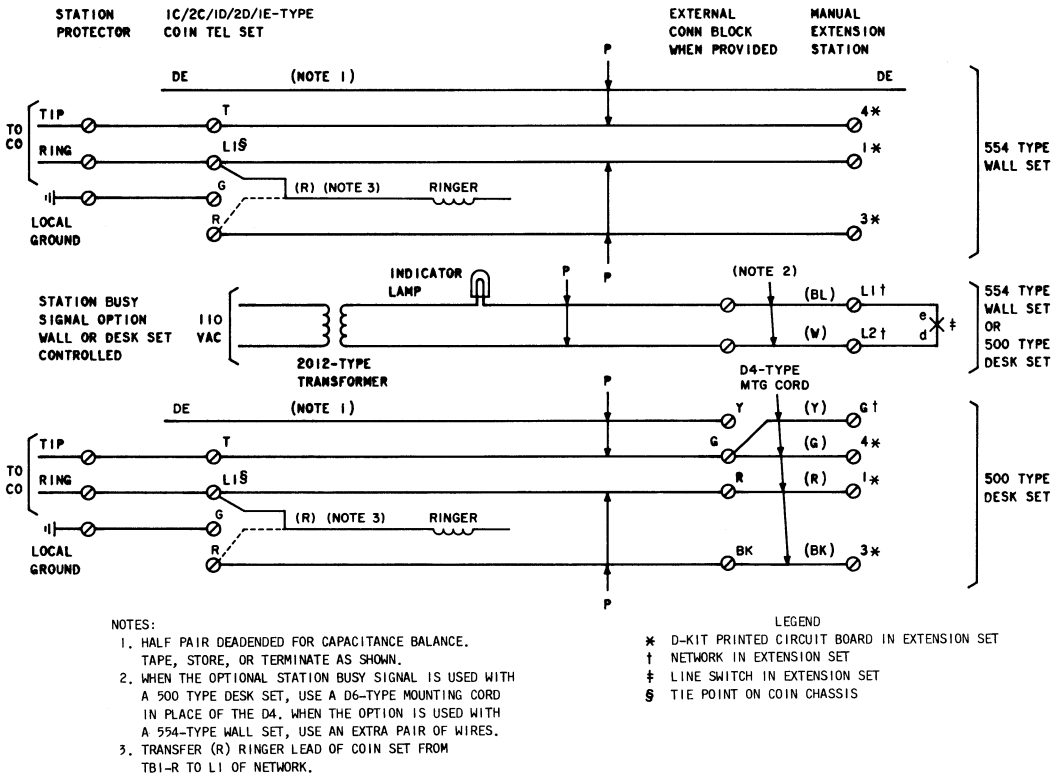
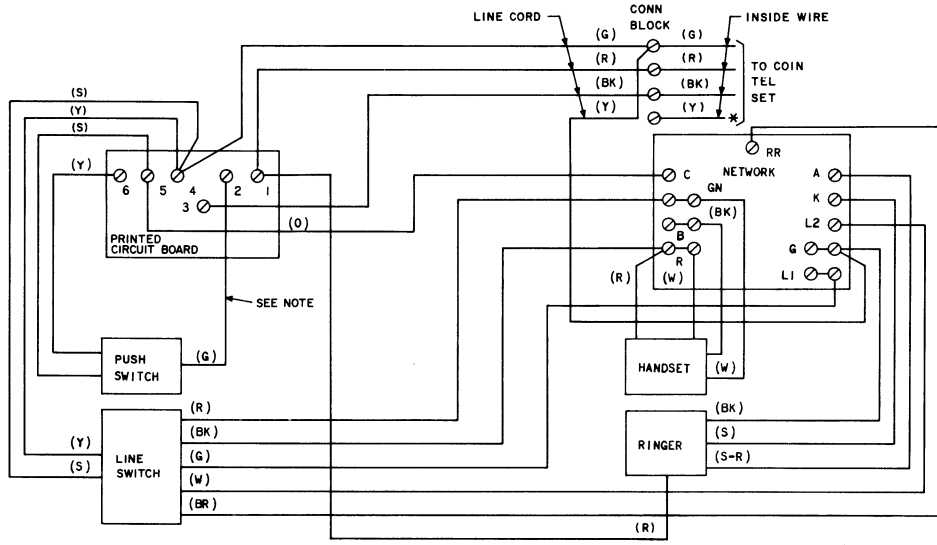
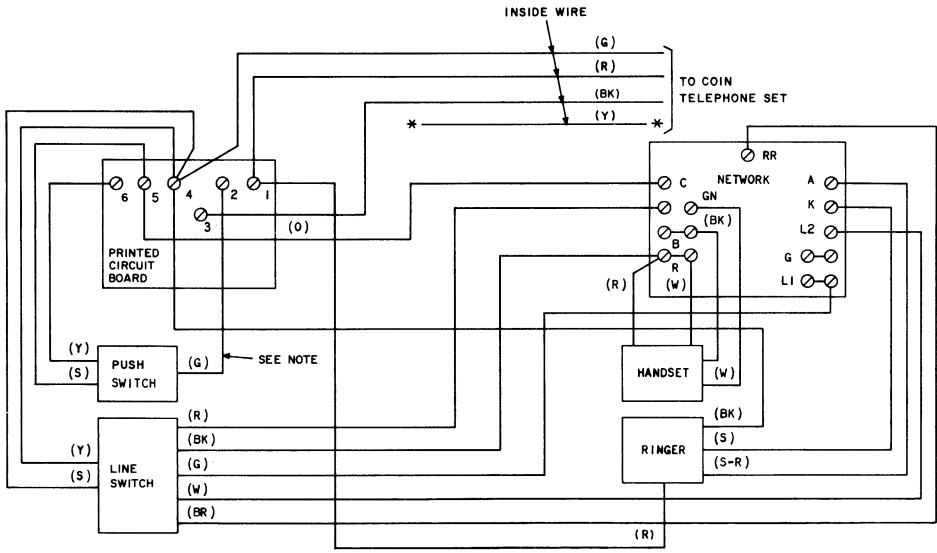


Fig. 1—Connections for Manual Extension Station Service With Station Busy Signal Option in Association With Semi-Public Coin Telephone Set



VIEW A-MODIFIED 500C TELEPHONE SET



VIEW B-MODIFIED 554-TYPE WALL TELEPHONE SET

* INSULATE AND STORE

NOTE:
WHEN USING THE EXTENSION SET WITH A ID/2D-OR IE-TYPE COIN TELEPHONE SET, MOVE THE (G) LEAD FROM TERM. 2 OF THE PRINTED CIRCUIT BOARD TO TERM. 5.

Fig. 2—Manual Extension Stations for Use With Coin Telephone Set