

## **HAND SET MOUNTINGS**

### **A, B, C, D, E AND G TYPES**

### **TESTS AND ADJUSTMENTS**

#### **1. GENERAL**

1.01 This addendum supplements the information contained in Section C32.375 to outline the method of attaching KS-8035 friction pads to the bases of B and D type hand set mountings to prevent slipping of the mounting during dialing.

1.02 These pads should be attached to the dial hand set mounting wherever it appears that the mounting turns when the subscriber uses the dial.

#### **2. ATTACHING FRICTION PADS**

2.01 The approximate locations on the hand set mounting base at which the friction pads per KS-8035 shall be attached are indicated in Figs. 1 and 2.

2.02 The friction pads will not adhere to damp or oily surfaces. Before placing the pads in position on the base, clean surface of base with a clean dry cloth. If there is an accumulation of oily or gritty deposits on the base, remove these with an eraser or emery paper or brush off with a stiff brush. If used carefully, a file or other edged tool may serve to remove the deposits. Scrape surface lightly with the edge of the tool so as not to injure the base covering.

2.03 Peel off the protective covering from the adhesive on the pad and then press the pad firmly into place on the base with the thumb or heel of the hand.

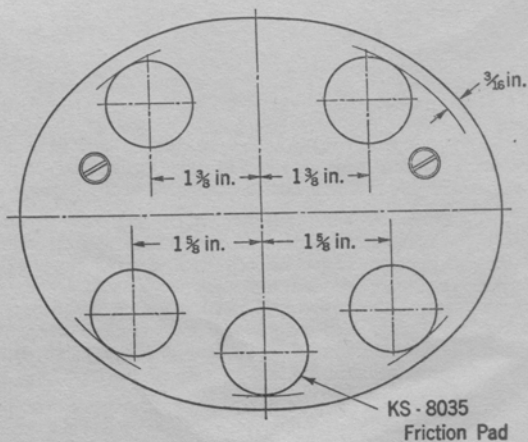


Fig. 1—D Type Hand Set Mounting.

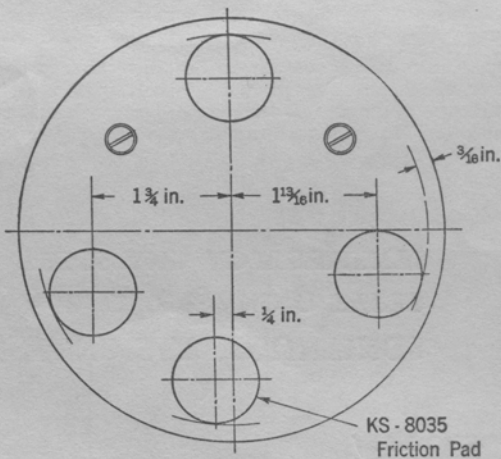


Fig. 2—B Type Hand Set Mounting.